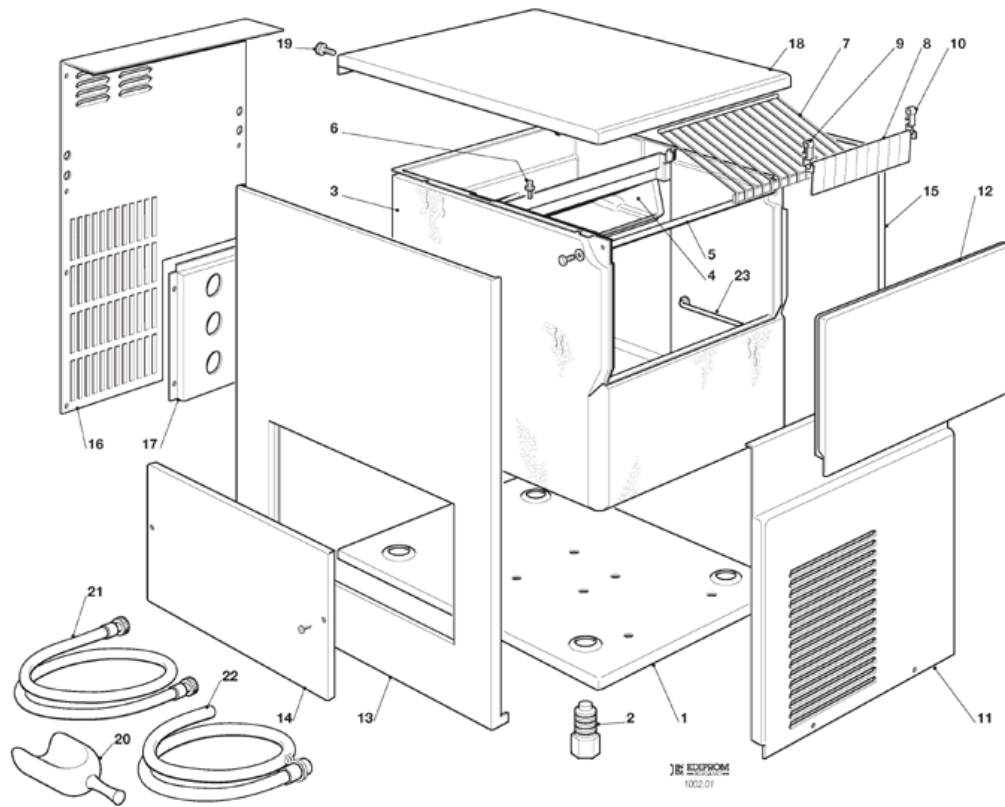
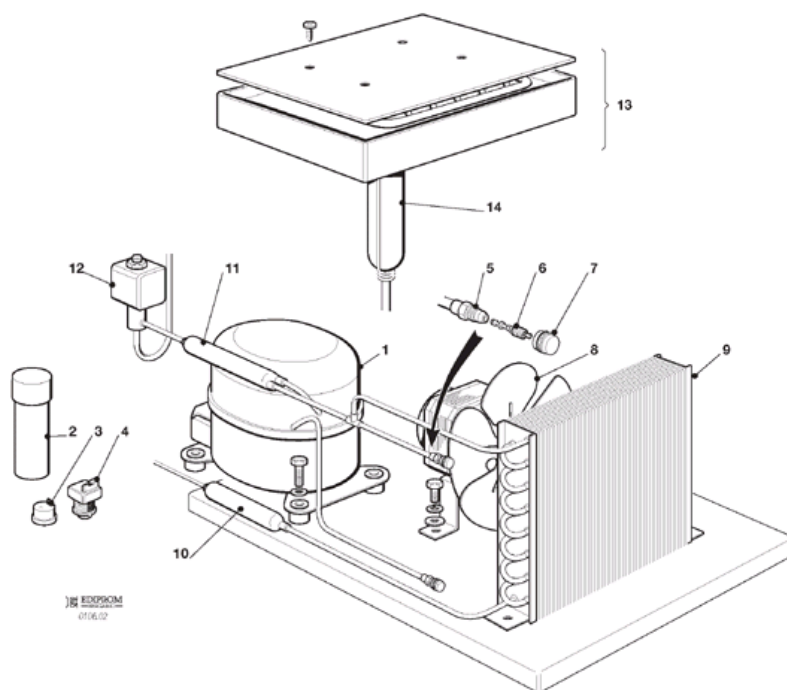


- 1 - UNIT PANELS
- 2 - REFRIGERANT SYSTEM AIR COOLED - UP TO S.N. 01422
- 3 - REFRIGERANT SYSTEM AIR COOLED - FROM S.N. 01423
- 4 - REFRIGERANT SYSTEM WATER COOLED - UP TO S.N. 01422
- 5 - REFRIGERANT SYSTEM WATER COOLED - UP TO S.N. 01422 - FROM S.N. 01423
- 6 - WATER SYSTEM
- 7 - CONTROL BOX



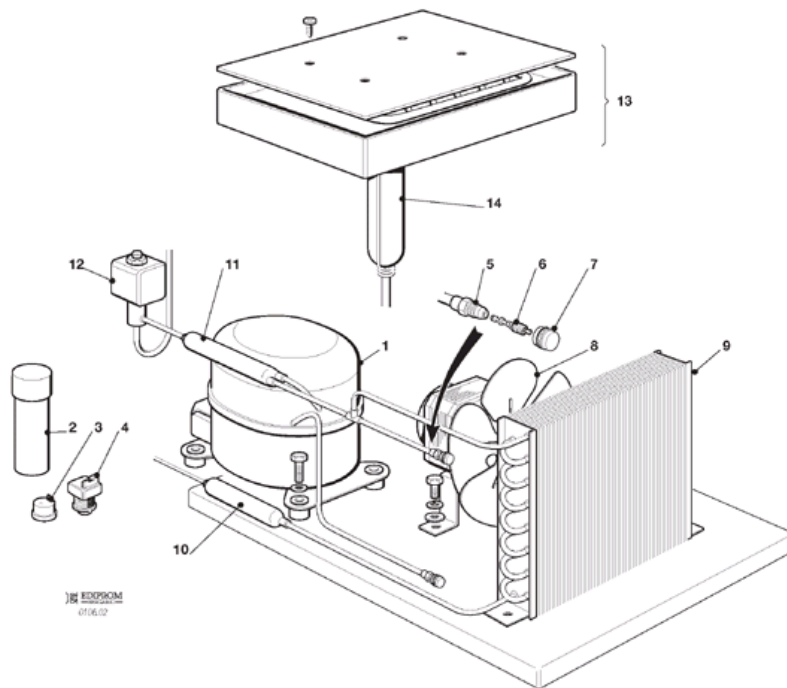
POSITION	CODE	DESCRIPTION
0001	702509 00	BASE
0002	650382 01	LEG
0003	782109 00	INSULATED BIN ASSY
0004	660627 02	EVAPORATOR HOUSING
0005	732016 06	BIN DOOR BRACKET
0006	650790 00	PIVOT
0007	650705 00	CUBE CHUTE
0008	783171 00R	CURTAIN ASSY
0009	660388 00	CURTAIN BRACKET (RIGHT)
0010	660388 01	CURTAIN BRACKET (LEFT)
0011	722466 00	FRONT PANEL
0012	660766 05	BIN DOOR
0013	721834 00	LEFT SIDE PANEL
0014	702026 02	SERVICE PANEL
0015	721833 01	RIGHT SIDE PANEL
0016	702507 00	REAR PANEL
0017	702526 00	METAL BRACKET FOR FITTING
0018	781432 00R	TOP PANEL
0019	650806 00	THUMB SCREW
0020	650071 00	SCOOP
0021	060513 00	TUBE
0022	060513 01	DRAIN TUBE KIT
0023	732017 07	BULB HOLDER



Scotsman² - REFRIGERANT SYSTEM AIR COOLED - UP TO S.N. 01422

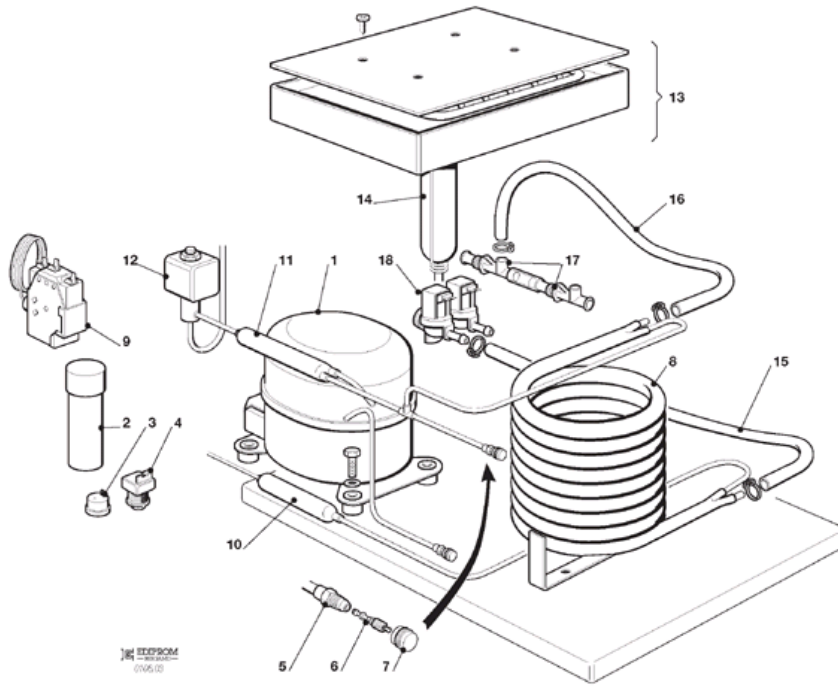
POSITION	CODE	DESCRIPTION
0001	670097 08	COMPRESSOR
0002	EMB 2252347	CAPACITOR - 230/50/1
0003	CUB 102320	PROTECTOR - 230/50/1
0004	CUB 405172	RELAY - 230/50/1
0005	650109 00	VALVE BODY
0006	670012 00	VALVE CORE
0007	650106 00	CAP
0008	620419 02	FAN MOTOR - 230/50-60
0008	620419 32	FAN BLADE
0009	620285 00	CONDENSER
0010	630003 05	DRIER
0011	630020 01	STRAINER
0012	620306 14	HOT GAS VALVE BODY
0012	620306 48	COIL - 230/50-60
0013	784619 00	EVAPORATOR ASSY
0014	784444 07	ACCUMULATOR ASSY

Scotsman[®] 3 - REFRIGERANT SYSTEM AIR COOLED - FROM S.N. 01423



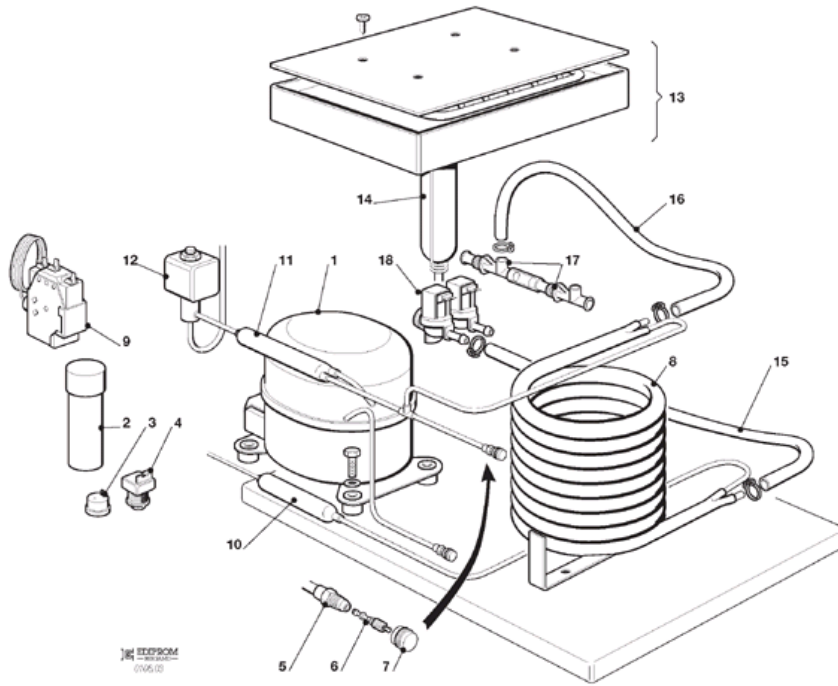
Scotsman[®] - REFRIGERANT SYSTEM AIR COOLED - FROM S.N. 01423

POSITION	CODE	DESCRIPTION
0001	670101 11	COMPRESSOR 230/50/1
0002	EMB 2252347	CAPACITOR - 230/50/1
0003	620478 11	PROTECTOR 230/50/1
0004	620057 71	RELAY 230/50/1
0005	650109 00	VALVE BODY
0006	670012 00	VALVE CORE
0007	650106 00	CAP
0008	620419 02	FAN MOTOR - 230/50-60
0008	620419 32	FAN BLADE
0009	620285 00	CONDENSER
0010	630003 05	DRIER
0011	630020 01	STRAINER
0012	620306 14	HOT GAS VALVE BODY
0012	620306 48	COIL - 230/50-60
0013	784619 00	EVAPORATOR ASSY
0014	784444 07	ACCUMULATOR ASSY



Scotsman[®] REFRIGERANT SYSTEM WATER COOLED - UP TO S.N. 01422

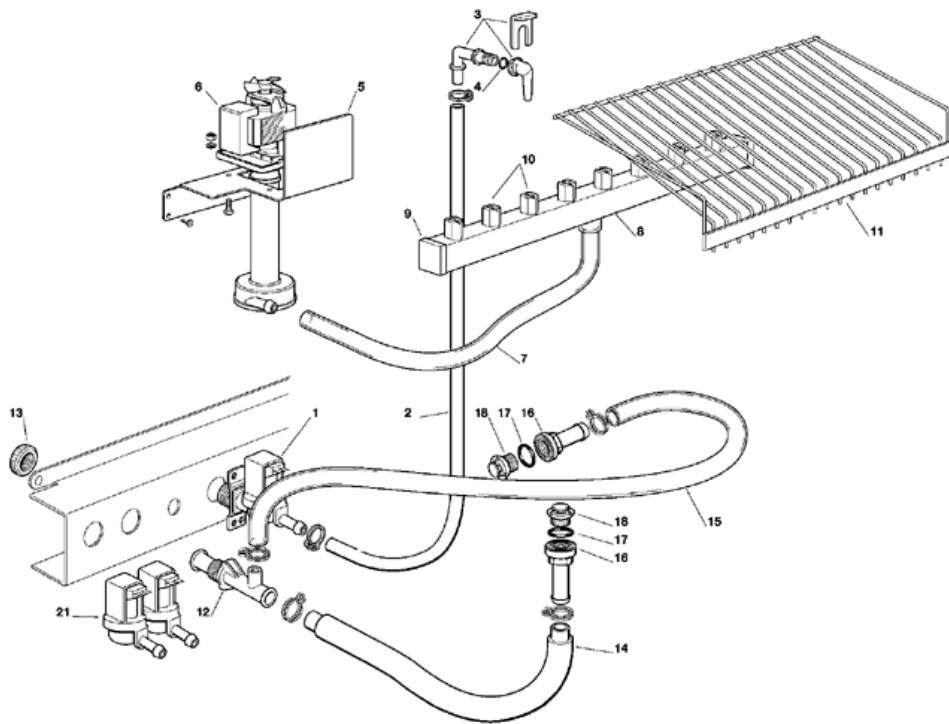
POSITION	CODE	DESCRIPTION
0001	670097 08	COMPRESSOR
0002	EMB 2252347	CAPACITOR - 230/50/1
0003	CUB 102320	PROTECTOR - 230/50/1
0004	CUB 405172	RELAY - 230/50/1
0005	650109 00	VALVE BODY
0006	670012 00	VALVE CORE
0007	650106 00	CAP
0008	620389 02	CONDENSER
0009	620499 01	PRESSURE CONTROL
0010	630003 05	DRIER
0011	630020 01	STRAINER
0012	620306 14	HOT GAS VALVE BODY
0012	620306 48	COIL - 230/50-60
0013	784619 00	EVAPORATOR ASSY
0014	784444 07	ACCUMULATOR ASSY
0015	281900 01	TUBE 16X10
0016	281900 01	TUBE 16X10
0017	660224 00	TEE TUBE
0018	650105 70	WATER INLET VALVE ASSY - 230V - WATER



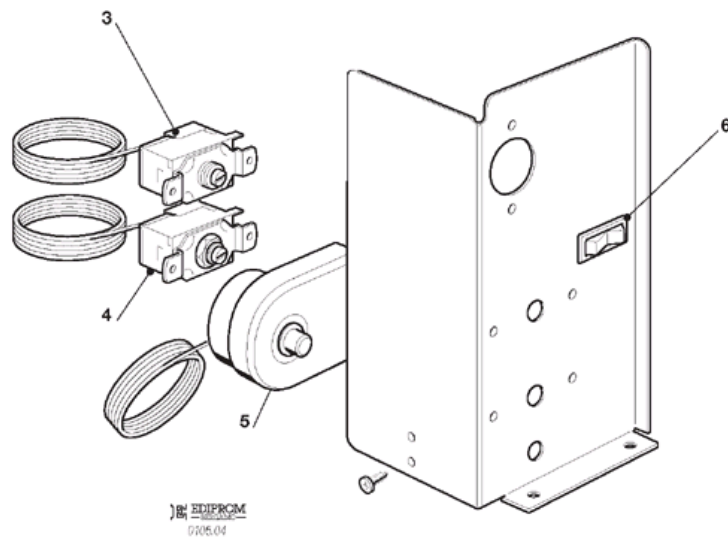


REFRIGERANT SYSTEM WATER COOLED - UP TO S.N. 01422 - FROM S.N. 01423

POSITION	CODE	DESCRIPTION
0001	670101 11	COMPRESSOR 230/50/1
0002	EMB 2252347	CAPACITOR - 230/50/1
0003	620478 11	PROTECTOR 230/50/1
0004	620057 71	RELAY 230/50/1
0005	650109 00	VALVE BODY
0006	670012 00	VALVE CORE
0007	650106 00	CAP
0008	620389 02	CONDENSER
0009	620499 01	PRESSURE CONTROL
0010	630003 05	DRIER
0011	630020 01	STRAINER
0012	620306 14	HOT GAS VALVE BODY
0012	620306 48	COIL - 230/50-60
0013	784619 00	EVAPORATOR ASSY
0014	784444 07	ACCUMULATOR ASSY
0015	281900 01	TUBE 16X10
0016	281900 01	TUBE 16X10
0017	660224 00	TEE TUBE
0018	650105 70	WATER INLET VALVE ASSY - 230V - WATER



POSITION	CODE	DESCRIPTION
0001	650105 66	WATER INLET VALVE ASSY - 230V - AIR
0002	281900 01	TUBE 16X10
0003	793172 00R	WATER INLET ELBOW ASSY
0004	640041 31	O RING
0005	724331 00	PUMP BRACKET
0006	620433 00	WATER PUMP 230/50
0006	620433 01	WATER PUMP 230/60
0007	610150 03	TUBE
0008	660665 29	SPRAY BAR
0009	660557 00	SPRAY CUP
0010	660558 00	SPRAY NOZZLE
0011	650852 00	ICE DEFLECTOR
0012	640134 00	O RING 4093
0013	660535 00	PLASTIC NUT
0014	610148 09	STORAGE BIN DRAIN
0015	610204 00	TUBE
0016	660219 02	BIN DRAIN
0017	640134 00	O RING 4093
0018	660211 01	DRAIN FILTER
0021	650105 70	WATER INLET VALVE ASSY - 230V - WATER



EDIPROM
0105.04

POSITION	CODE	DESCRIPTION
0003	620264 16	EVAP. THERMOSTAT
0004	630005 00	BIN THERMOSTAT
0005	620443 00	THERMOSTAT
0006	620442 01	SWITCH