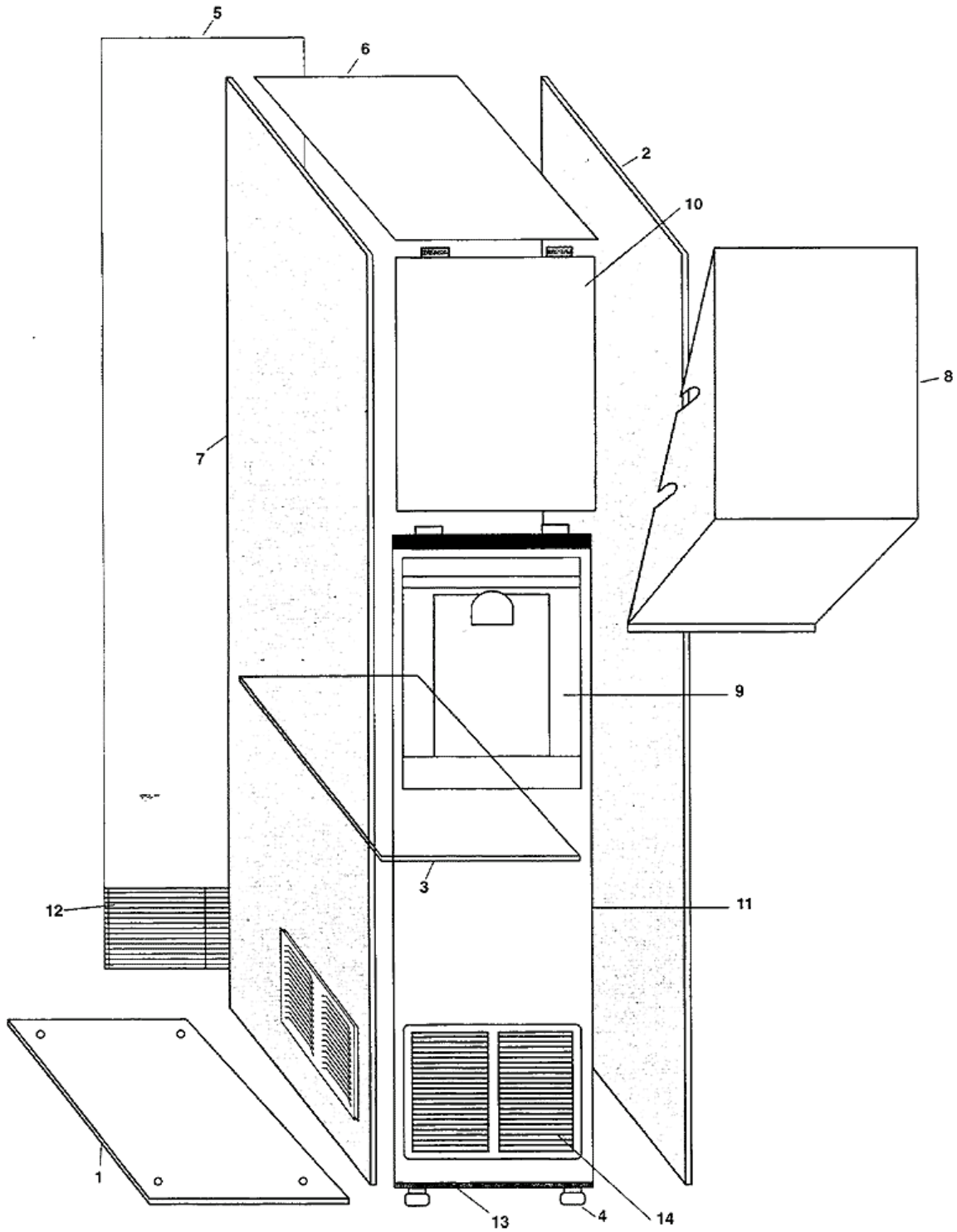


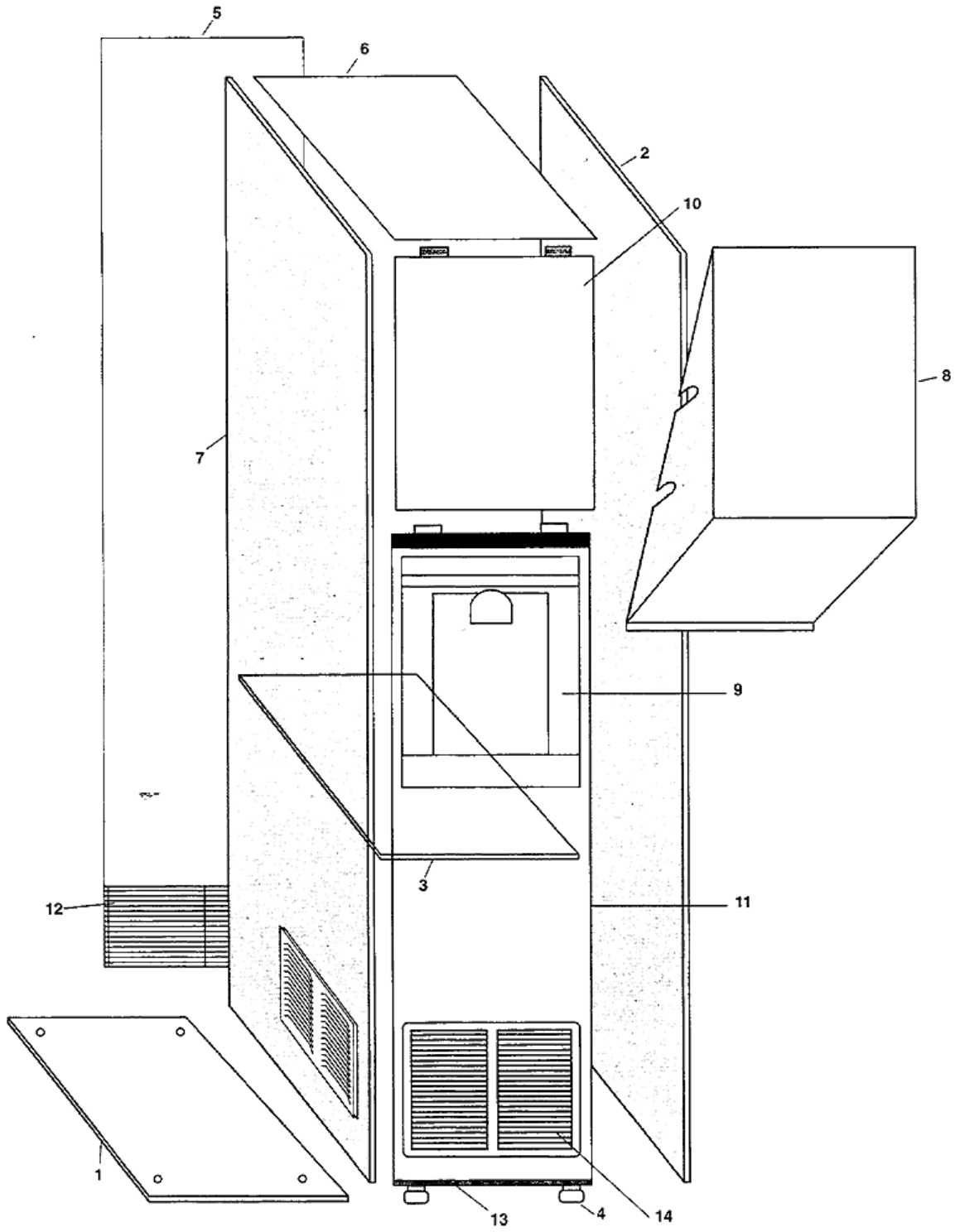
- 1 - CABINET ASSY - up to S.N.. 3355
- 2 - CABINET ASSY - from S.N. 3356
- 3 - REFRIGERANT SYSTEM AIR COOLED
- 4 - REFRIGERANT SYSTEM WATER COOLED
- 5 - WATER SYSTEM
- 6 - PC BOARD, SENSOR ASSY AND DRIVE MECHANISM



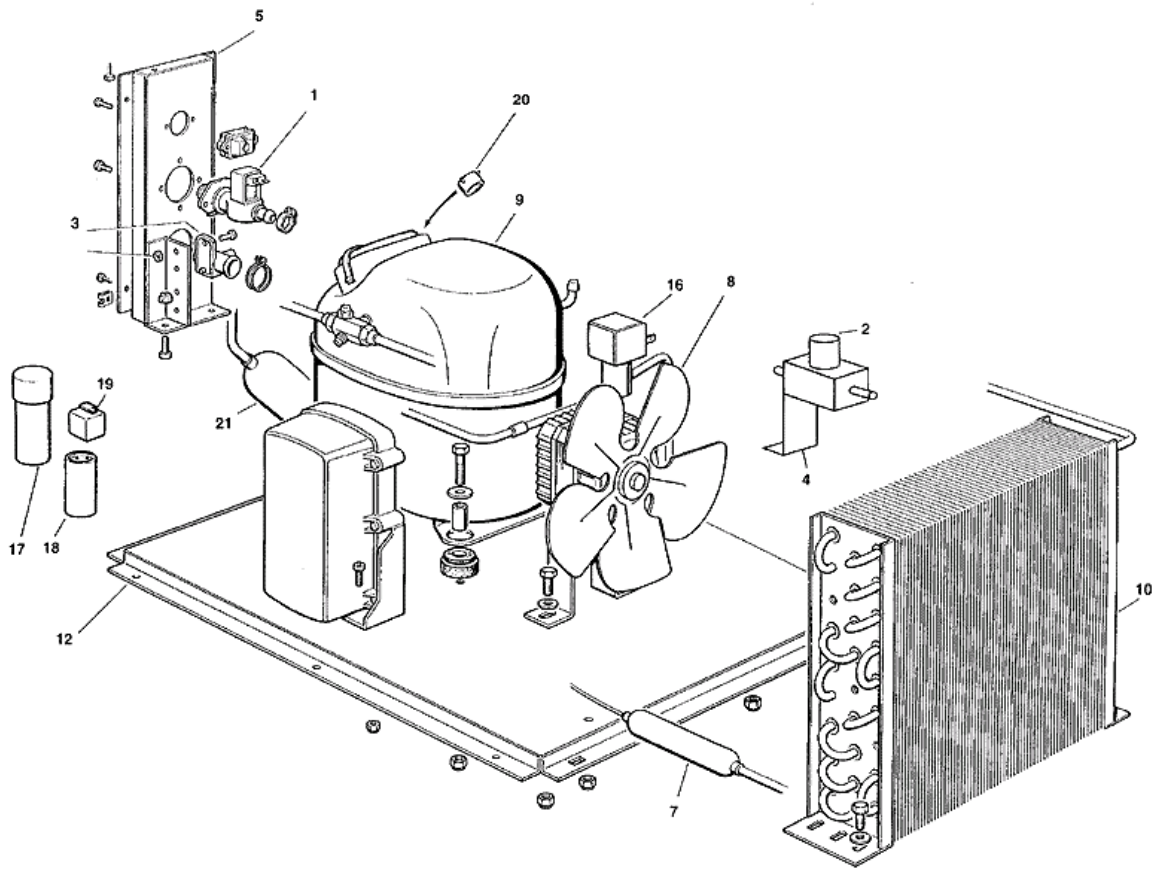


1 - CABINET ASSY - up to S.N.. 3355

POSITION	CODE	DESCRIPTION
0000	CM 19262585	SCOTSMAN LABEL
0001	CM 25115004	BASE
0002	CM 25330718	RIGHT SIDE PANEL
0002	CM 25330720	RIGHT SIDE PANEL S.S.
0003	CM 25547087	FRONT PANEL
0004	CM 81502119	LEG
0005	CM 25547083	BACK PANEL
0005	CM 25547084	S.S. BACK PANEL
0006	CM 25161070	TOP PANEL
0006	CM 25161071	TOP PANEL
0007	CM 25330719	LEFT SIDE PANEL
0007	CM 25330721	LEFT SIDE PANEL S.S.
0008	CM 25260468	DEFLECTOR
0010	CM 81401524	FRONT PANEL
0010	CM 81401559	S.S. FRONT PANEL
0011	CM 25547079	LOWER PANEL
0011	CM 25547080	S.S. LOWER PANEL
0012	CM 25380710	BACK GRID
0013	CM 25620306	PROFILE
0014	CM 25610087	FRONT LOUVERED PANEL
0014	CM 25610088	S.S. FRONT LOUVERED PANEL



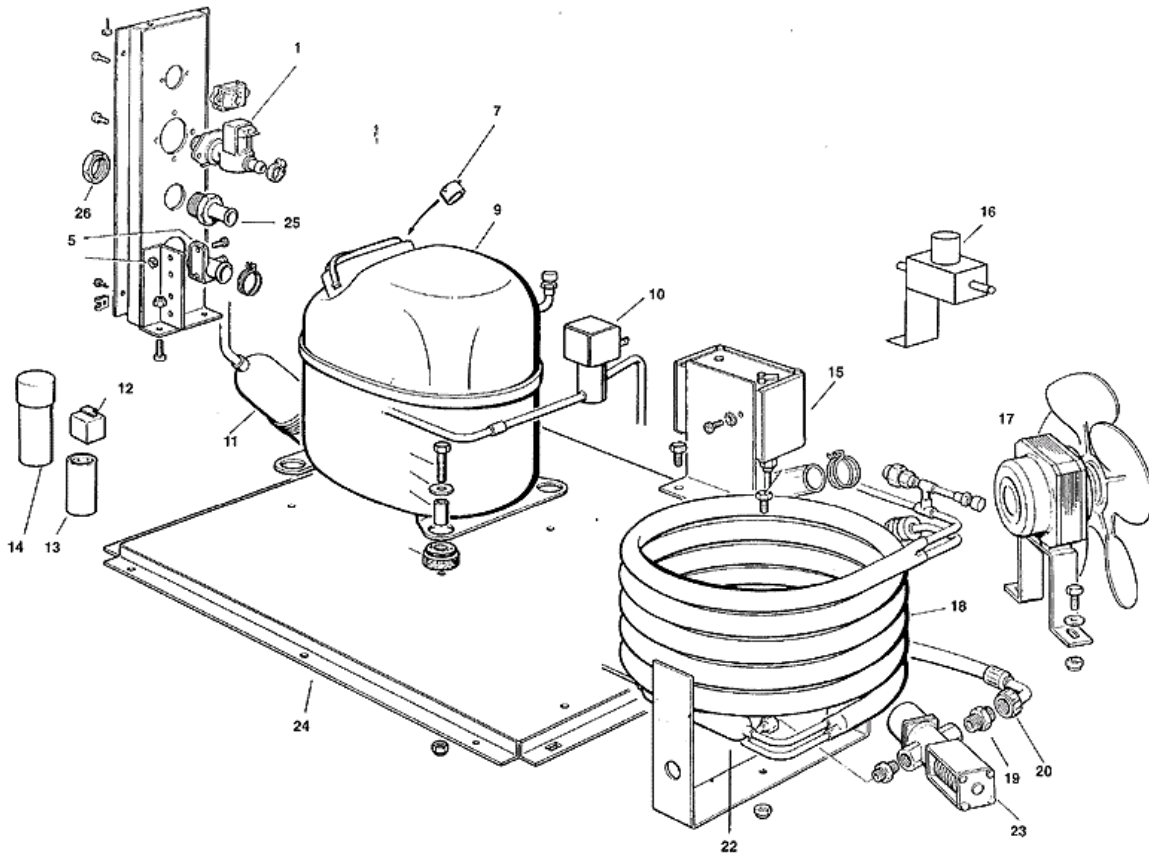
POSITION	CODE	DESCRIPTION
0000	CM 19262585	SCOTSMAN LABEL
0001	CM 25115004	BASE
0002	CM 25330718	RIGHT SIDE PANEL
0002	CM 25330720	RIGHT SIDE PANEL S.S.
0003	CM 25547087	FRONT PANEL
0004	CM 81502119	LEG
0005	CM 25547083	BACK PANEL
0005	CM 25547084	S.S. BACK PANEL
0006	CM 25161070	TOP PANEL
0006	CM 25161071	TOP PANEL
0007	CM 25330719	LEFT SIDE PANEL
0007	CM 25330721	LEFT SIDE PANEL S.S.
0008	CM 25260468	DEFLECTOR
0009	CM 81409161	DISPENSER FRAME ASSY
0010	CM 81401524	FRONT PANEL
0010	CM 81401559	S.S. FRONT PANEL
0011	CM 25547079	LOWER PANEL
0011	CM 25547080	S.S. LOWER PANEL
0012	CM 25380710	BACK GRID
0013	CM 25620336	PROFILE
0014	CM 25610087	FRONT LOUVERED PANEL
0014	CM 25610088	S.S. FRONT LOUVERED PANEL





3 - REFRIGERANT SYSTEM AIR COOLED

POSITION	CODE	DESCRIPTION
0000	CM 19550372	PRESS. CTL.
0001	650105 50	WATER IN. VALVE - 230/50-60 - AIR COOLED
0002	620460 00	WATER DRAIN VALVE
0003	CM 25690806	DRAIN FITTING
0004	CM 25726499	BRACKET
0005	CM 81418352	METAL PLATE
0007	630003 04	FILTER
0008	CM 18562498	FAN MOTOR ASSY
0008	CM 18740024	BLADE
0009	670101 00	COMPRESSOR - 230/50/1 - TECUMSEH CAE 4448 Y
0009	670101 02	COMPRESSOR 230/60/1
0010	CM 19180090	CONDENSER
0012	CM 25115005	UNIT BASE
0016	CM 19863033	HOT GAS VALVE ASSY
0018	620167 01	START CAPACITOR 64-77 MFD/330V
0019	620057 42	RELAY - 230/50 - TECUMSEH CAE 4448 Y
0019	620057 49	RELAY - 230/60
0020	620058 71	PROTECTOR - 230/50 - TECUMSEH CAE 4448 Y
0020	620058 80	PROTECTOR 230/60
0021	CM 81401537	ACCUMULATOR

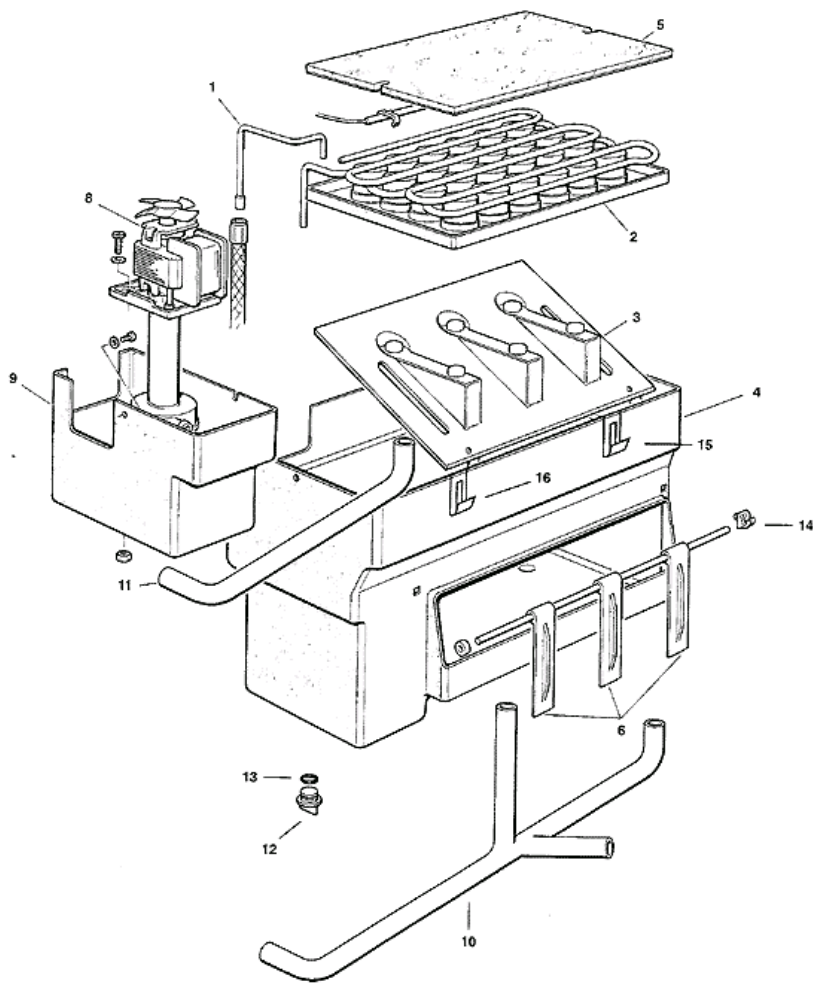




4 - REFRIGERANT SYSTEM WATER COOLED

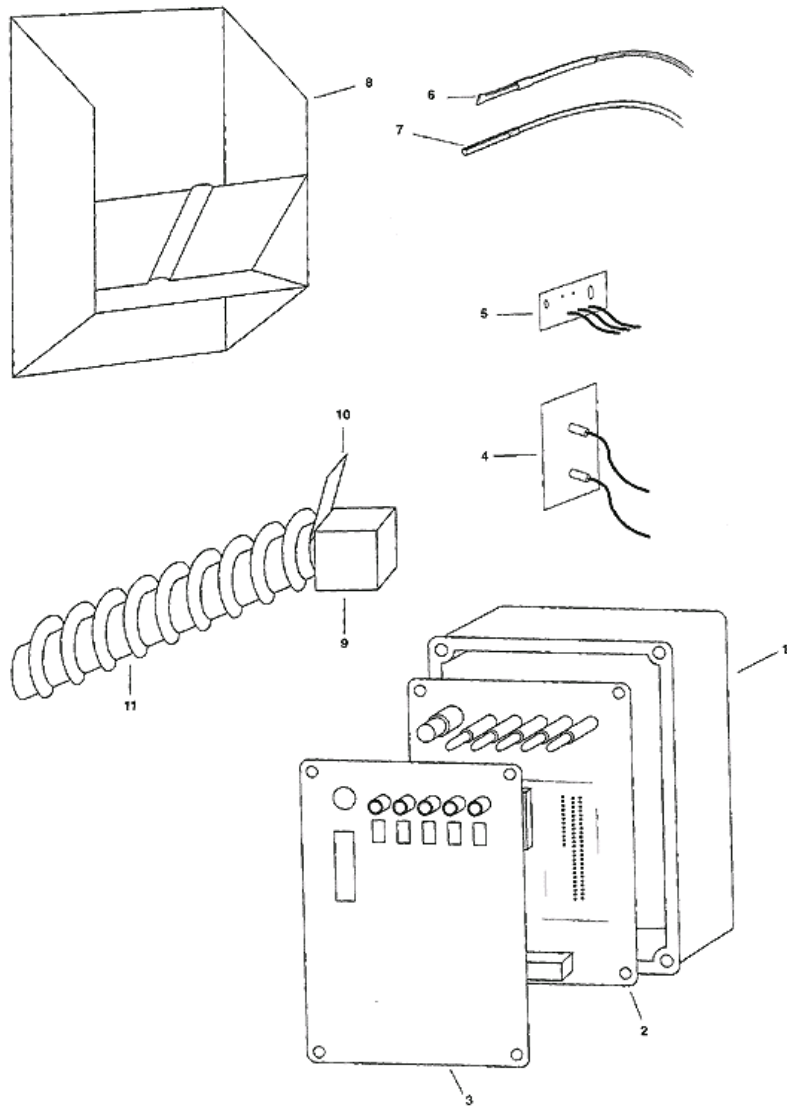
POSITION	CODE	DESCRIPTION
0001	650105 50	WATER IN. VALVE - 230/50-60 - AIR COOLED
0005	CM 25690806	DRAIN FITTING
0007	620058 71	PROTECTOR - 230/50 - TECUMSEH CAE 4448 Y
0007	620058 80	PROTECTOR 230/60
0009	670101 00	COMPRESSOR - 230/50/1 - TECUMSEH CAE 4448 Y
0009	670101 02	COMPRESSOR 230/60/1
0010	CM 19863033	HOT GAS VALVE ASSY
0011	CM 81401537	ACCUMULATOR
0012	620057 42	RELAY - 230/50 - TECUMSEH CAE 4448 Y
0012	620057 49	RELAY - 230/60
0013	620167 01	START CAPACITOR 64-77 MFD/330V
0015	CM 19550620	HI PRESSURE CONTROL
0016	620460 00	WATER DRAIN VALVE
0017	CM 18562501	MOTOR
0018	CM 81407542	CONDENSER
0019	CM 25631013	WATER INLET VALVE
0020	CM 25791299	WATER HOSE
0022	630003 04	FILTER
0023	620111 00	WATER REGUL. VALVE
0024	CM 25115005	UNIT BASE
0025	CM 25631027	DRAIN FITTING
0026	CM 25250105	NUT

5 - WATER SYSTEM



5 - WATER SYSTEM

POSITION	CODE	DESCRIPTION
0001	CM 81401528	WATER INLET TUBE
0002	784297 09	PLATEN ASSY
0003	793129 01	SPRAY SYSTEM ASSY
0004	CM 25135163	EVAP. HOUSING
0005	CM 25161075	EVAP. COVER
0006	784250 02R	CURTAIN ASSY
0008	620433 02	WATER PUMP 230/50
0008	620433 05	WATER PUMP
0009	CM 25135165	PUMP HOUSING
0011	CM 81401529	PASTIC HOSE ASSY
0013	CM 41020448	GASKET
0014	660388 01	CURTAIN BRACKET (LEFT)
0015	660388 01	CURTAIN BRACKET (LEFT)
0016	660388 00	CURTAIN BRACKET (RIGHT)



POSITION	CODE	DESCRIPTION
0002	CM 33580064	P.C. BOARD
0003	660547 01	CONTROL BOX COVER
0004	CM 33580091	TRANSMITTER
0004	CM 33580092	RECEIVER
0005	CM 33580084	LED BOARD
0006	620404 06	BIN SENSOR
0006	732017 05	BULB HOLDER
0007	CM 33580066	EVAP.TEMP. SENSOR
0008	CM 81401557	BIN ASSY CD40
0009	CM 81401520	GEAR MOTOR
0010	CM 81401522	HINGE
0011	CM 25131000	AUGER