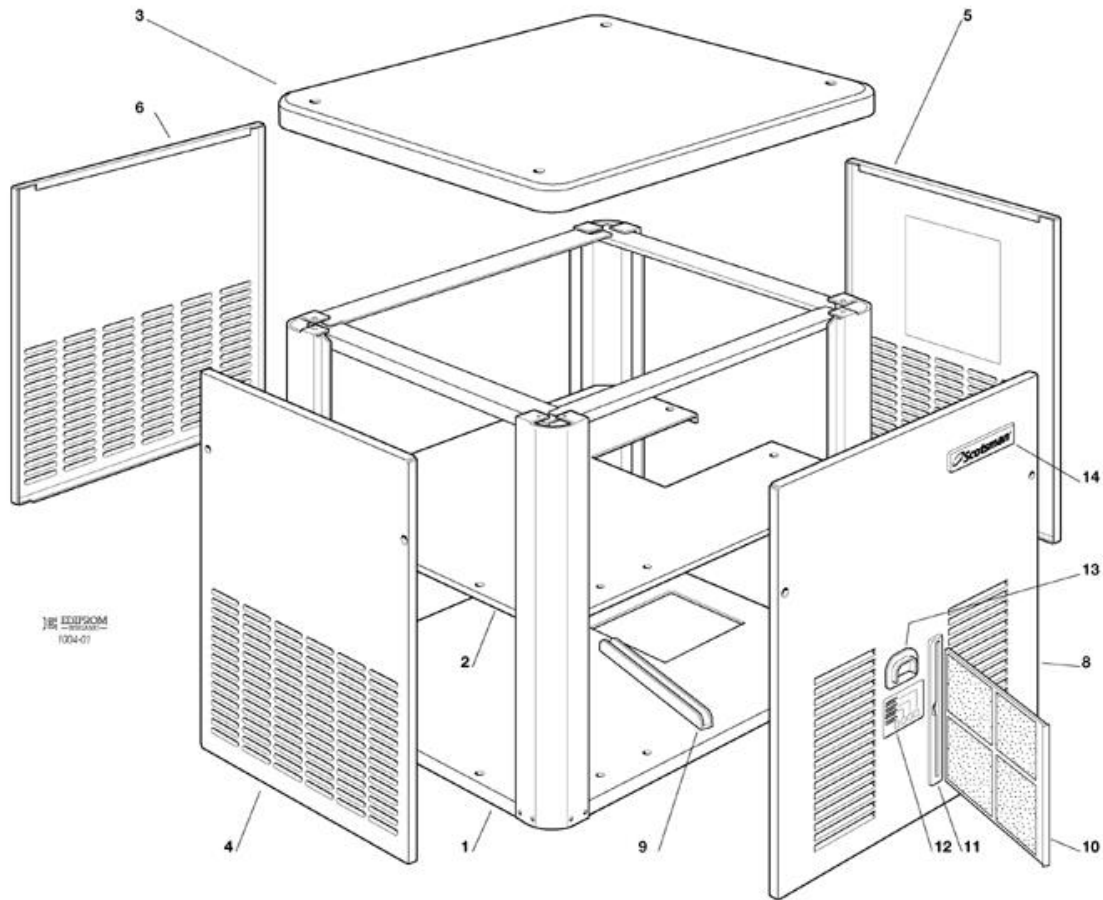
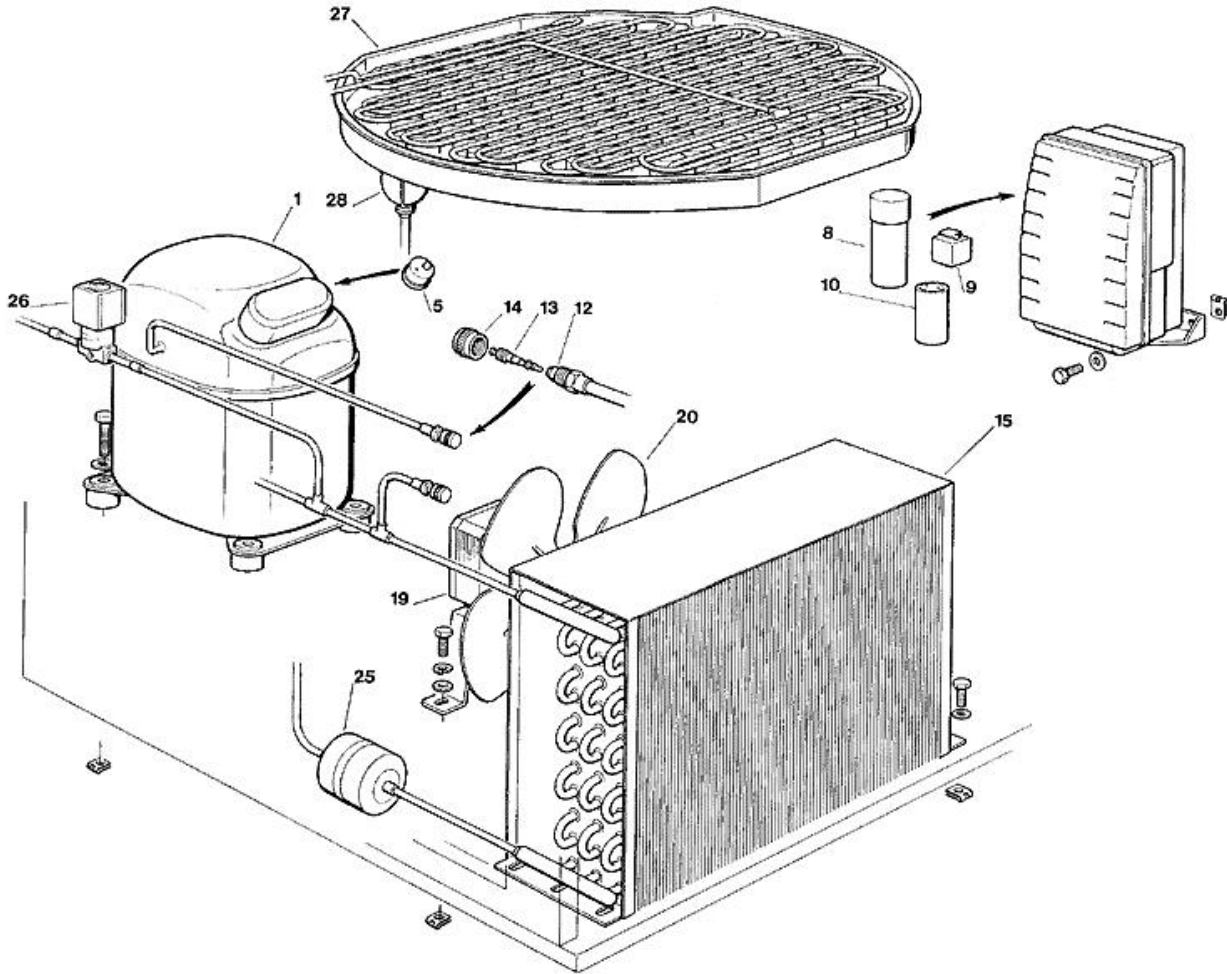


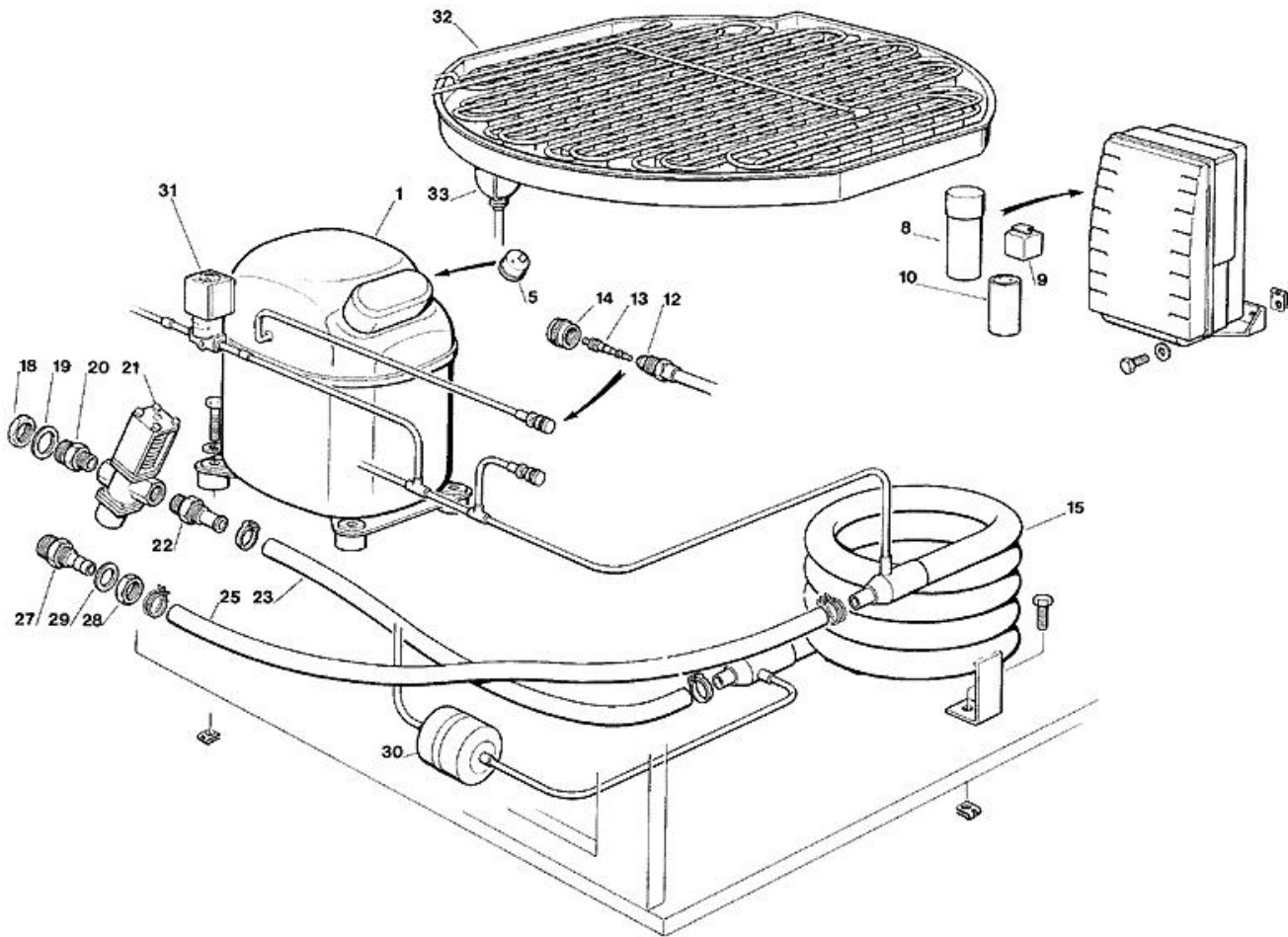
- 1 UNIT PANELS
- 2 REFRIGERANT SYSTEM AIR COOLED
- 3 REFRIGERANT SYSTEM WATER COOLED
- 4 WATER SYSTEM
- 5 P.C. BOARD AND SENSORS ASSY - UP TO S.N. 01053
- 6 P.C. BOARD AND SENSORS ASSY - FROM S.N. 01054



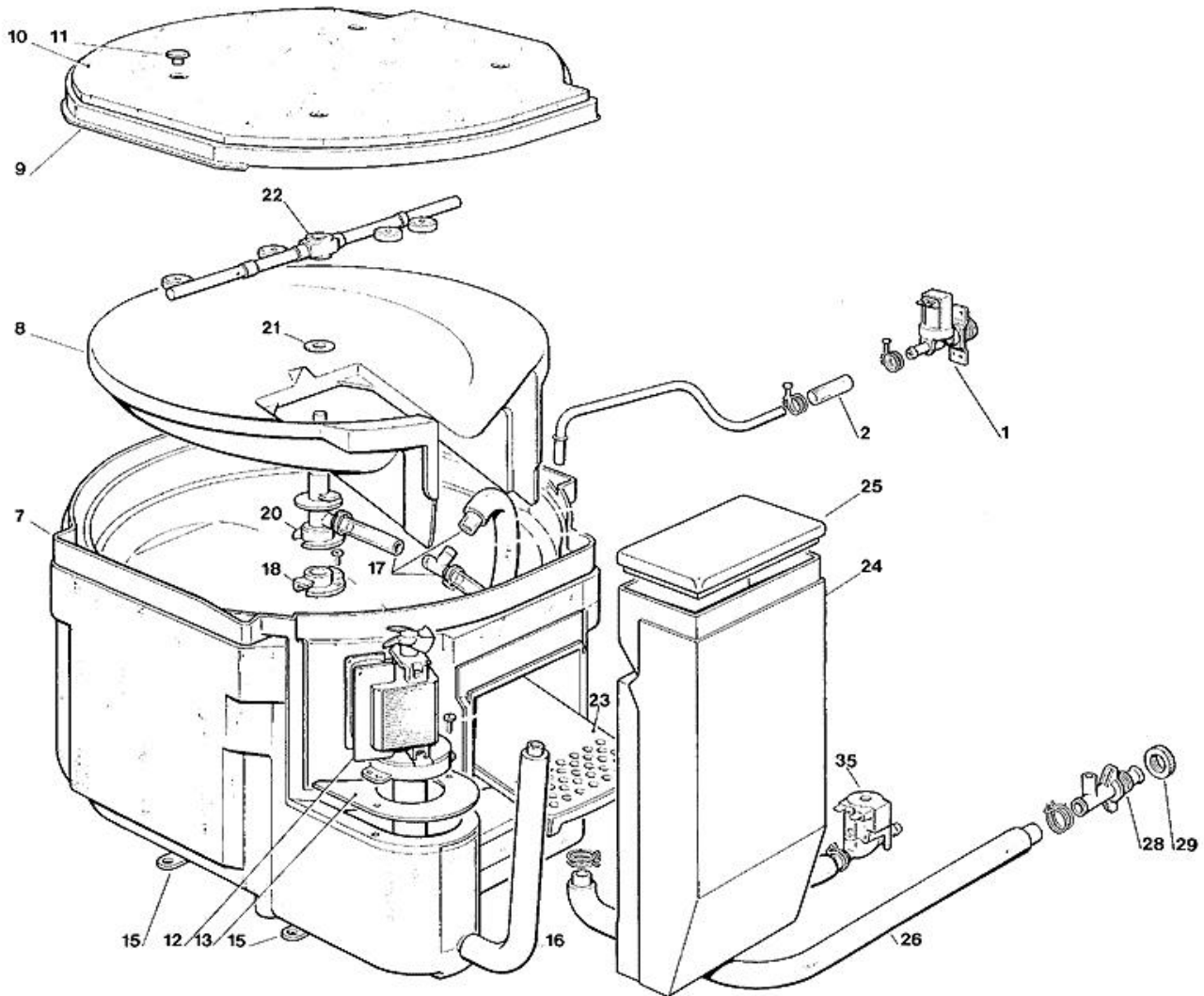
Pos	Code	Description
0001	791130 00R	UNIT FRAME
0002	702604 00	EVAPORATOR SUPPORT
0003	660974 00	TOP PANEL
0004	722444 00	LEFT SIDE PANEL
0005	722445 00	RIGHT SIDE PANEL
0006	702603 00	REAR PANEL
0008	722443 00	FRONT PANEL - AIR
0008	722443 01	FRONT PANEL - WATER
0009	660817 00	SLIDE, AIR FILTER
0010	660805 02	AIR FILTER
0011	660804 02	AIR FILTER SEAT
0012	650624 07	LABEL
0013	660829 00	FRONT SWITCH PLASTIC PROTECTION
0014	650850 00	SCOTSMAN LOGO



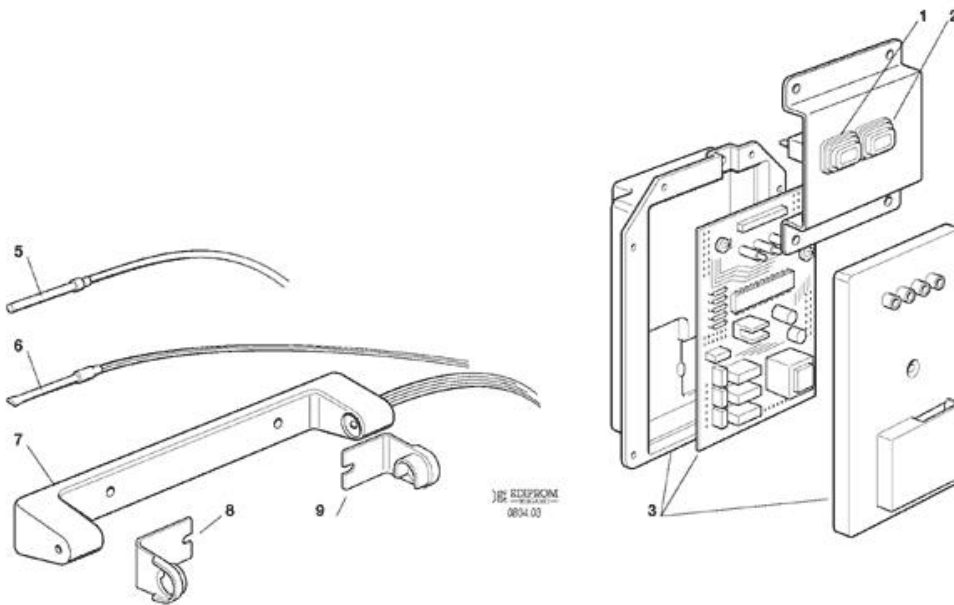
Pos	Code	Description
0001	670099 00	COMPRESSOR - 230/50/1
0001	670099 10	COMPRESSOR 230/60/1
0005	620058 76	PROTECTOR 230/50
0005	620058 82	PROTECTOR - 230/60
0008	620167 14	CAPACITOR - 230/50-60
0009	620057 41	RELAY - 230/50
0009	620057 51	RELAY - 230/60
0010	620167 00	START CAPACITOR 88-108MFD/330V
0012	650109 00	VALVE BODY
0013	670012 00	VALVE CORE
0014	650106 00	CAP
0015	620434 00	AIR COOLED CONDENSER
0019	620419 04	FAN MOTOR - 230/50-60
0019	620419 05	FAN MOTOR - 115/60
0019	620419 65	FAN MOTOR BRACKET
0020	620419 34	FAN BLADE - 50HZ
0020	620419 35	FAN BLADE - 60HZ
0025	670006 01	FILTER
0026	620306 17	COIL - 115/60
0026	620306 46	HOT GAS VALVE BODY
0026	620306 48	COIL - 230/50-60
0027	784434 02	EVAPORATOR ASSY - LARGE
0027	784435 02	EVAPORATOR ASSY - MEDIUM
0027	784436 01	EVAPORATOR ASSY - SMALL
0028	784702 01R	SUCTION LINE ASSY



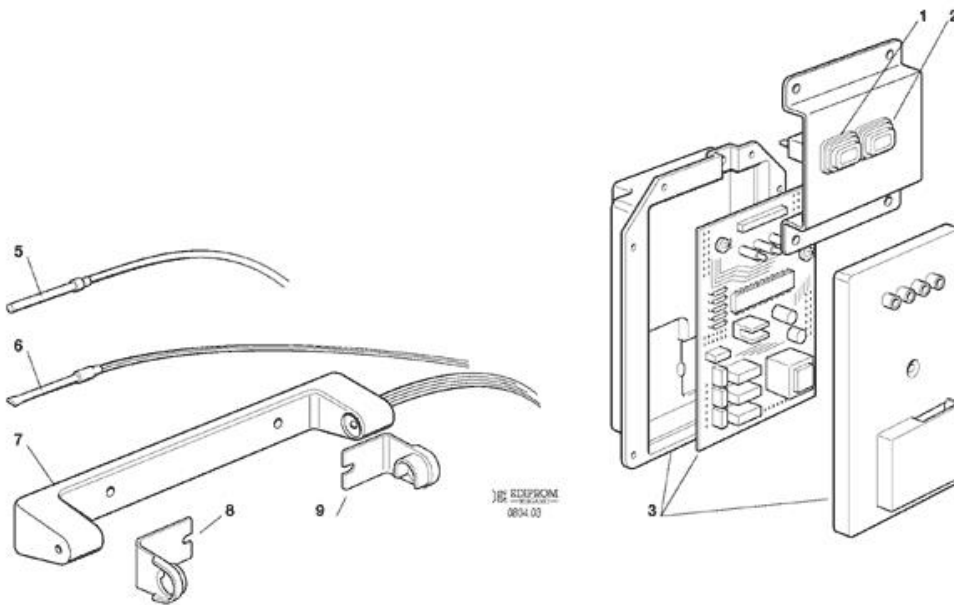
Pos	Code	Description
0001	670099 00	COMPRESSOR - 230/50/1
0001	670099 10	COMPRESSOR 230/60/1
0005	620058 76	PROTECTOR 230/50
0005	620058 82	PROTECTOR - 230/60
0008	620167 14	CAPACITOR - 230/50-60
0009	620057 41	RELAY - 230/50
0009	620057 51	RELAY - 230/60
0010	620167 00	START CAPACITOR 88-108MFD/330V
0012	650109 00	VALVE BODY
0013	670012 00	VALVE CORE
0014	650106 00	CAP
0015	620495 00	WATER COOLED CONDENSER
0018	400053 00	NUT
0019	400031 01	WASHER
0020	733205 04	WATER INLET FITTING
0021	620111 00	WATER REGUL. VALVE
0022	733208 02	COUPLING
0023	281900 03	TUBE 18X12
0025	281900 03	TUBE 18X12
0027	733204 00	WATER INLET FITTING
0028	400030 01	NUT
0029	400031 00	WASHER
0030	670006 01	FILTER
0031	620306 17	COIL - 115/60
0031	620306 46	HOT GAS VALVE BODY
0031	620306 48	COIL - 230/50-60
0032	784434 02	EVAPORATOR ASSY - LARGE
0032	784435 02	EVAPORATOR ASSY - MEDIUM
0032	784436 01	EVAPORATOR ASSY - SMALL
0033	784702 01R	SUCTION LINE ASSY



Pos	Code	Description
0001	650105 54	INLET VALVE - 230/50 - 60
0002	281900 04	TUBE
0007	784344 00R	SUMP & FREEZING CHAMBER
0008	660487 01	INNER BOTTOM
0009	660491 00	EVAPORATOR COVER
0010	650538 00	INSULATION
0012	620430 00	WATER PUMP 230/50
0012	620430 02	WATER PUMP 230/60
0013	723132 03	S.S. PUMP BRACKET
0015	660489 00	BRACKET
0016	610148 10	TUBE
0017	610188 00	TUBE
0018	660483 00	PLASTIC FLANGE
0020	660475 00	BEARING
0021	440013 06	TRUST WASHER
0022	793127 00	SPRAY BAR
0023	660488 01	MOBILE INNER BOTTOM
0024	660477 04	ICE CHUTE
0025	660477 02	CHUTE COVER
0026	610167 00	TUBE
0028	660224 00	TEE TUBE
0029	660535 00	PLASTIC NUT
0035	620460 00	WATER DRAIN VALVE



Pos	Code	Description
0001	620487 01	WARNING LIGHT - RESET BUTTON
0002	620487 00	MASTER LIGHTED SWITCH
0003	060711 00	PC BOARD KIT
0005	620404 10	EVAPORATOR SENSOR
0006	620404 11	CONDENSER SENSOR
0007	650674 00	ICE LEVEL CONTROL



Pos	Code	Description
0001	620487 01	WARNING LIGHT - RESET BUTTON
0002	620487 00	MASTER LIGHTED SWITCH
0003	620462 11	PC BOARD
0003	630015 15	FUSIBLE - T6.4A-250V
0005	620519 01	EVAPORATOR SENSOR
0006	620519 04	CONDENSER SENSOR
0007	650674 00	ICE LEVEL CONTROL