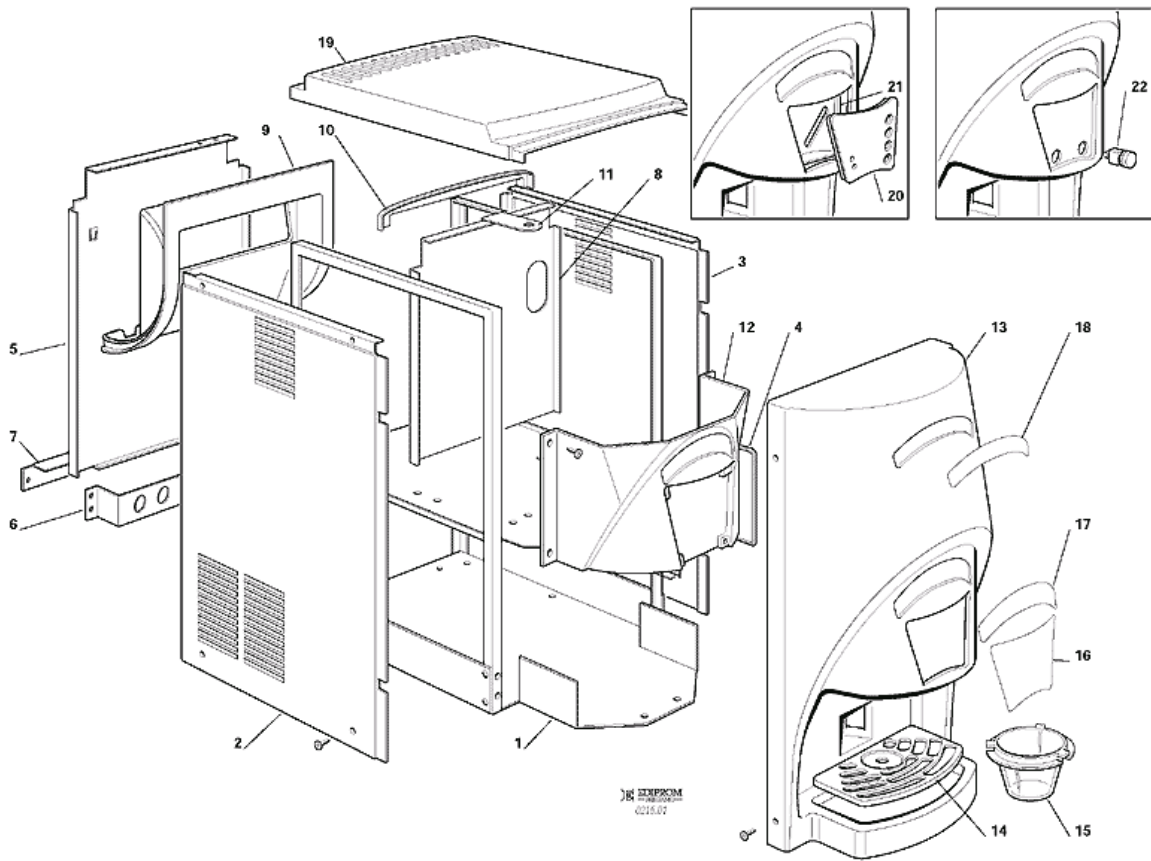
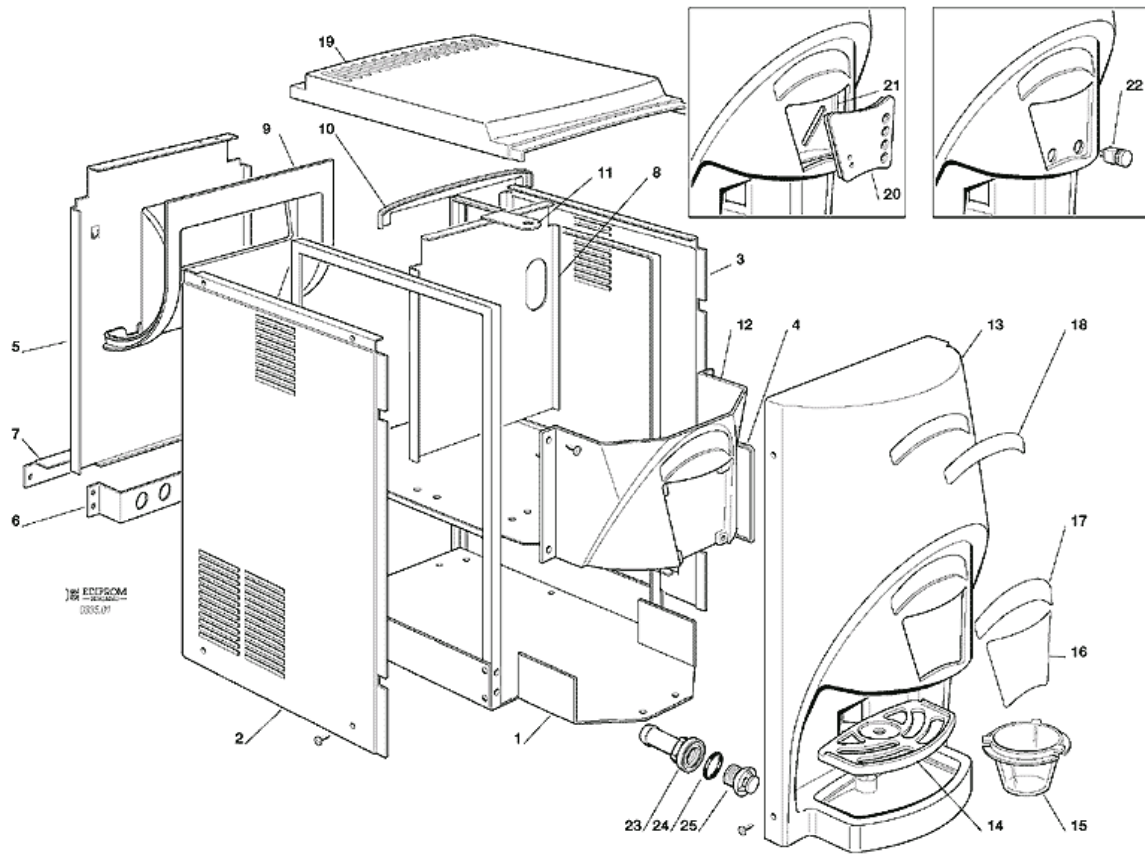


- 1 - UNIT PANELS
- 2 - UNIT PANELS - from S.N. 2224 UP TO S.N. 3070
- 3 - UNIT PANELS - from S.N. 3071
- 4 - REFRIGERANT SYSTEM AIR COOLED - up to S.N. 03752
- 5 - REFRIGERANT SYSTEM AIR COOLED - FROM S.N. 03753 TO S.N. 06881
- 6 - REFRIGERANT SYSTEM AIR COOLED - FROM S.N. 06882
- 7 - WATER AND DISPENSING SYSTEM - up to S.N. 02118
- 8 - WATER AND DISPENSING SYSTEM - from S.N. 02119 to S.N. 03752
- 9 - WATER AND DISPENSING SYSTEM - from S.N. 03753
- 10 - FREEZER AND GEAR REDUCER ASSY
- 11 - P.C. BOARD AND SENSORS ASSY
- 12 - P.C. BOARD AND SENSORS ASSY - FROM S.N. 2988

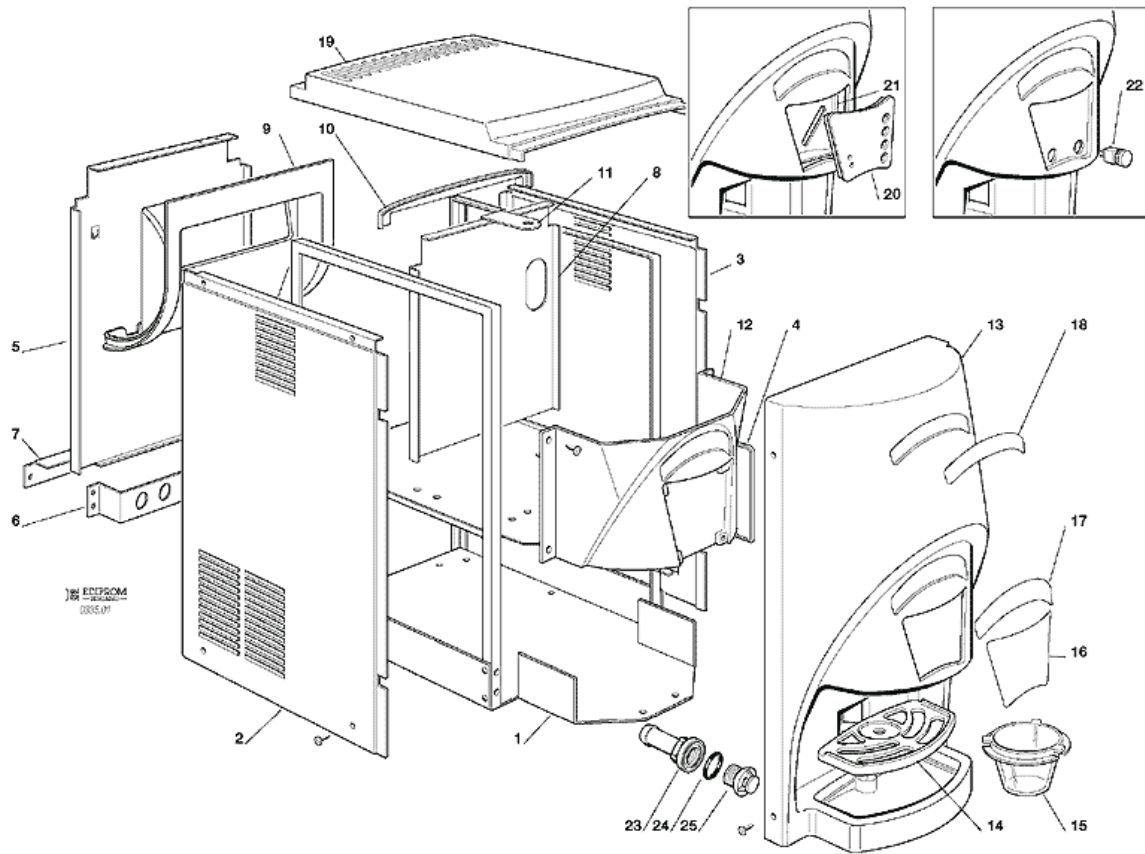


POSITION	CODE	DESCRIPTION
0002	721737 00	LEFT SIDE PANEL
0003	721738 00	RIGHT SIDE PANEL
0004	721763 00	SERVICE PANEL
0005	702260 00	REAR PANEL
0006	702259 00	METAL BRACKET FOR FITTING
0007	702269 00	COVER FOR FITTING BRACKET
0008	702257 00	METAL DIVIDER
0009	660669 00	CONDENSER SHROUD
0010	660674 00	PLASTIC BRACKET
0011	702270 00	ICE SPOUT BRACKET
0012	660672 00	DISPENSING BOARD FRAME
0013	060583 00	FRONT PANEL
0013	060600 00	FRONT PANEL KIT TC 180
0013	660673 02	FRONT PANEL
0014	650765 00	GRID
0015	660675 00	ICE CHUTE
0016	650753 03	LABEL (ICE ONLY)
0016	650753 04	LABEL (PUSH BUTTONS)
0016	650753 05	LABEL - ICE & WATER - FROM S.N. 1632
0016	650753 06	LABEL - ICE ONLY - FROM S.N. 1632
0017	650753 01	LABEL
0018	650753 00	LABEL
0019	650744 00	TOP PANEL
0020	660699 00	PC BOARD COVER
0021	660700 00	DISPENSING P.C. B. HOUSING
0022	060636 00	PUSH BUTTON SWITCH KIT
0022	620466 01	CONTACT

Scotsman® 2 - UNIT PANELS - from S.N. 2224 UP TO S.N. 3070

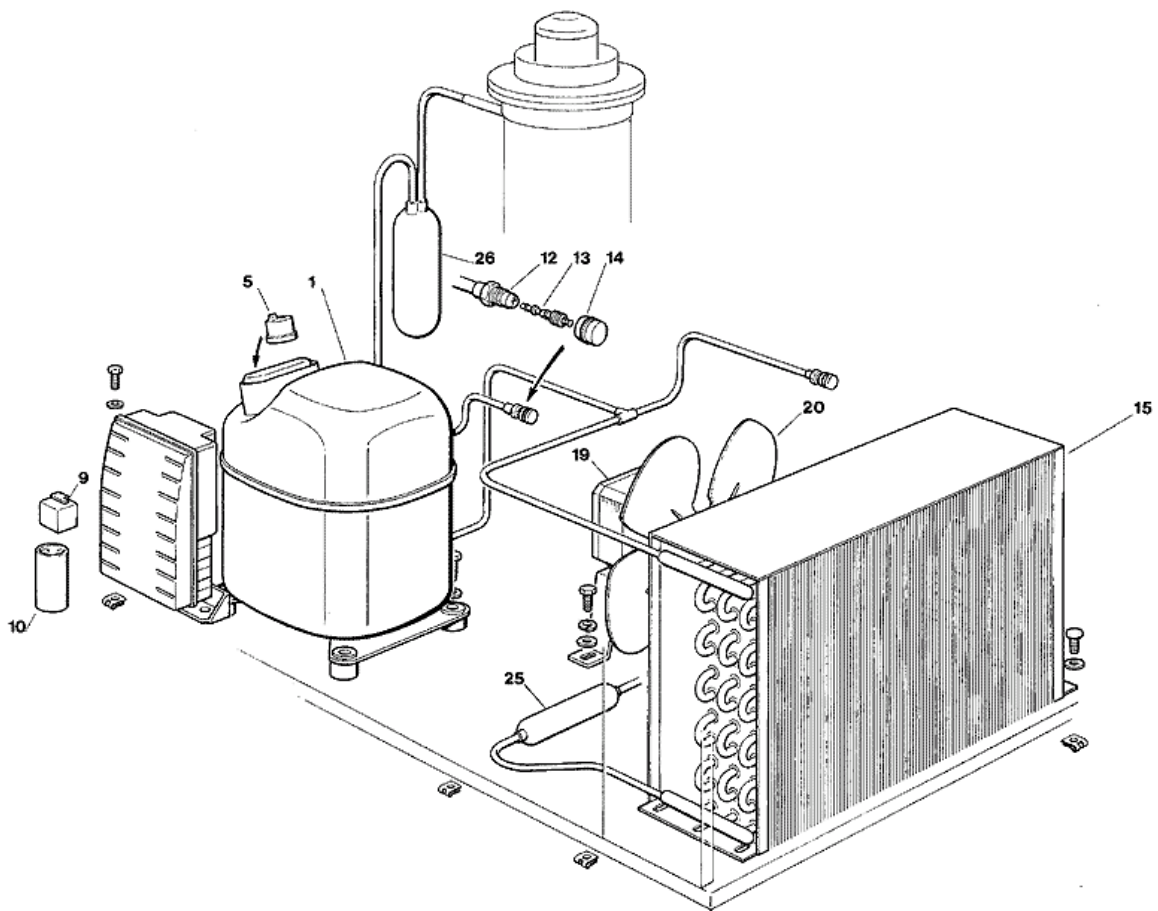


POSITION	CODE	DESCRIPTION
0002	721737 00	LEFT SIDE PANEL
0003	721738 00	RIGHT SIDE PANEL
0004	721763 00	SERVICE PANEL
0005	702260 00	REAR PANEL
0006	702259 00	METAL BRACKET FOR FITTING
0007	702269 00	COVER FOR FITTING BRACKET
0008	702257 00	METAL DIVIDER
0009	660669 00	CONDENSER SHROUD
0010	660674 00	PLASTIC BRACKET
0011	702270 00	ICE SPOUT BRACKET
0013	660673 04	FRONT PANEL
0014	650765 00	GRID
0015	660675 00	ICE CHUTE
0016	650753 04	LABEL (PUSH BUTTONS)
0016	650753 05	LABEL - ICE & WATER - FROM S.N. 1632
0016	650753 06	LABEL - ICE ONLY - FROM S.N. 1632
0017	650753 01	LABEL
0018	650753 00	LABEL
0019	650744 00	TOP PANEL
0020	660699 00	PC BOARD COVER
0021	660700 00	DISPENSING P.C. B. HOUSING
0022	060636 00	PUSH BUTTON SWITCH KIT
0022	620466 01	CONTACT
0023	660219 01	BIN DRAIN
0024	640134 00	O RING 4093
0025	660211 01	DRAIN FILTER



POSITION	CODE	DESCRIPTION
0002	721737 00	LEFT SIDE PANEL
0003	721738 00	RIGHT SIDE PANEL
0004	721763 00	SERVICE PANEL
0005	702260 00	REAR PANEL
0006	702259 00	METAL BRACKET FOR FITTING
0007	702269 00	COVER FOR FITTING BRACKET
0008	702257 00	METAL DIVIDER
0009	660669 00	CONDENSER SHROUD
0010	660674 00	PLASTIC BRACKET
0011	702270 00	ICE SPOUT BRACKET
0013	660812 01	FRONT PANEL (MEMBRANE SWITCH VERSION)
0013	783177 02R	FRONT PANEL ASSY
0014	650765 00	GRID
0015	660675 00	ICE CHUTE
0016	620483 00	MEMBRANE SWITCH PANEL
0016	620483 01	MEMBRANE SWITCH PANEL (ICE ONLY)
0017	650753 01	LABEL
0018	650753 00	LABEL
0019	660811 00	TOP PANEL
0020	660699 00	PC BOARD COVER
0021	660700 00	DISPENSING P.C. B. HOUSING
0022	060636 00	PUSH BUTTON SWITCH KIT
0022	620466 01	CONTACT
0023	660219 01	BIN DRAIN
0024	640134 00	O RING 4093
0025	660211 01	DRAIN FILTER

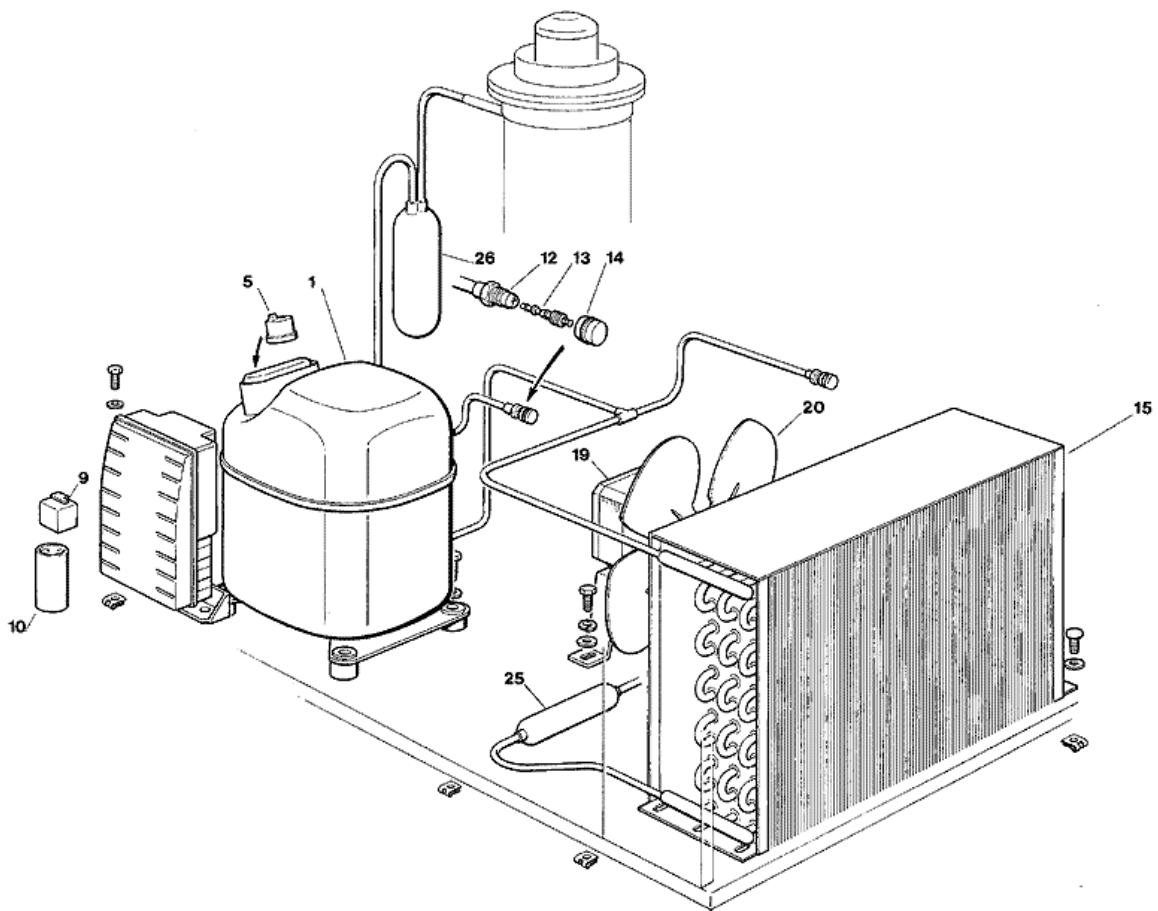
Scotsman⁴ - REFRIGERANT SYSTEM AIR COOLED - up to S.N. 03752



Scotsman⁴ - REFRIGERANT SYSTEM AIR COOLED - up to S.N. 03752

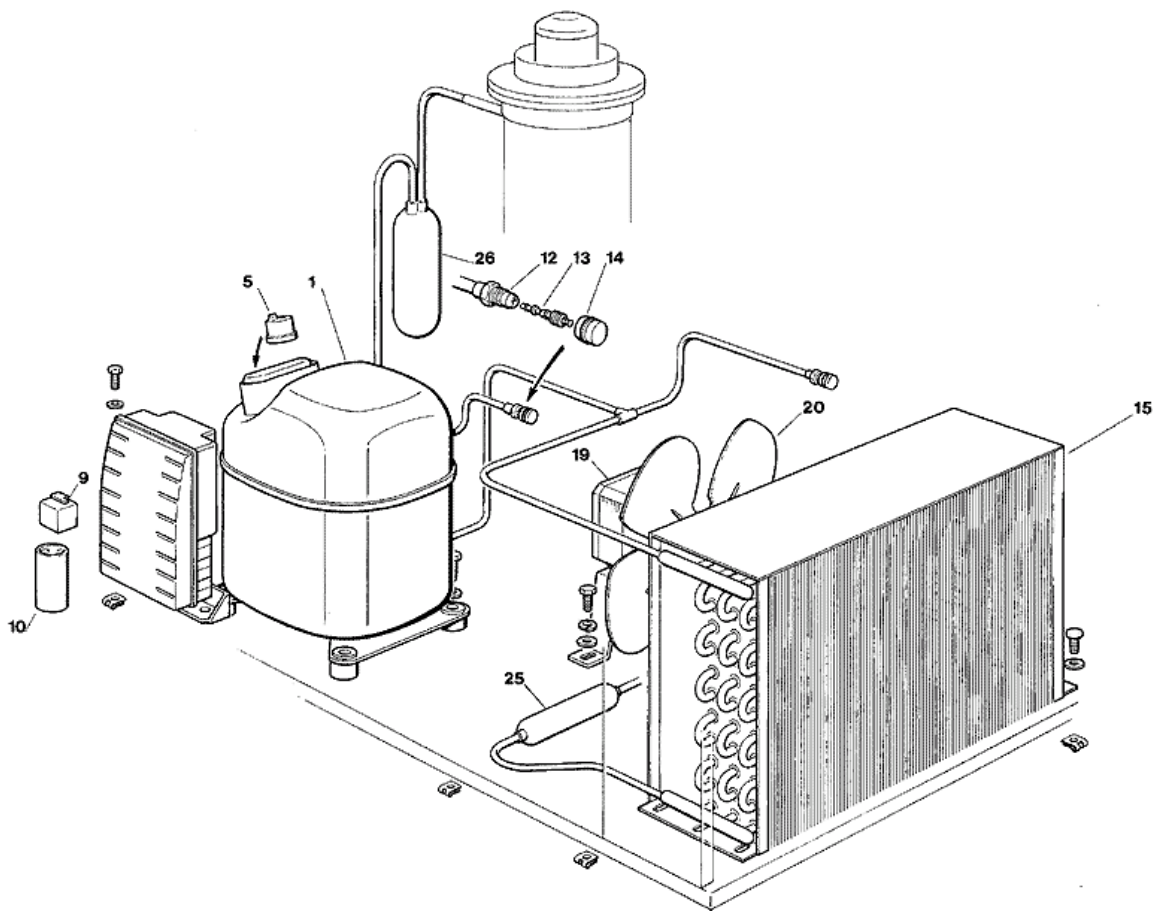
POSITION	CODE	DESCRIPTION
0001	670100 08	COMPRESSOR CUBIGEL - 230/60/1
0001	670101 00	COMPRESSOR - 230/50/1 - TECUMSEH CAE 4448 Y
0001	670101 06	COMPRESSOR ASSY - 115/60
0005	620058 68	PROTECTOR 115/60
0005	620058 71	PROTECTOR - 230/50 - TECUMSEH CAE 4448 Y
0005	CUB 102200	PROTECTOR - 230/60/1
0009	620057 42	RELAY - 230/50-60/1 - TECUMSEH CAE 4448 Y
0009	620057 59	START RELAY - 115/60
0009	CUB 405178	RELAY - 230/60/1
0010	620167 01	START CAPACITOR 64-77 MFD/330V
0010	620167 55	START CAPACITOR - 115/60
0012	650109 00	VALVE BODY
0013	670012 00	VALVE CORE
0014	650106 00	CAP
0015	620439 00	CONDENSER
0019	620419 02	FAN MOTOR - 230/50-60
0019	620419 03	FAN MOTOR - 115/60
0020	620419 33	BLADE
0020	620419 38	FAN BLADE - 60HZ
0025	630003 06	FILTER
0026	784469 09R	SUCTION LINE

Scotsman REFRIGERANT SYSTEM AIR COOLED - FROM S.N. 03753 TO S.N. 06881



POSITION	CODE	DESCRIPTION
0001	670100 01	COMPRESSOR - 230/50/1 - CUBIGEL GP 14 TB
0001	670100 08	COMPRESSOR CUBIGEL - 230/60/1
0001	670101 06	COMPRESSOR ASSY - 115/60
0005	620058 57	PROTECTOR - 230/50/1
0005	620058 68	PROTECTOR 115/60
0005	CUB 102200	PROTECTOR - 230/60/1
0009	620057 56	RELAY - 230/50 - CUBIGEL GP 14 TB
0009	620057 59	START RELAY - 115/60
0009	CUB 405178	RELAY - 230/60/1
0010	620167 55	START CAPACITOR - 115/60
0010	EMB 2252347	CAPACITOR - 230/50/1
0012	650109 00	VALVE BODY
0013	670012 00	VALVE CORE
0014	650106 00	CAP
0015	620439 00	CONDENSER
0019	620419 02	FAN MOTOR - 230/50-60
0019	620419 03	FAN MOTOR - 115/60
0020	620419 33	BLADE
0020	620419 38	FAN BLADE - 60HZ
0025	630003 06	FILTER
0026	784469 19R	SUCTION LINE

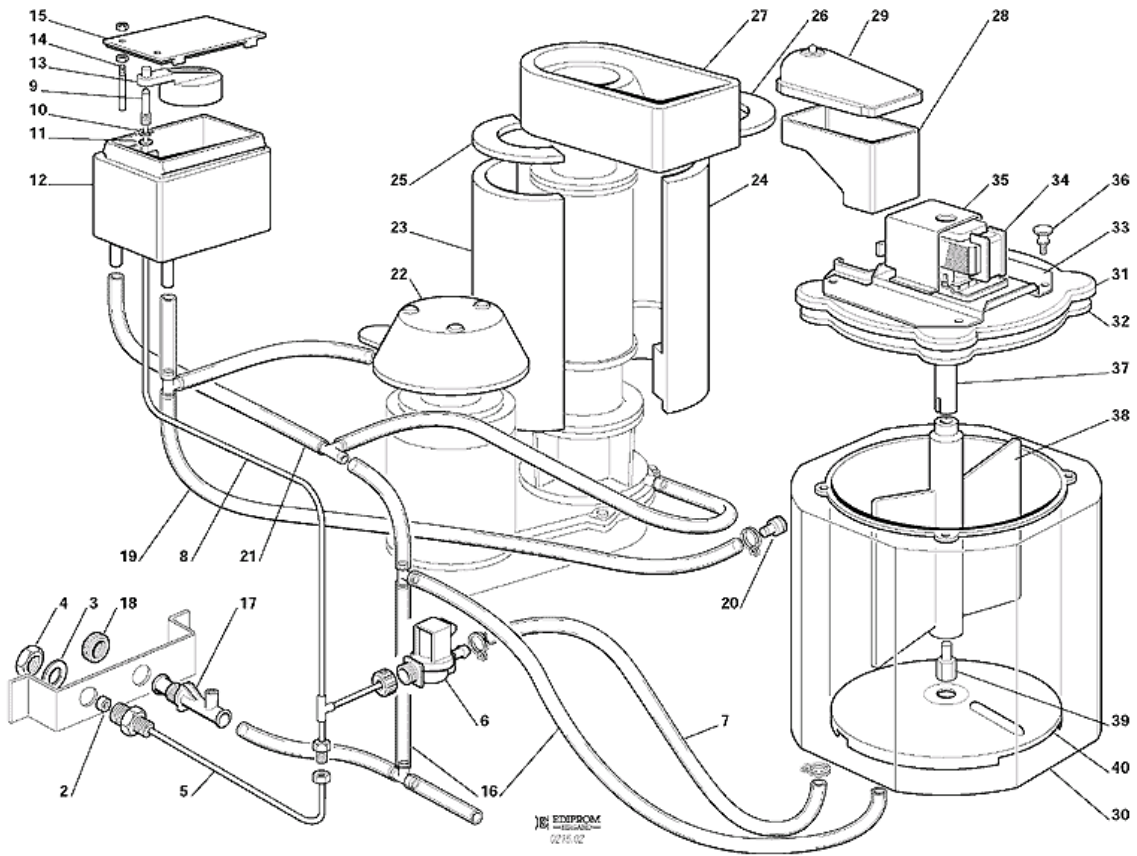
Scotsman[®] 6 - REFRIGERANT SYSTEM AIR COOLED - FROM S.N. 06882



Scotsman[®] - REFRIGERANT SYSTEM AIR COOLED - FROM S.N. 06882

POSITION	CODE	DESCRIPTION
0001	670101 00	COMPRESSOR - 230/50/1 - TECUMSEH CAE 4448 Y
0001	670101 02	COMPRESSOR 230/60/1
0001	670101 06	COMPRESSOR ASSY - 115/60
0005	620058 68	PROTECTOR 115/60
0005	620058 71	PROTECTOR - 230/50 - TECUMSEH CAE 4448 Y
0005	620478 06	PROTECTOR
0009	620057 42	RELAY - 230/50-60/1 - TECUMSEH CAE 4448 Y
0009	620057 49	RELAY - 230/60
0009	620057 59	START RELAY - 115/60
0010	620167 01	START CAPACITOR 64-77 MFD/330V
0010	620167 55	START CAPACITOR - 115/60
0012	650109 00	VALVE BODY
0013	670012 00	VALVE CORE
0014	650106 00	CAP
0015	620439 00	CONDENSER
0019	620419 02	FAN MOTOR - 230/50-60
0019	620419 03	FAN MOTOR - 115/60
0020	620419 33	BLADE
0020	620419 38	FAN BLADE - 60HZ
0025	630003 06	FILTER
0026	784469 19R	SUCTION LINE

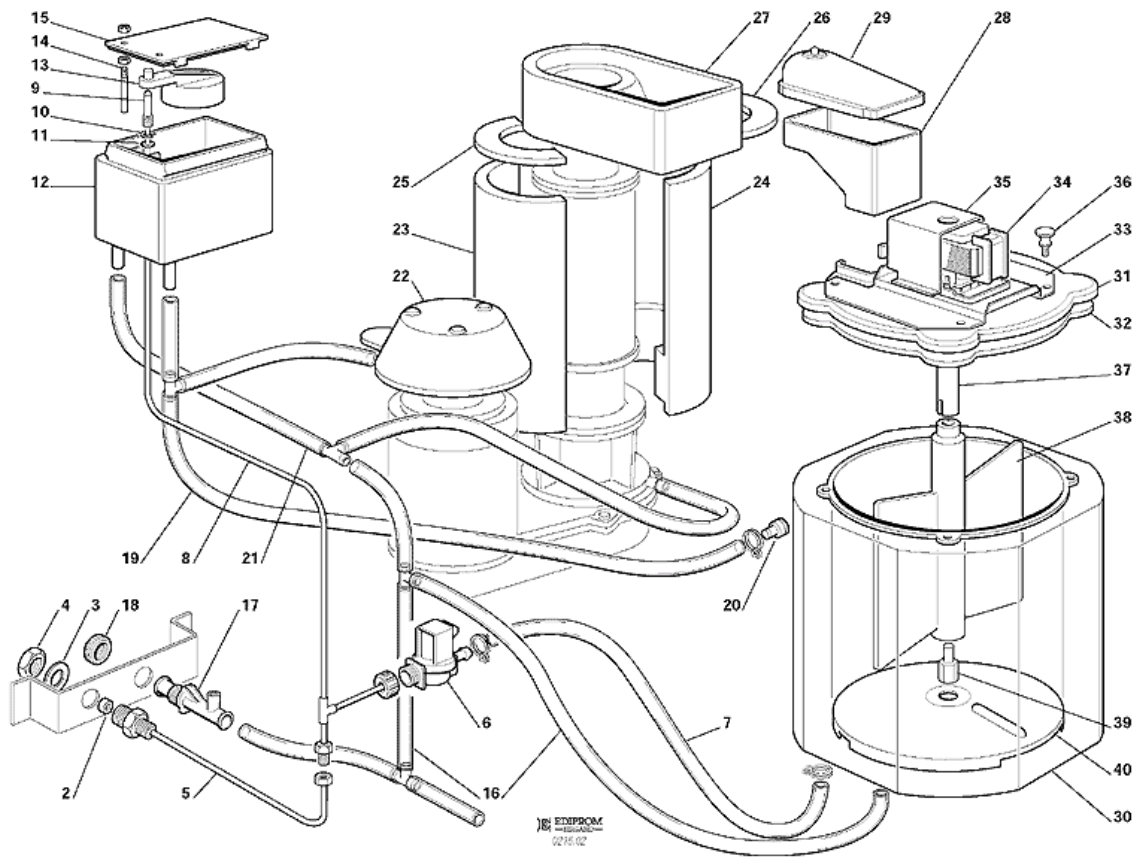
Scotsman® 7 - WATER AND DISPENSING SYSTEM - up to S.N. 02118



Scotsman® 7 - WATER AND DISPENSING SYSTEM - up to S.N. 02118

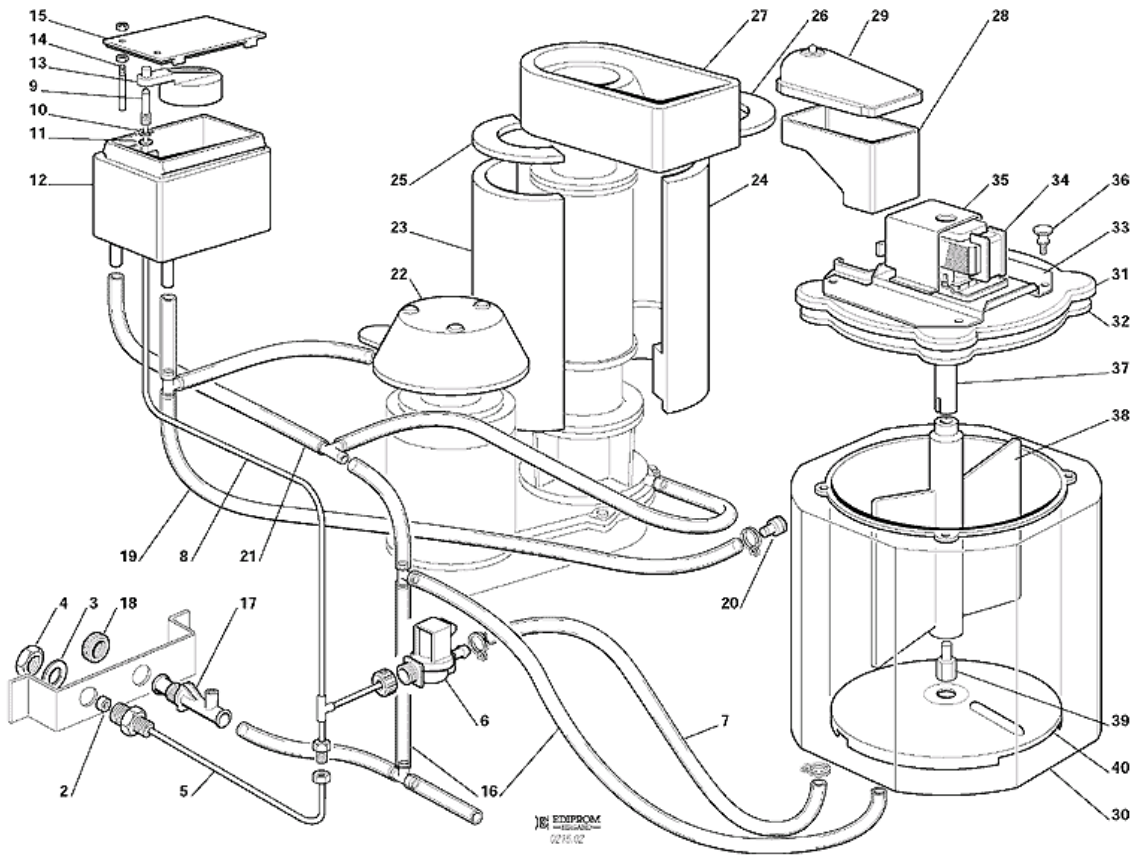
POSITION	CODE	DESCRIPTION
0002	650104 00	FILTER
0003	400052 00	WASHER
0004	400053 00	NUT
0006	640076 13	WASHER
0006	650105 52	WATER IN. VALVE - 230/50-60 - AIR COOLED
0006	650105 55	WATER INLET VALVE - 115/60 - AIR COOLED
0007	281900 01	TUBE 16X10
0009	783153 00R	WATER INLET FITTING
0010	460038 02	RETAINING CLIP
0011	640100 00	O RING
0012	793126 01	WATER RESERVOIR
0013	660585 00	FLOAT VALVE
0014	724215 06	WATER LEVEL METAL PIN
0015	660363 00	COVER
0016	610194 01	PLASTIC TUBE
0017	660224 00	TEE TUBE
0018	660535 00	PLASTIC NUT
0019	610194 04	DRAIN HOSE ASSY
0020	650106 00	CAP
0020	650109 00	VALVE BODY
0021	610194 02	PLASTIC TUBE
0022	660670 00	PLASTIC COVER
0023	060551 04	KIT INSULATION, FREEZER
0024	060551 04	KIT INSULATION, FREEZER
0025	650723 01	INSULATION
0026	650723 01	INSULATION
0027	650723 00	INSULATION
0028	660659 00	SPOUT
0029	660658 00	SPOUT COVER
0030	0A036118 20	STORAGE BIN KIT
0031	650747 00	INSULATION
0032	660662 00	STORAGE BIN COVER
0033	0A035473 01	BIN TOP PLATE
0034	12001610 01	GEAR MOTOR - 115V
0034	12001610 06	GEAR MOTOR - 230V
0035	721729 00	AGITATOR MOTOR BRACKET
0036	03000727 10	SCREW
0037	650881 01	SHAFT
0038	0A034768 01	VANE ASSY
0039	02003033 01	HUB ASSY
0040	0A038272 01	BIN BOTTOM ASSY

Scotsman WATER AND DISPENSING SYSTEM - from S.N. 02119 to S.N. 03752



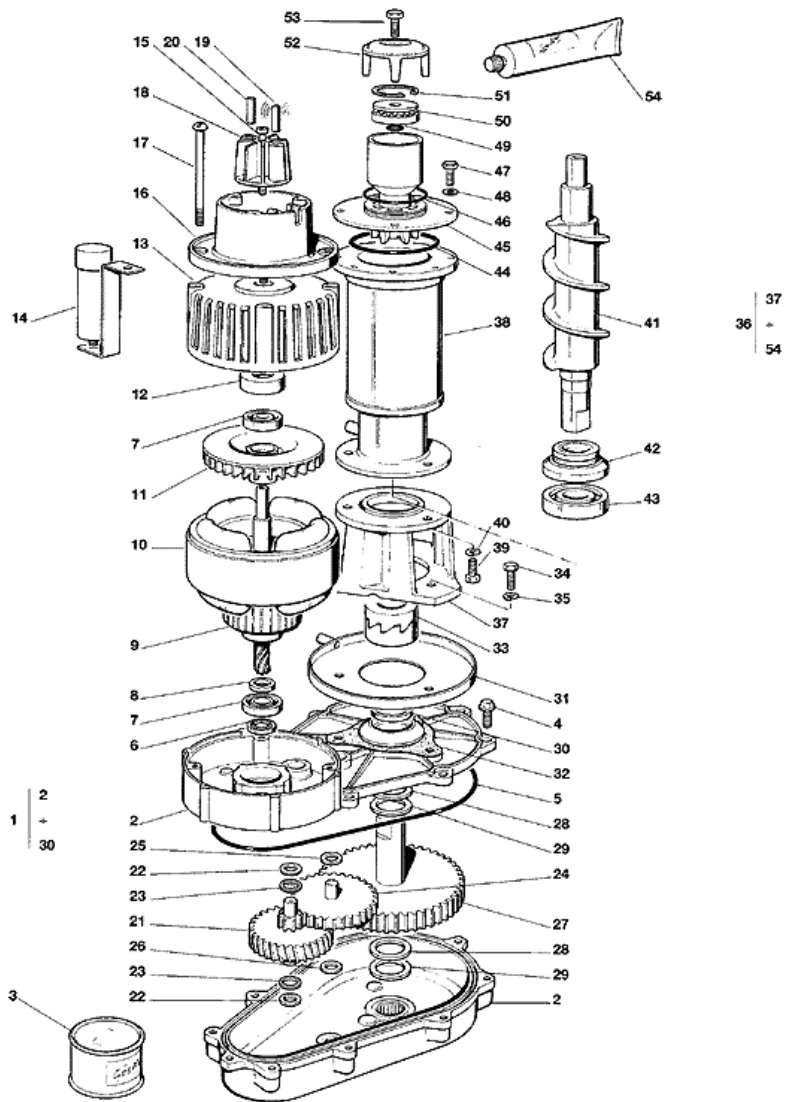
POSITION	CODE	DESCRIPTION
0002	650104 00	FILTER
0003	400052 00	WASHER
0004	400053 00	NUT
0006	640076 13	WASHER
0006	650105 52	WATER IN. VALVE - 230/50-60 - AIR COOLED
0006	650105 55	WATER INLET VALVE - 115/60 - AIR COOLED
0007	281900 01	TUBE 16X10
0009	783153 00R	WATER INLET FITTING
0010	460038 02	RETAINING CLIP
0011	640100 00	O RING
0012	793126 01	WATER RESERVOIR
0013	660585 00	FLOAT VALVE
0014	724215 06	WATER LEVEL METAL PIN
0015	660363 00	COVER
0016	610194 01	PLASTIC TUBE
0017	660224 00	TEE TUBE
0018	660535 00	PLASTIC NUT
0019	610194 04	DRAIN HOSE ASSY
0020	650106 00	CAP
0020	650109 00	VALVE BODY
0021	610194 02	PLASTIC TUBE
0022	660670 00	PLASTIC COVER
0023	060551 04	KIT INSULATION, FREEZER
0024	060551 04	KIT INSULATION, FREEZER
0025	650723 01	INSULATION
0026	650723 01	INSULATION
0027	650827 00	INSULATION
0028	660695 00	SPOUT
0029	660694 00	SPOUT COVER
0030	0A036118 20	STORAGE BIN KIT
0031	650829 00	BIN COVER INSULATION
0032	660696 00	STORAGE BIN COVER
0033	0A035473 01	BIN TOP PLATE
0034	12001610 01	GEAR MOTOR - 115V
0034	12001610 06	GEAR MOTOR - 230V
0035	721729 00	AGITATOR MOTOR BRACKET
0036	03000727 10	SCREW
0037	650881 01	SHAFT
0038	0A034768 01	VANE ASSY
0039	02003033 01	HUB ASSY
0040	0A038272 01	BIN BOTTOM ASSY

Scotsman® 9 - WATER AND DISPENSING SYSTEM - from S.N. 03753

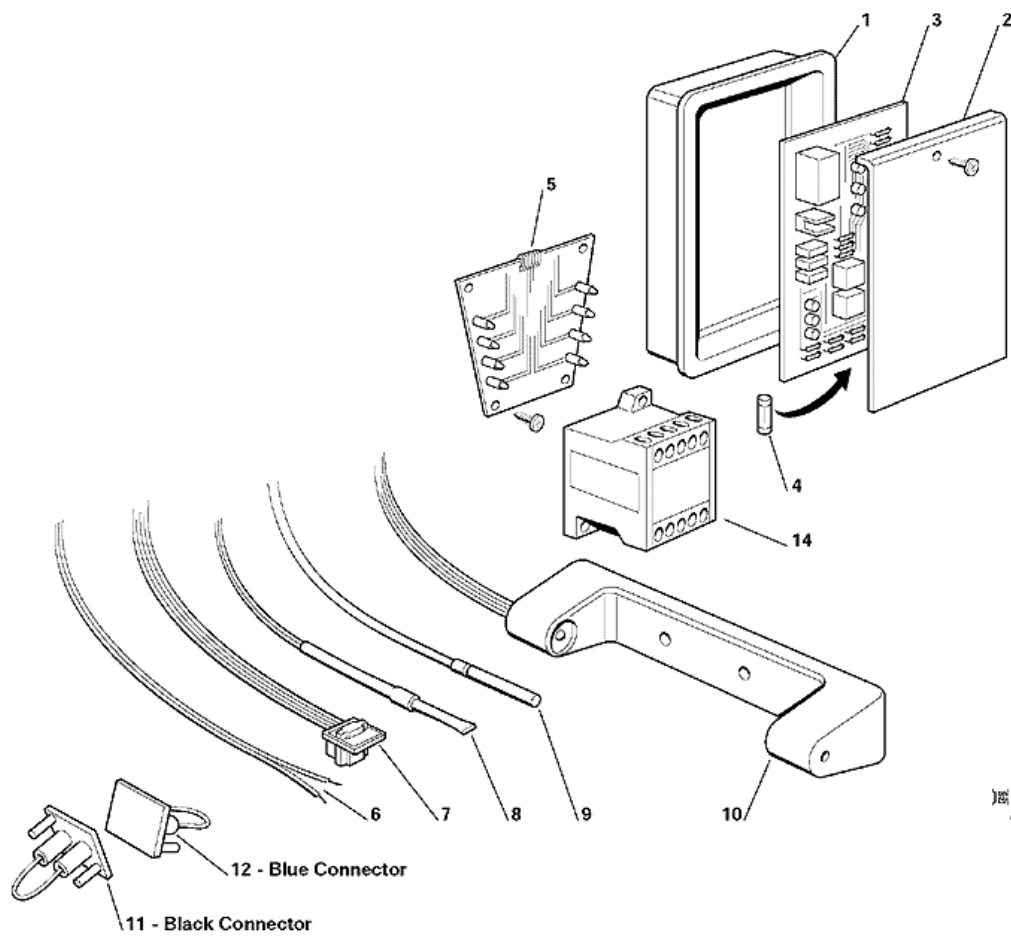


Scotsman® 9 - WATER AND DISPENSING SYSTEM - from S.N. 03753

POSITION	CODE	DESCRIPTION
0002	650104 00	FILTER
0003	400052 00	WASHER
0004	400053 00	NUT
0006	640076 13	WASHER
0006	650105 52	WATER IN. VALVE - 230/50-60 - AIR COOLED
0006	650105 55	WATER INLET VALVE - 115/60 - AIR COOLED
0007	281900 01	TUBE 16X10
0009	783153 00R	WATER INLET FITTING
0010	460038 02	RETAINING CLIP
0011	640100 00	O RING
0012	793126 01	WATER RESERVOIR
0013	660585 00	FLOAT VALVE
0014	724215 06	WATER LEVEL METAL PIN
0015	660363 00	COVER
0016	610194 01	PLASTIC TUBE
0017	660224 00	TEE TUBE
0018	660535 00	PLASTIC NUT
0019	610194 04	DRAIN HOSE ASSY
0020	650106 00	CAP
0020	650109 00	VALVE BODY
0021	610194 02	PLASTIC TUBE
0022	660670 00	PLASTIC COVER
0023	060551 04	KIT INSULATION, FREEZER
0024	060551 04	KIT INSULATION, FREEZER
0025	650723 01	INSULATION
0026	650723 01	INSULATION
0027	650827 00	INSULATION
0028	660695 00	SPOUT
0029	660694 00	SPOUT COVER
0030	0A036118 20	STORAGE BIN KIT
0031	650747 00	INSULATION
0032	660696 01	BIN COVER
0033	724383 00	METAL BRACKET
0034	12001610 01	GEAR MOTOR - 115V
0034	12001610 06	GEAR MOTOR - 230V
0035	702390 00	METAL BRACKET
0036	650806 03	THUMB SCREW
0037	650881 00	MOTOR SHAFT
0038	650882 00	DISPENSING VANE
0039	02003033 01	HUB ASSY
0040	0A038272 01	BIN BOTTOM ASSY

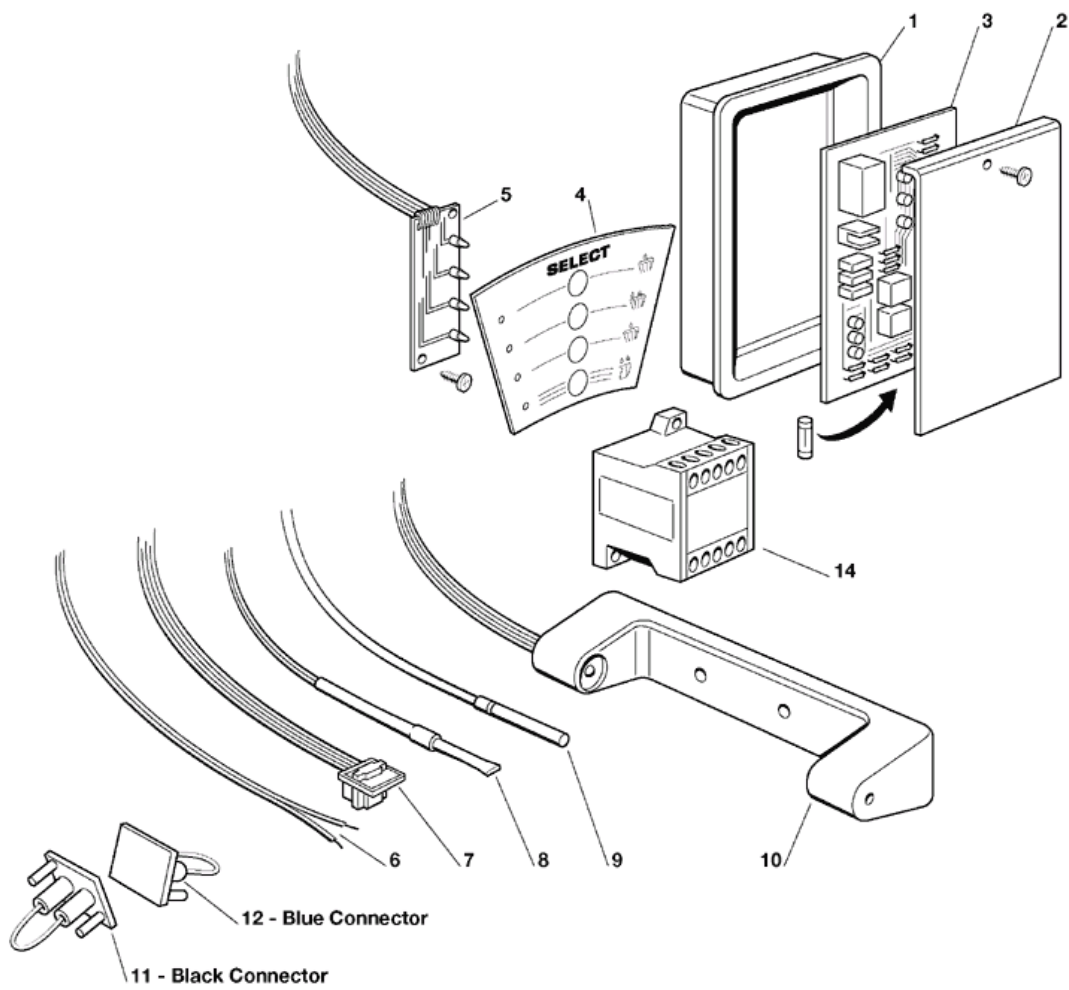


POSITION	CODE	DESCRIPTION
0001	794225 13R	GEAR REDUCER ASSY 230V
0001	794225 16R	GEAR REDUCER ASSY - 115/60
0002	001015 01	GEAR CASE KIT
0003	060294 01	GREASE
0004	03001251 01	SCREW 5/16-18X1
0004	429852 00	SCREW M6X20
0005	640084 00	O RING
0006	640083 00	GREASE SEAL
0007	651056 00	BEARING
0008	441800 09	SPECIAL WASHER
0009	794123 03R	ROTOR ASSY
0010	620394 00	STATOR 230V
0010	620394 01	STATOR 115V
0011	764001 01	BLADE
0012	640095 00	RUBBER INSERT
0013	794226 01R	DRIVE MOTOR COVER
0014	620520 00	CAPACITOR - 12,5 MFD
0014	620520 03	CAPACITOR - 4 MFD
0015	03001403 77	SCREW
0016	650515 01	MOTOR COVER
0017	423872 02	SCREW
0018	784476 00	MAGNETO ASSY
0019	784476 00	MAGNETO ASSY
0020	784476 00	MAGNETO ASSY
0021	651160 00	GEAR
0022	441800 06	WASHER
0023	441800 05	WASHER
0024	651161 00	GEAR AND PINION
0025	441800 08	WASHER
0026	441800 07	WASHER
0027	651162 01	3RD GEAR & PINION
0028	441808 00	WASHER
0029	441808 00	WASHER
0030	640019 01	GASKET SMIM 2232/5.5
0031	660756 00	DRIP PAN
0032	640060 00	GASKET
0033	060359 00	KIT COUPLING AF
0034	03001405 38	SCREW 5/16 X 3/4"
0034	420019 00	SCREW
0036	794300 00R	FREEZER ASSY
0037	764010 00	FREEZER BRACKET
0038	784541 01	WORM TUBE
0039	03001405 38	SCREW 5/16 X 3/4"
0039	420019 00	SCREW
0041	650727 00	AUGER
0042	640040 00	WATER SEAL (02001300 21)
0043	670011 01	BEARING
0044	640041 28	O RING
0045	060661 00	ICE BREAKER ASSY
0046	640041 27	O RING
0047	420019 00	SCREW
0049	640041 25	O RING
0050	060661 00	ICE BREAKER ASSY
0051	650297 00	SNAP RING
0052	650725 00	ICE SWEEP
0052	660980 00	PLASTIC WASHER
0053	420030 00	SCREW
0054	263612 00	GREASE



POSITION	CODE	DESCRIPTION
0001	620448 00	PC BOARD - 230/50
0001	620448 05	PC BOARD - BOX ASSY - 115/60
0002	620448 00	PC BOARD - 230/50
0002	620448 05	PC BOARD - BOX ASSY - 115/60
0003	620448 00	PC BOARD - 230/50
0003	620448 05	PC BOARD - BOX ASSY - 115/60
0005	060613 00	MEMBRANE SWITCH KIT
0006	620404 13	WATER LEVEL SENSOR
0007	620404 03	HALL SENSOR
0008	620404 11	CONDENSER SENSOR
0009	620404 10	EVAPORATOR SENSOR
0010	650674 01	ICE LEVEL CTL.
0011	620448 03	OPTICAL CONTROL T
0012	620448 02	OPTICAL CONTROL R
0014	630119 04	CONTACTOR 115V

Scotsman® 12 - P.C. BOARD AND SENSORS ASSY - FROM S.N. 2988



Scotsman® 12 - P.C. BOARD AND SENSORS ASSY - FROM S.N. 2988

POSITION	CODE	DESCRIPTION
0001	620448 00	PC BOARD - 230/50
0001	620448 05	PC BOARD - BOX ASSY - 115/60
0002	620448 00	PC BOARD - 230/50
0002	620448 05	PC BOARD - BOX ASSY - 115/60
0003	620448 00	PC BOARD - 230/50
0003	620448 05	PC BOARD - BOX ASSY - 115/60
0004	620483 00	MEMBRANE SWITCH PANEL
0004	620483 01	MEMBRANE SWITCH PANEL (ICE ONLY)
0005	620483 03	DISPLAY BOARD
0006	620404 13	WATER LEVEL SENSOR
0007	620404 03	HALL SENSOR
0008	620404 11	CONDENSER SENSOR
0009	620404 10	EVAPORATOR SENSOR
0010	650674 01	ICE LEVEL CTL.
0011	620448 03	OPTICAL CONTROL T
0012	620448 02	OPTICAL CONTROL R
0014	630119 04	CONTACTOR 115V