

Self Contained Ice Machine up to 108 kg



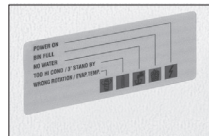
Features

- Up to 108 kg (238 lb) of flake ice production per day
- Up to 30 kg (66 lb) built-in ice storage
- Electronically controlled operation, with self-diagnostic functions with external alarm lights providing operational information for early alert and fast diagnosis of operating issues
- External Components constructed from corrosion-resistant stainless steel crafted for optimal aesthetic appeal through superior fit and finish
- Ergonomically convenient, slanted & disappearing storage bin door
- Front Access for Easier Maintenance
- Front-in, front-out airflow allows for built-in installations
- CFC Free R-404A Refrigerant
- 90 mm (3 1/2") legs included

AF 103 Technologies



SS AISI 304



Electronic

Model	Compressor	10°C : 10°C		21°C : 15°C		[kg]	[lb]	[mm]	[mm]
		[kg]	[lb]	[kg]	[lb]				
AF 103 AS		105	231,5	98	216	30	66	592x622x997/1077	
AF 103 WS		108	238	98	216	30	66	235/16"x241/2"x391/4-421/32"	

	[V/Hz/ph]	230/50/1
	R 404A	

This product qualifies for the following listings:



Certified ISO 9001

Flake Ice

Residual water content 25%



Ice in its most natural form, made at a temperature just below zero degrees Celsius, with 25% residual water content, making it very moist. Its flake shape makes it extremely versatile and very simple to use effectively.

2 Years Warranty

Subject to certain limitations and exclusions

Download our free app **Scotsman Ice**

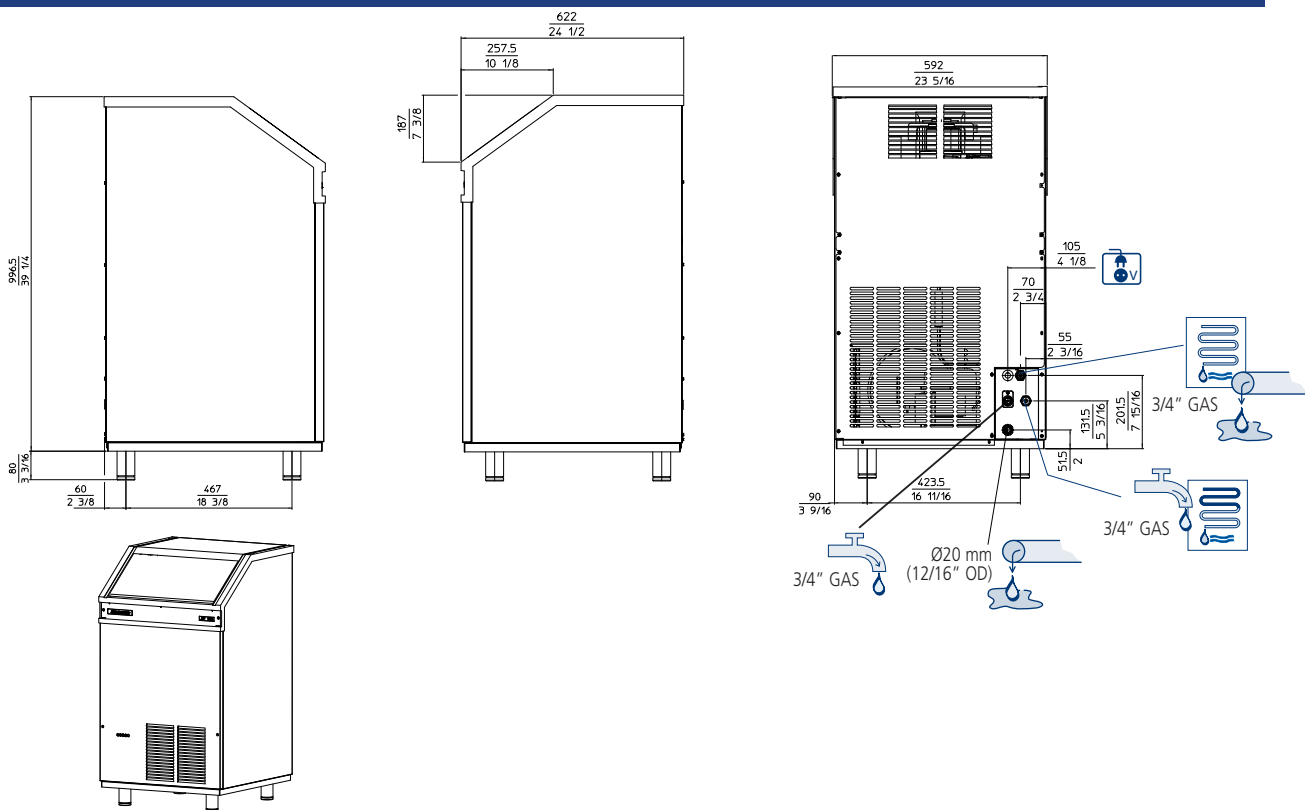
Available on:
Apple store
Google play
Windows store



www.scotsman-ice.it
www.scotsman-ice.com

Other models in this range:
AF 80 - AF 124
AF 156 - AF 206

Self Contained Ice Machine up to 108 Kg



AF 103 AIR COOLED

°C	°F				kg	lbs
	50°	60°	70°	90°		
10°	105	101	97	89		
50°	231,5	222,5	214	196		
21°	102	98	94	86		
70°	225	216	207	189,5		
32°	88	84	80	72		
90°	194	185	176	159		
38°	82	78	74	66		
100	181	172	163	145,5		



AF 103 WATER COOLED

°C	°F				kg	lbs
	50°	60°	70°	90°		
10°	108	100	92	76		
50°	238	220,5	203	167,5		
21°	106	98	90	74		
70°	233,5	216	198,5	163		
32°	105	97	89	73		
90°	231,5	214	196	161		
38°	103	95	87	71		
100	227	209,5	192	156,5		



Minimum	Maximum
10°C (50°F)	43°C (110°F)
5°C (41°F)	38°C (100°F)
-10%	+10%
1 bar 14 psi	5 bar 70 psi

Model	Refrigerant	Capacity [Btu/h] [W]	Ice Output [kg] [lb]	Dimensions [mm]	Power [W]	FUSE	Energy [kWh] - 100 kg	Water [l/h]	Water [gal/h]	Weight [kg] [lb]
AF 103 AS	Air Cooled	3270 960	3 x 1.5	470	10	12,5	3,3 0,88	66 145	74 163	
AF 103 WS	Water Cooled	3270 960	3 x 1.5	360	10	9,6	31,8 8,40	68 150	76 167	

IMPORTANT NOTICE:

Models and specifications are subject to change without notice.
This spec sheet is meant for commercial purpose only.
For technical documentation please refer to our service manuals.

www.scotsman-ice.it
www.scotsman-ice.com

Scotsman®
Ice Systems

Milano Madrid Chicago Dubai Singapore Shanghai Johannesburg