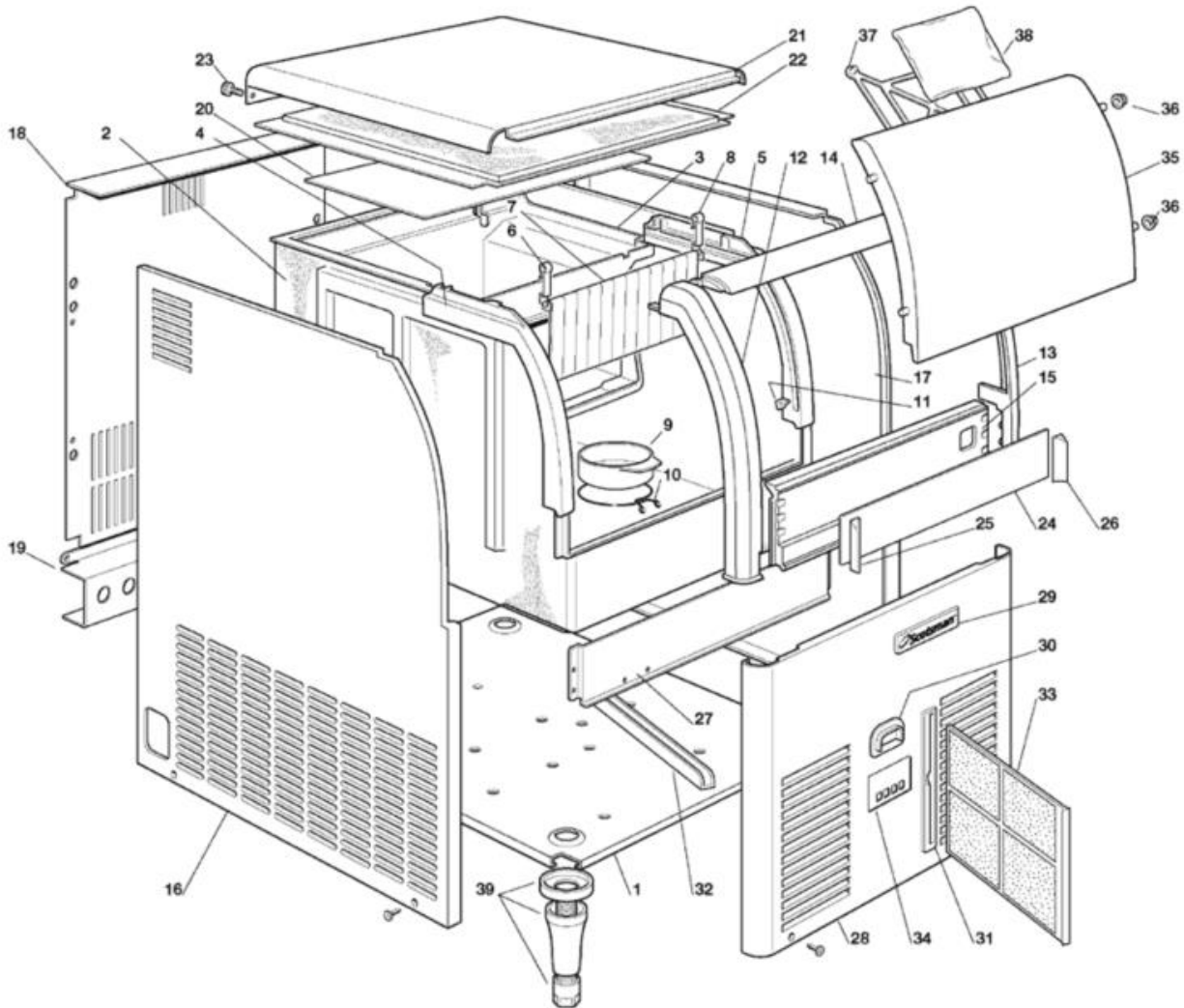
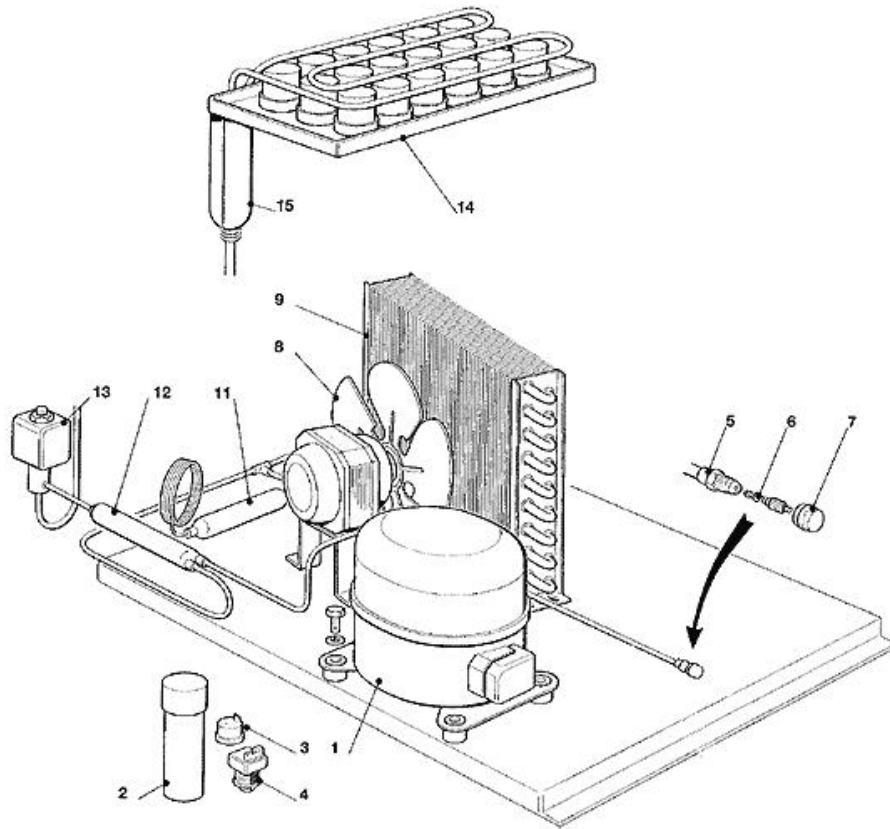


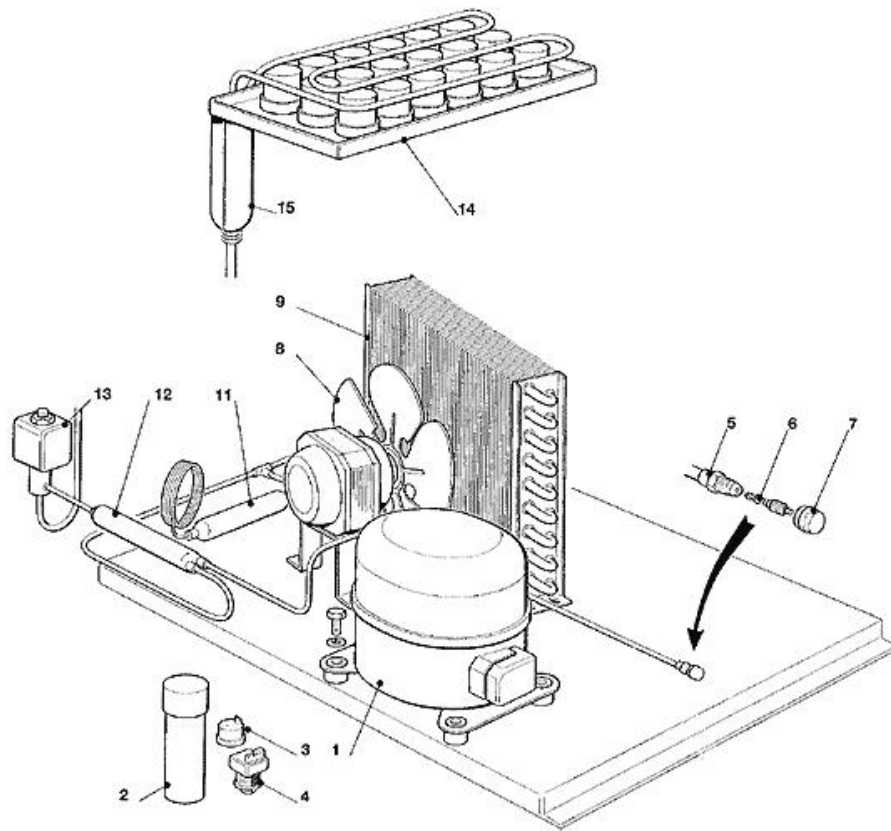
- 1 UNIT PANELS
- 2 REFRIGERANT SYSTEM AIR COOLED - UPTO S.N. 05001
- 3 REFRIGERANT SYSTEM AIR COOLED - FROM S.N. 05002
- 4 REFRIGERANT SYSTEM WATER COOLED - UPTO S.N. 05001
- 5 REFRIGERANT SYSTEM WATER COOLED - FROM S.N. 05002 TO S.N. 07613
- 6 REFRIGERANT SYSTEM WATER COOLED - FROM S.N. 07614
- 7 WATER SYSTEM - UP TO S.N. 01786
- 8 WATER SYSTEM - FROM S.N. 01787 TO S.N. 07613
- 9 WATER SYSTEM - FROM S.N. 07614
- 10 CONTROL BOX AND P.C. BOARD - UP TO S.N. 01135
- 11 CONTROL BOX AND P.C. BOARD ASSY - FROM S.N. 01136 TO S.N. 01551
- 12 CONTROL BOX AND P.C. BOARD ASSY - FROM S.N. 01552 TO S.N. 01857
- 13 P.C. BOARD AND SENSORS ASSY - FROM S.N. 01858 UP TO S.N. 04183
- 14 P.C. BOARD AND SENSORS ASSY - FROM S.N. 04184



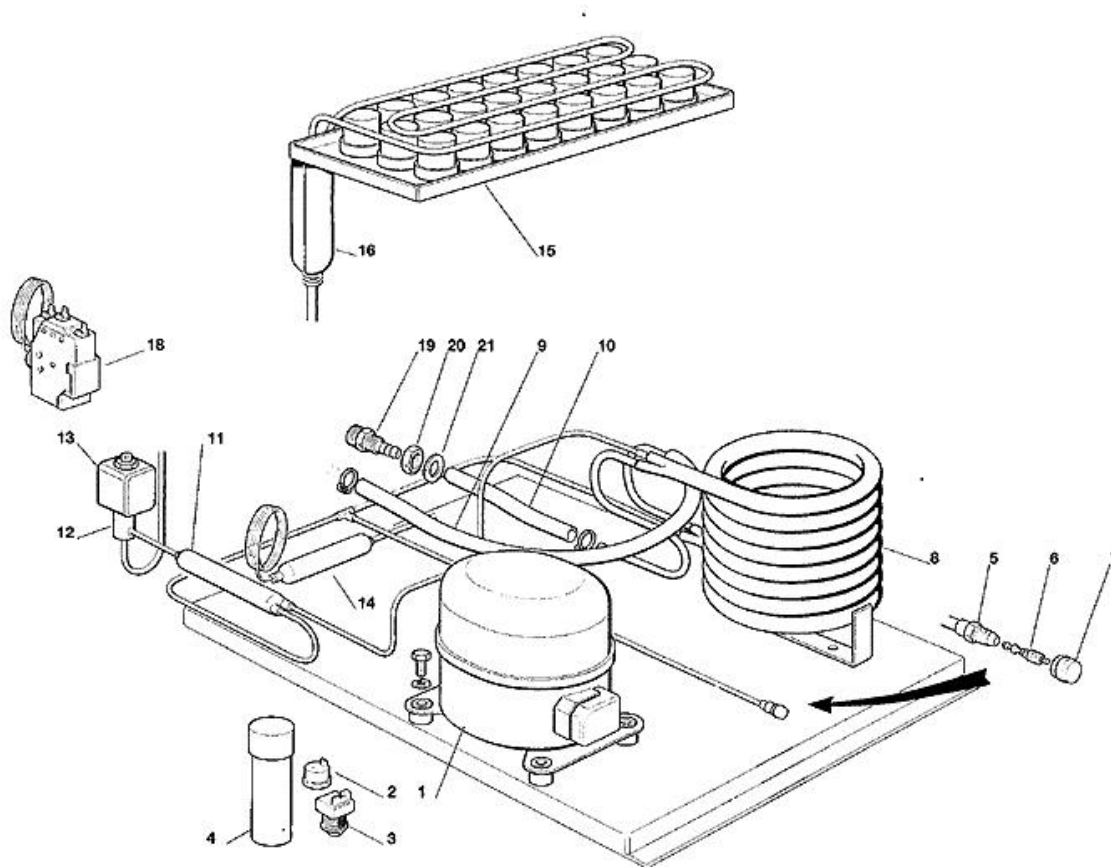
Pos	Code	Description
0001	791087 00	UNIT BASE
0002	782104 01R	STORAGE BIN ASSY
0003	660823 01	SUMP/EVAPORATOR HOUSING
0004	660784 01	LEFT SIDE TRACK
0005	660784 00	RIGHT SIDE TRACK
0006	660388 01	CURTAIN BRACKET (LEFT)
0007	784457 08R	CURTAIN ASSY
0008	660388 00	CURTAIN BRACKET (RIGHT)
0009	660741 00	PLASTIC PLUG
0010	460047 00	SPRING
0011	660816 00	SHOCK ABSORBER
0012	660832 00	LEFT SIDE DOOR FRAME
0013	660832 01	RIGHT SIDE DOOR FRAME
0014	660785 00	UPPER DOOR FRAME
0015	660833 00	BOTTOM DOOR FRAME
0016	721969 00	LEFT SIDE PANEL
0017	721968 00	RIGHT SIDE PANEL
0018	702398 00	REAR PANEL
0019	702396 00	REAR BOTTOM PANEL
0020	660827 00	EVAPORATOR COVER
0021	721933 00	TOP PANEL
0022	650904 00	INSULATION
0022	660828 00	PLASTIC COVER
0023	650806 00	THUMB SCREW
0024	721938 00	S.S. FRONT LINER
0025	660837 01	CORNER PROTECTION LEFT
0026	660837 00	CORNER PROTECTION RIGHT
0027	702409 00	METAL STRIP
0028	721967 00	FRONT PANEL - AIR
0028	721967 01	FRONT PANEL - WATER
0029	650850 00	SCOTSMAN LOGO
0030	660829 00	FRONT SWITCH PLASTIC PROTECTION
0031	660804 01	AIR FILTER SEAT
0032	660817 00	SLIDE, AIR FILTER
0033	660805 01	AIR FILTER
0034	650624 07	LABEL
0035	660786 00	BIN DOOR
0036	660286 00	BUSHING
0037	660831 00	RUBBER BRACKET, SANITISING BAG
0038	650909 00	SANITISING BAG
0039	650670 00	LEG KIT



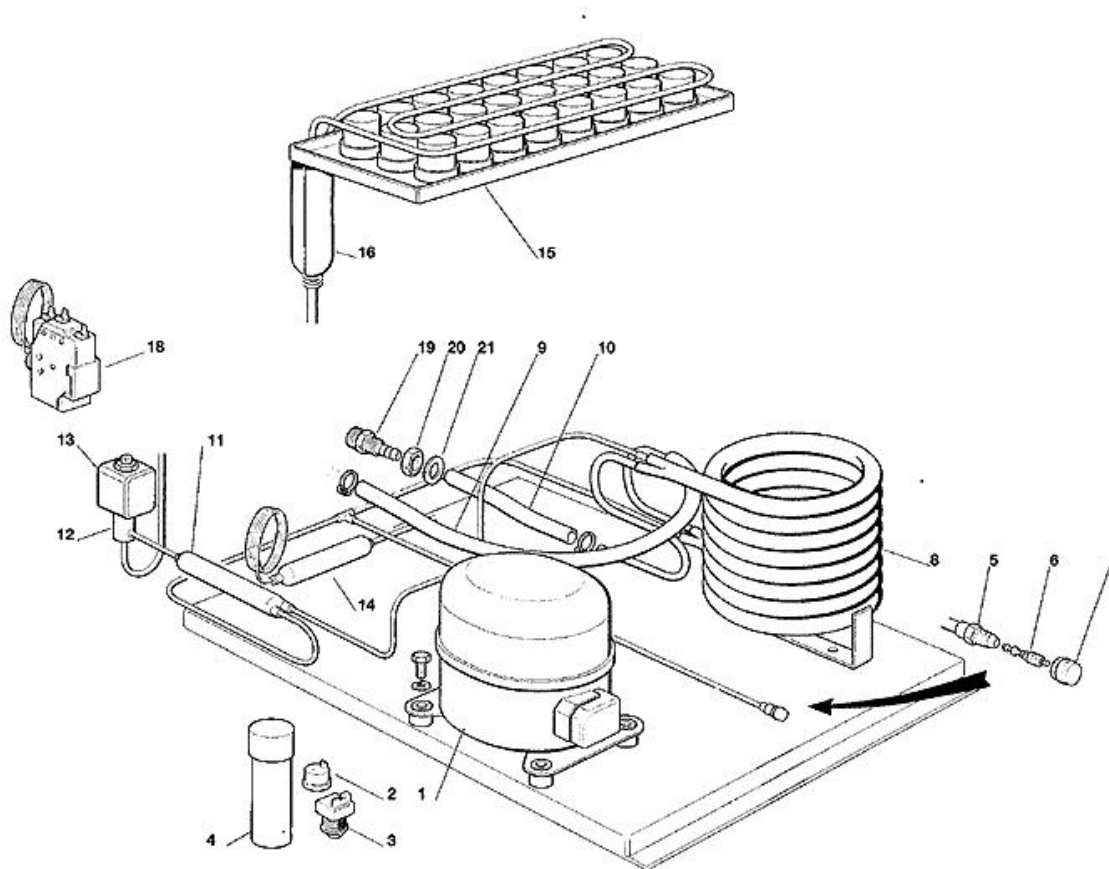
Pos	Code	Description
0001	670100 01	COMPRESSOR - 230/50/1 - CUBIGEL GP 14 TB
0001	670100 08	COMPRESSOR CUBIGEL - 230/60/1
0002	EMB 2252347	CAPACITOR - 230/50/1
0003	CUB 102190	PROTECTOR - 230/50/1
0003	CUB 102200	PROTECTOR - 230/60/1
0004	CUB 405177	RELAY - 230/50/1
0004	CUB 405178	RELAY - 230/60/1
0005	650109 00	VALVE BODY
0006	670012 00	VALVE CORE
0007	650106 00	CAP
0008	620419 02	FAN MOTOR - 230/50-60
0008	620419 03	FAN MOTOR - 115/60
0008	620419 33	BLADE
0008	620419 63	BRACKET
0009	620455 00	CONDENSER
0011	630003 05	DRIER
0012	630137 01	MECHANICAL FILTER
0013	620306 27	HOT GAS VALVE BODY
0013	620306 48	COIL - 230/50-60
0014	784477 05	EVAPORATOR ASSY - LARGE
0014	784477 06	EVAPORATOR ASSY - MEDIUM
0015	784632 03	ACCUMULATOR/SUCTION LINE



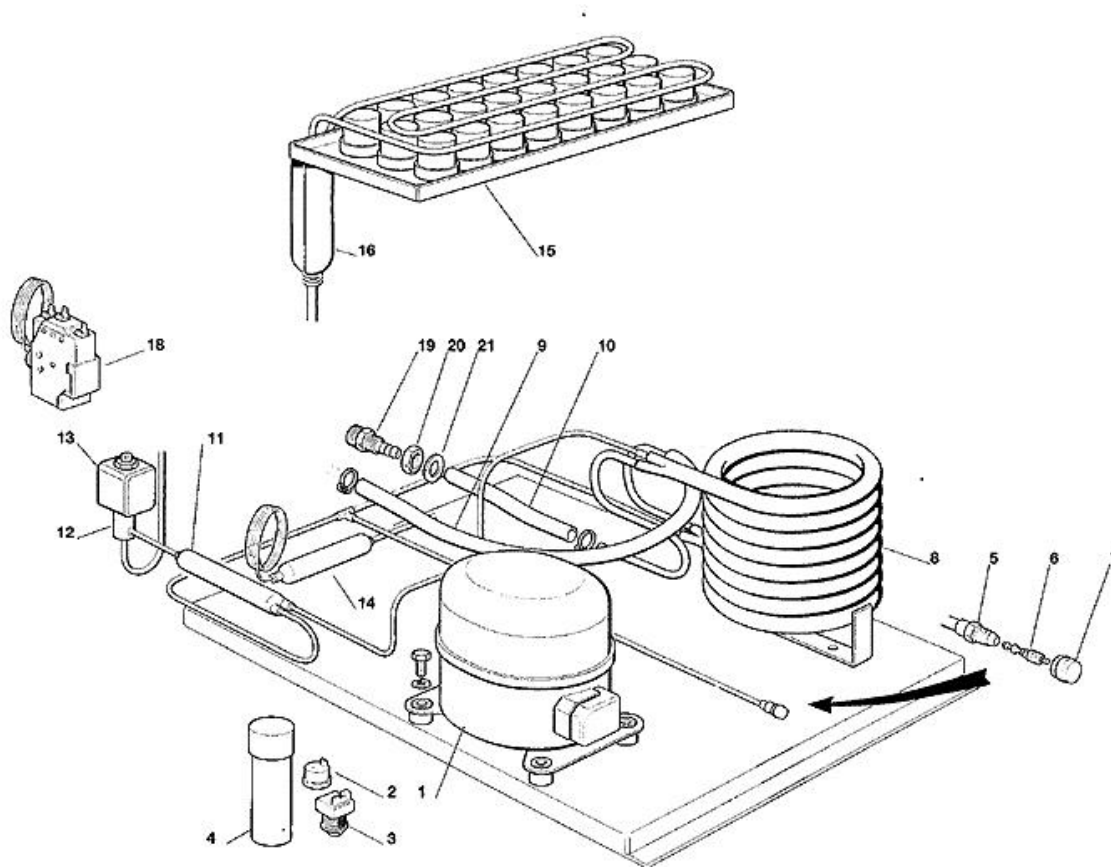
Pos	Code	Description
0001	670101 00	COMPRESSOR - 230/50/1 - TECUMSEH CAE 4448 Y
0001	670105 06	COMPRESSOR - 230/60/1
0002	620167 01	START CAPACITOR 64-77 MFD/330V
0002	EMB 2252352	START CAPACITOR
0003	620058 71	PROTECTOR - 230/50 - TECUMSEH CAE 4448 Y
0003	EMB 2319101	PROTECTOR - 230/60/1
0004	620057 42	RELAY - 230/50-60/1 - TECUMSEH CAE 4448 Y
0004	EMB 2334112	RELAY - MTRP0012-65
0005	650109 00	VALVE BODY
0006	670012 00	VALVE CORE
0007	650106 00	CAP
0008	620419 02	FAN MOTOR - 230/50-60
0008	620419 03	FAN MOTOR - 115/60
0008	620419 33	BLADE
0008	620419 63	BRACKET
0009	620455 00	CONDENSER
0011	630003 05	DRIER
0012	630137 01	MECHANICAL FILTER
0013	620306 27	HOT GAS VALVE BODY
0013	620306 48	COIL - 230/50-60
0014	784477 05	EVAPORATOR ASSY - LARGE
0014	784477 06	EVAPORATOR ASSY - MEDIUM
0015	784632 03	ACCUMULATOR/SUCTION LINE



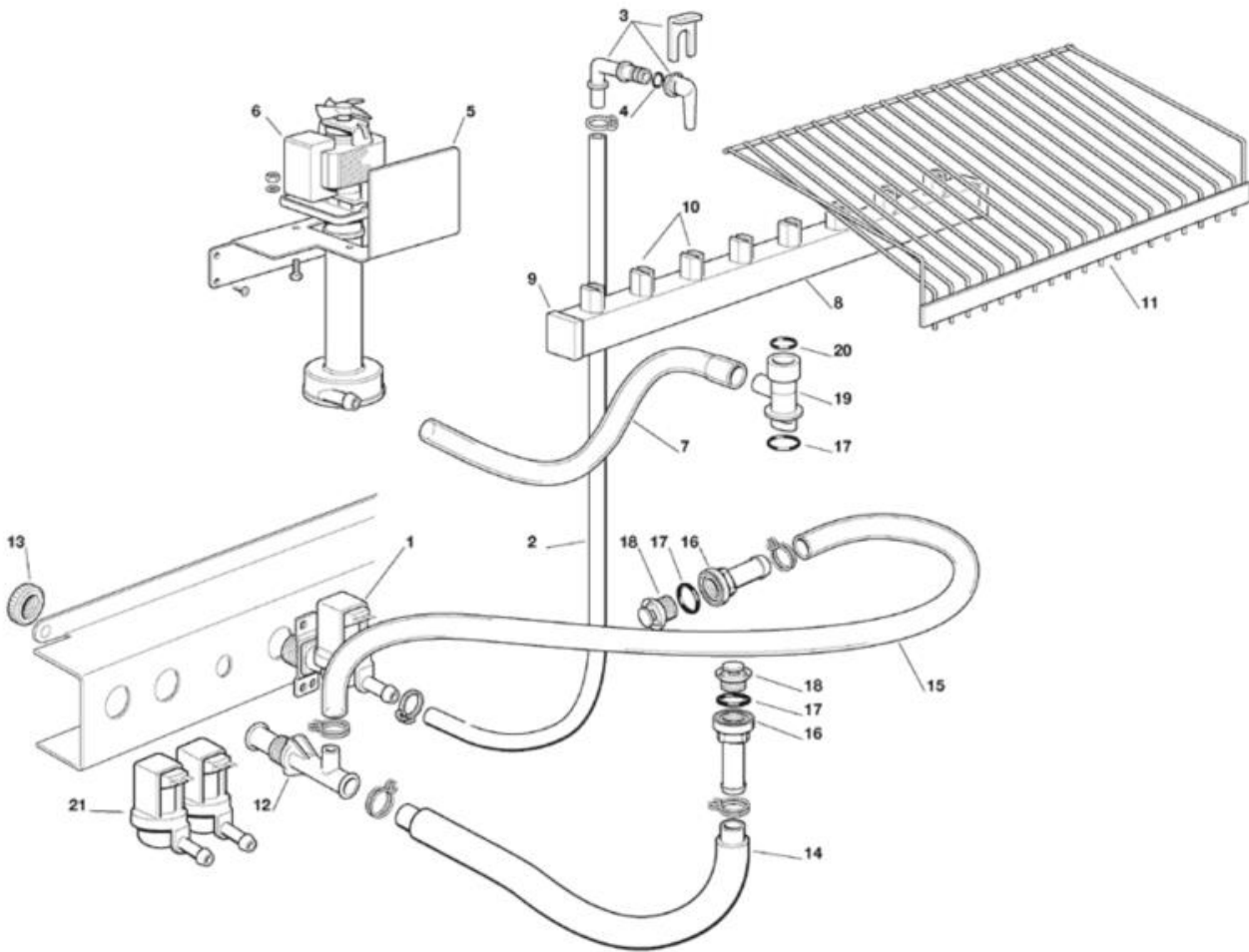
Pos	Code	Description
0001	670100 01	COMPRESSOR - 230/50/1 - CUBIGEL GP 14 TB
0001	670100 08	COMPRESSOR CUBIGEL - 230/60/1
0002	CUB 102190	PROTECTOR - 230/50/1
0002	CUB 102200	PROTECTOR - 230/60/1
0003	CUB 405177	RELAY - 230/50/1
0003	CUB 405178	RELAY - 230/60/1
0004	EMB 2252347	CAPACITOR - 230/50/1
0005	650109 00	VALVE BODY
0006	670012 00	VALVE CORE
0007	650106 00	CAP
0008	620389 00	CONDENSER
0009	281900 01	TUBE 16X10
0010	281900 01	TUBE 16X10
0011	630137 01	MECHANICAL FILTER
0012	620306 27	HOT GAS VALVE BODY
0013	620306 48	COIL - 230/50-60
0014	630003 05	DRIER
0015	784477 05	EVAPORATOR ASSY - LARGE
0015	784477 06	EVAPORATOR ASSY - MEDIUM
0016	784632 03	ACCUMULATOR/SUCTION LINE
0018	620075 00	PRESSOSTAT
0019	660291 00	TEE TUBE (D13)
0020	400030 01	NUT
0021	400031 00	WASHER



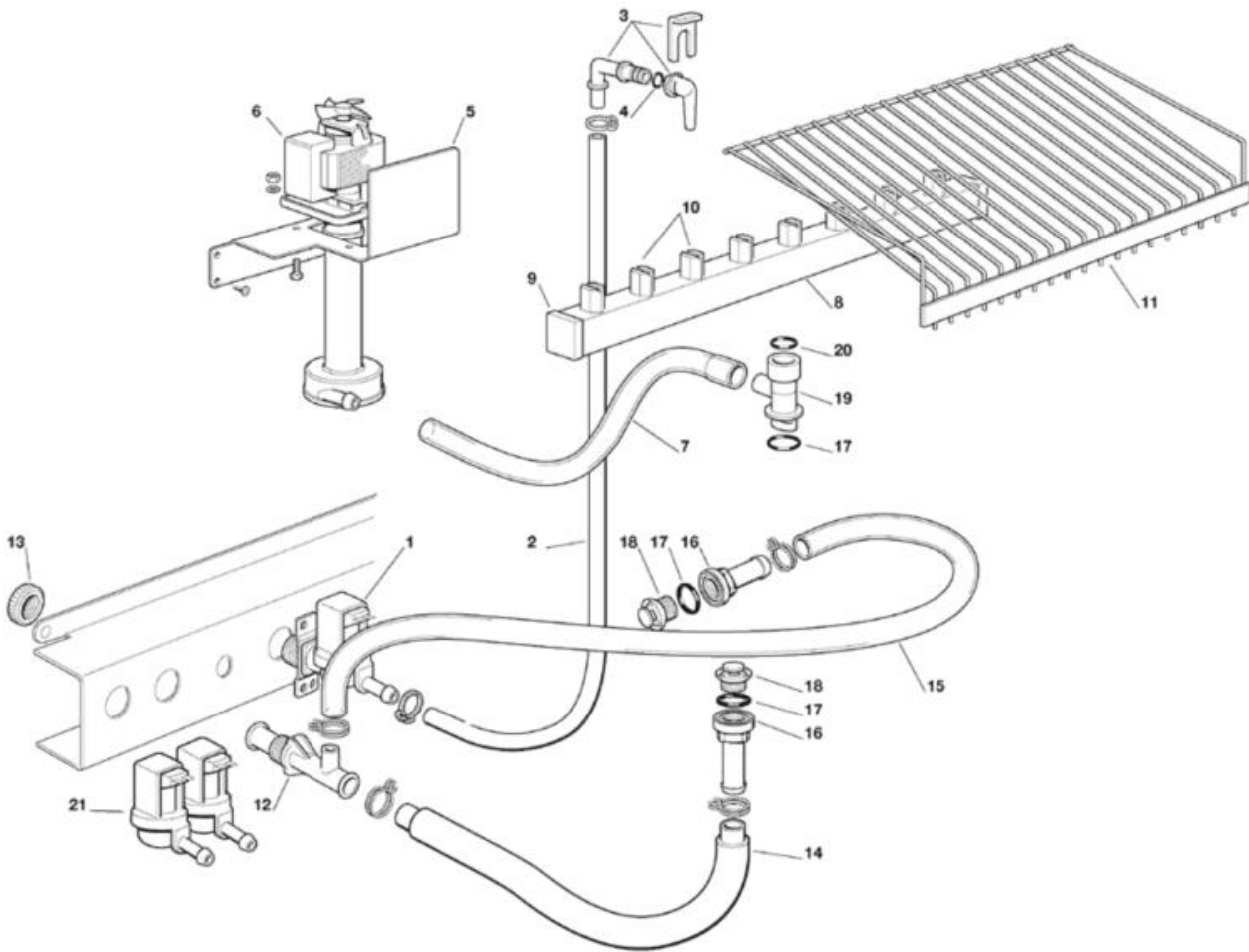
Pos	Code	Description
0001	670101 00	COMPRESSOR - 230/50/1 - TECUMSEH CAE 4448 Y
0001	670105 06	COMPRESSOR - 230/60/1
0002	620058 71	PROTECTOR - 230/50 - TECUMSEH CAE 4448 Y
0002	EMB 2319101	PROTECTOR - 230/60/1
0003	620057 42	RELAY - 230/50-60/1 - TECUMSEH CAE 4448 Y
0003	EMB 2334112	RELAY - MTRP0012-65
0004	620167 01	START CAPACITOR 64-77 MFD/330V
0004	EMB 2252352	START CAPACITOR
0005	650109 00	VALVE BODY
0006	670012 00	VALVE CORE
0007	650106 00	CAP
0008	620389 00	CONDENSER
0009	281900 01	TUBE 16X10
0010	281900 01	TUBE 16X10
0011	630137 01	MECHANICAL FILTER
0012	620306 27	HOT GAS VALVE BODY
0013	620306 48	COIL - 230/50-60
0014	630003 05	DRIER
0015	784477 05	EVAPORATOR ASSY - LARGE
0015	784477 06	EVAPORATOR ASSY - MEDIUM
0016	784632 03	ACCUMULATOR/SUCTION LINE
0018	620075 00	PRESSOSTAT
0019	660291 00	TEE TUBE (D13)
0020	400030 01	NUT
0021	400031 00	WASHER



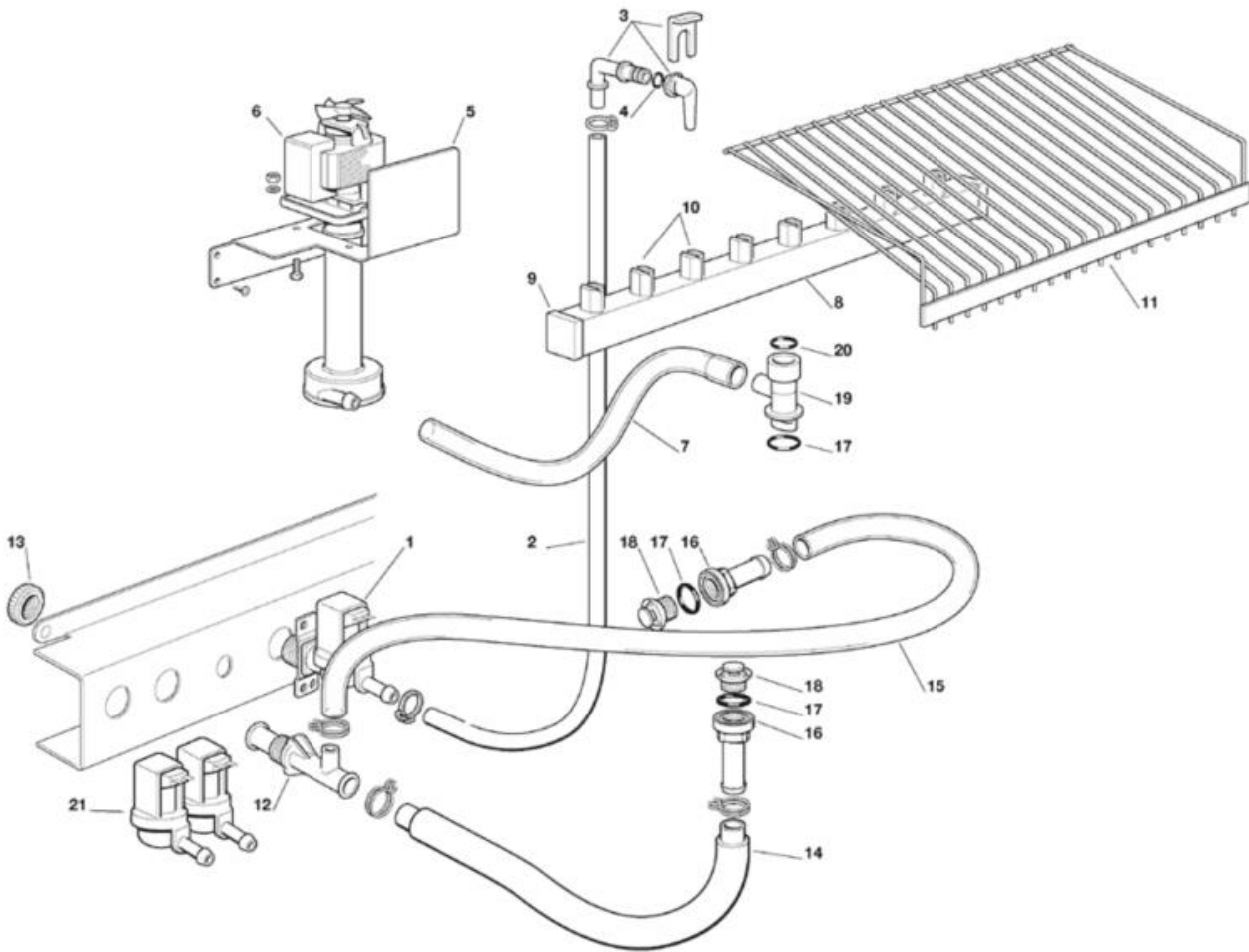
Pos	Code	Description
0001	670105 06	COMPRESSOR - 230/60/1
0001	670106 06	COMPRESSOR - 230/50/1
0002	620478 19	PROTECTOR - 230/50/1
0002	EMB 2319101	PROTECTOR - 230/60/1
0003	620057 79	RELAY - 230/50/1
0003	EMB 2334112	RELAY - MTRP0012-65
0004	620167 00	START CAPACITOR 88-108MFD/330V
0004	EMB 2252352	START CAPACITOR
0005	650109 00	VALVE BODY
0006	670012 00	VALVE CORE
0007	650106 00	CAP
0008	620389 00	CONDENSER
0009	281900 01	TUBE 16X10
0010	281900 01	TUBE 16X10
0011	630137 01	MECHANICAL FILTER
0012	620306 27	HOT GAS VALVE BODY
0013	620306 48	COIL - 230/50-60
0014	630003 05	DRIER
0015	784477 05	EVAPORATOR ASSY - LARGE
0015	784477 06	EVAPORATOR ASSY - MEDIUM
0016	784632 03	ACCUMULATOR/SUCTION LINE
0018	620075 00	PRESSOSTAT
0019	660291 00	TEE TUBE (D13)
0020	400030 01	NUT
0021	400031 00	WASHER



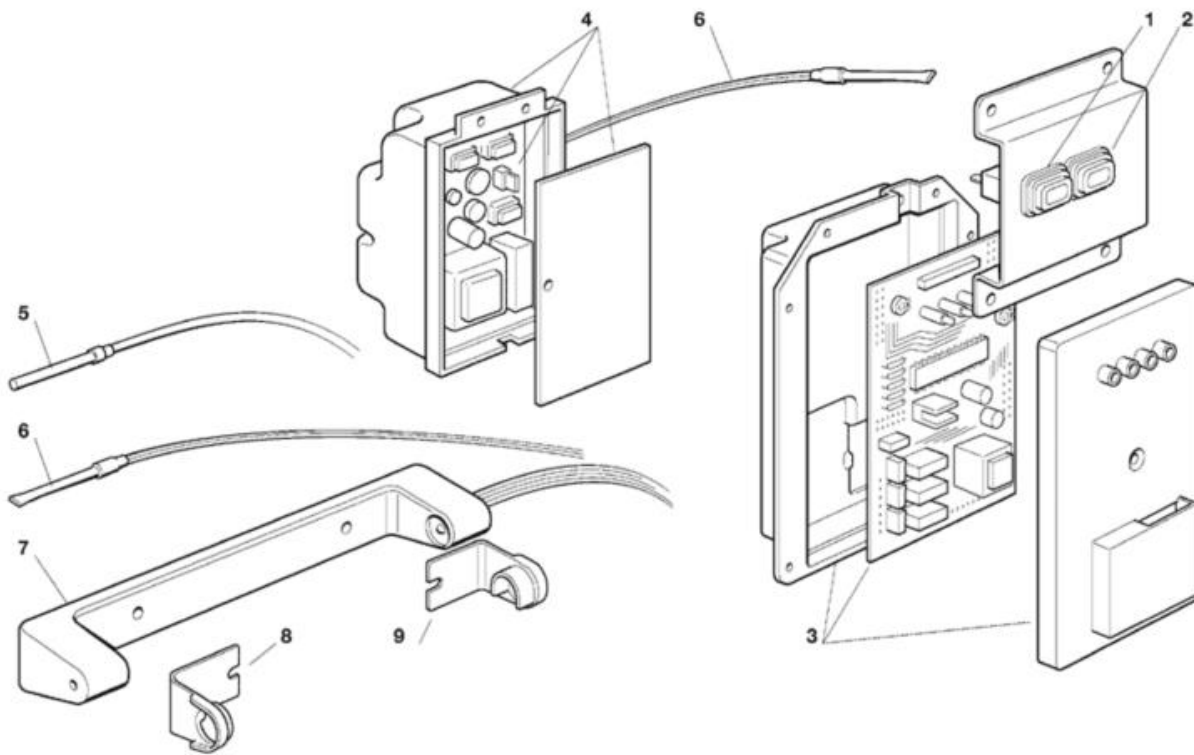
Pos	Code	Description
0001	650105 52	WATER IN. VALVE - 230/50-60 - AIR COOLED
0002	281900 01	TUBE 16X10
0003	793172 00R	WATER INLET ELBOW ASSY
0004	640041 31	O RING
0005	721937 00	METAL BRACKET
0006	620423 00	WATER PUMP - 230/50/1
0006	620433 01	WATER PUMP 230/60
0007	610150 03	TUBE
0008	650665 33	SPRAY BAR - MEDIUM
0008	650665 34	SPRAY BAR - LARGE
0009	660557 00	SPRAY CUP
0010	660558 00	SPRAY NOZZLE
0011	650741 00	CUBE DEFLECTOR - LARGE
0011	650741 01	CUBE DEFLECTOR - MEDIUM
0012	660224 00	TEE TUBE
0013	660535 00	PLASTIC NUT
0014	610148 10	TUBE
0015	610204 00	TUBE
0016	660219 02	BIN DRAIN
0017	640134 00	O RING 4093
0018	660211 01	DRAIN FILTER
0019	660777 01	SPRAY SYSTEM SEAT
0020	640041 32	O RING
0021	650105 70	WATER INLET VALVE ASSY - 230V - WATER



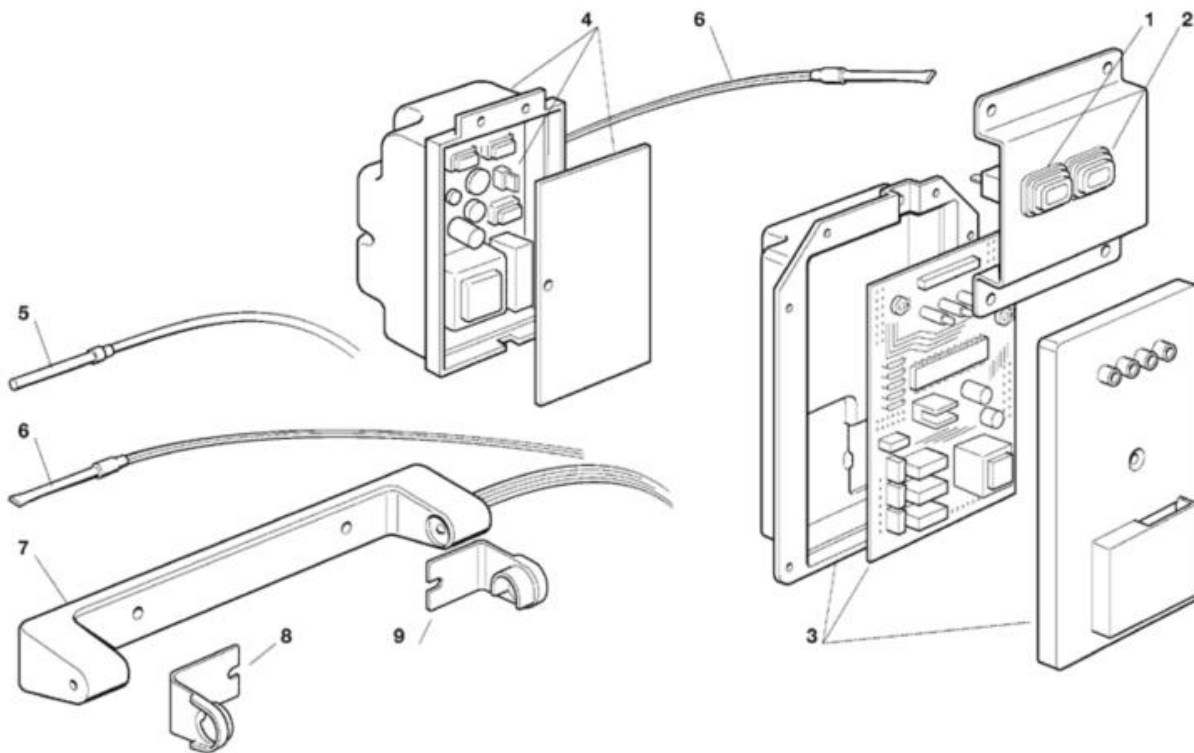
Pos	Code	Description
0001	650105 52	WATER IN. VALVE - 230/50-60 - AIR COOLED
0002	281900 01	TUBE 16X10
0003	793172 00R	WATER INLET ELBOW ASSY
0004	640041 31	O RING
0005	721937 00	METAL BRACKET
0006	620423 00	WATER PUMP - 230/50/1
0006	620433 01	WATER PUMP 230/60
0007	610150 03	TUBE
0008	650665 33	SPRAY BAR - MEDIUM
0008	650665 34	SPRAY BAR - LARGE
0009	660557 00	SPRAY CUP
0010	660558 00	SPRAY NOZZLE
0011	650741 00	CUBE DEFLECTOR - LARGE
0011	650741 01	CUBE DEFLECTOR - MEDIUM
0012	660224 00	TEE TUBE
0013	660535 00	PLASTIC NUT
0014	610148 10	TUBE
0015	610204 00	TUBE
0016	660219 02	BIN DRAIN
0017	640134 00	O RING 4093
0018	660211 01	DRAIN FILTER
0019	660777 01	SPRAY SYSTEM SEAT
0020	640041 32	O RING
0021	650105 74	WATER INLET VALVE ASSY - 230V - WATER



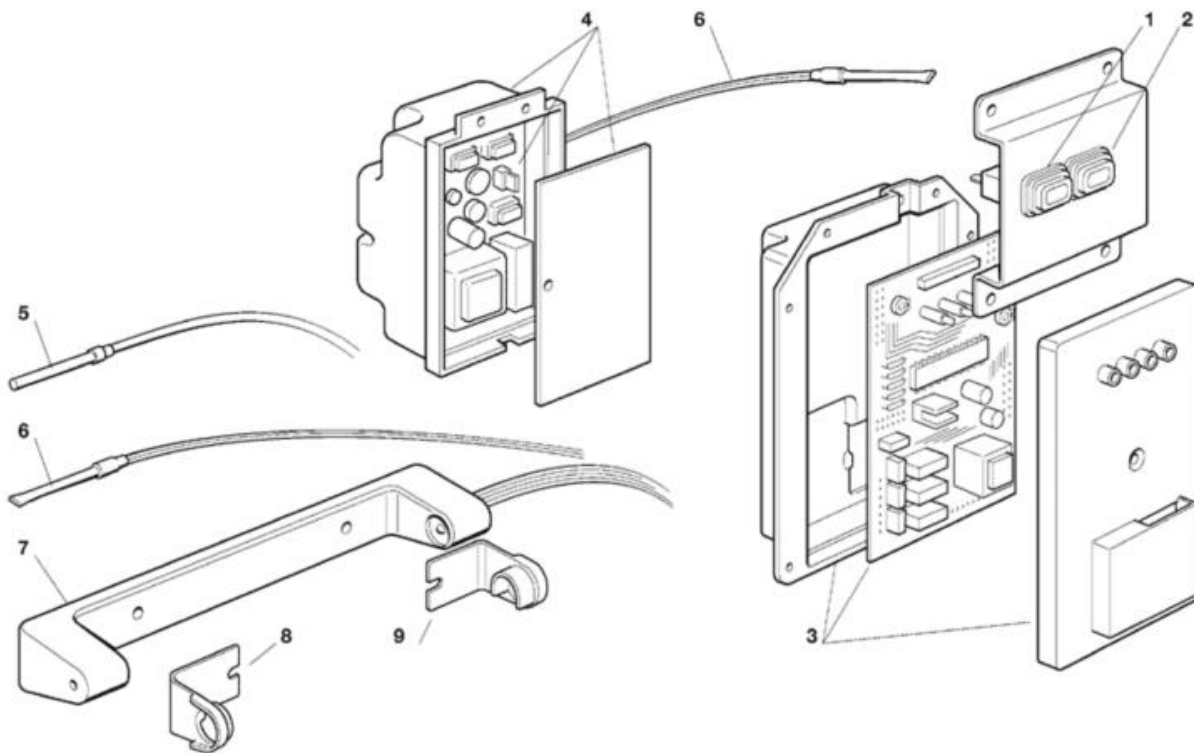
Pos	Code	Description
0001	650105 52	WATER IN. VALVE - 230/50-60 - AIR COOLED
0002	281900 01	TUBE 16X10
0003	793172 00R	WATER INLET ELBOW ASSY
0004	640041 31	O RING
0005	721937 00	METAL BRACKET
0006	620423 00	WATER PUMP - 230/50/1
0006	620433 01	WATER PUMP 230/60
0007	610150 03	TUBE
0008	650665 33	SPRAY BAR - MEDIUM
0008	650665 34	SPRAY BAR - LARGE
0009	660557 00	SPRAY CUP
0010	660558 00	SPRAY NOZZLE
0011	650741 00	CUBE DEFLECTOR - LARGE
0011	650741 01	CUBE DEFLECTOR - MEDIUM
0012	660224 00	TEE TUBE
0013	660535 00	PLASTIC NUT
0014	610148 10	TUBE
0015	610204 00	TUBE
0016	660219 02	BIN DRAIN
0017	640134 00	O RING 4093
0018	660211 01	DRAIN FILTER
0019	660777 01	SPRAY SYSTEM SEAT
0020	640041 32	O RING
0021	650105 66	WATER INLET VALVE ASSY - 230V - AIR



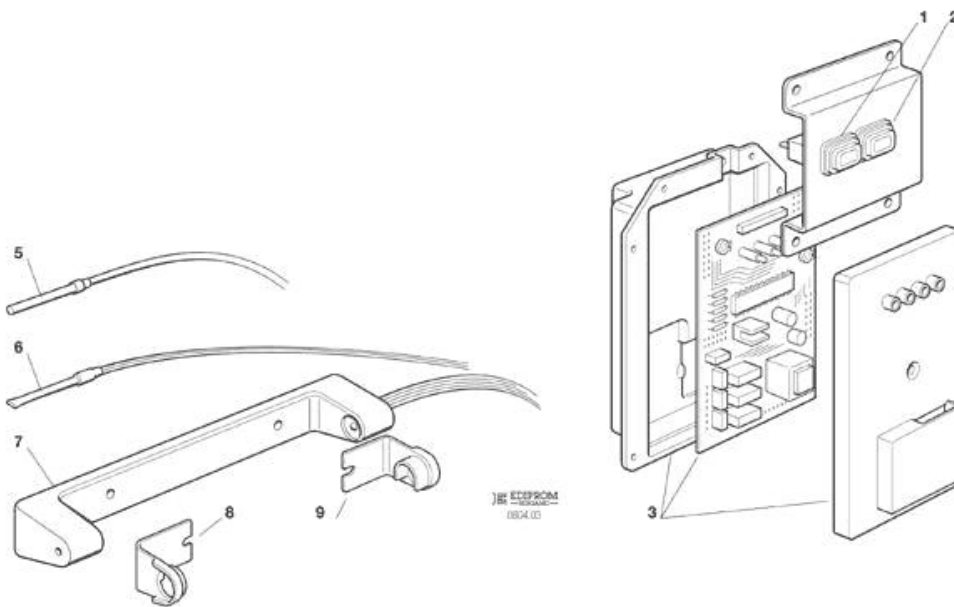
Pos	Code	Description
0001	060666 00	SWITCHES ASSY
0002	060666 00	SWITCHES ASSY
0003	060711 00	PC BOARD KIT
0004	060711 30	PC BOARD ASSY - CLEANING REMIND - 230V
0004	620489 01	3 WIRES CABLE
0005	620404 10	EVAPORATOR SENSOR
0006	620404 11	CONDENSER SENSOR
0007	650674 05	ICE LEVEL SENSOR
0008	660720 00	PLASTIC COVER
0009	660720 01	PLASTIC COVER



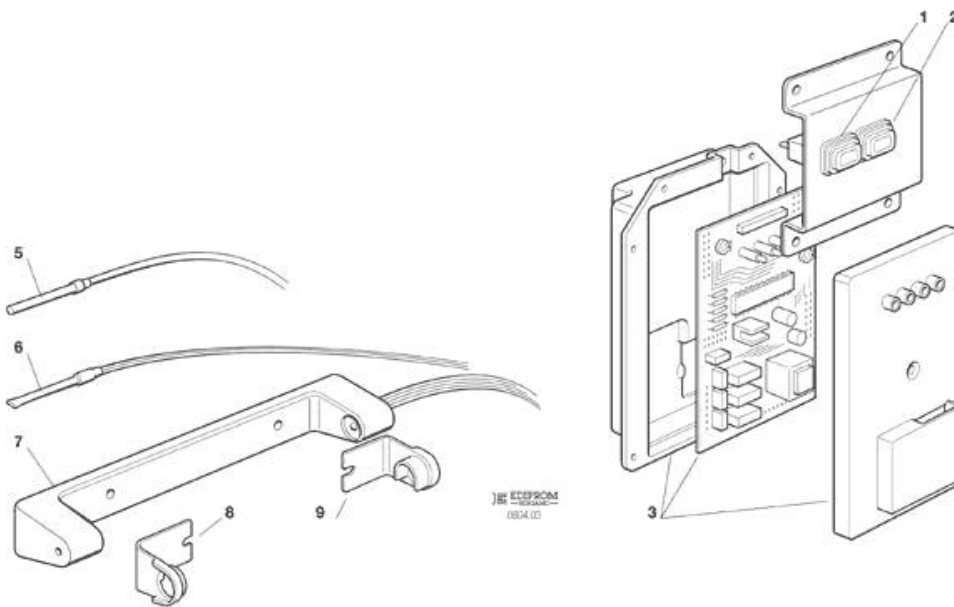
Pos	Code	Description
0001	620487 03	PUSH BUTTON SWITCH
0001	620487 04	PLASTIC PROTECTION
0001	620504 00	WARNING LIGHT
0002	620487 02	LIGHTED SWITCH
0002	620487 04	PLASTIC PROTECTION
0003	060711 00	PC BOARD KIT
0004	060711 30	PC BOARD ASSY - CLEANING REMIND - 230V
0004	620489 01	3 WIRES CABLE
0005	620404 10	EVAPORATOR SENSOR
0006	620404 11	CONDENSER SENSOR
0007	650674 05	ICE LEVEL SENSOR
0008	660720 00	PLASTIC COVER
0009	660720 01	PLASTIC COVER



Pos	Code	Description
0001	620487 01	WARNING LIGHT - RESET BUTTON
0002	620487 00	MASTER LIGHTED SWITCH
0003	060711 00	PC BOARD KIT
0004	060711 30	PC BOARD ASSY - CLEANING REMIND - 230V
0004	620489 01	3 WIRES CABLE
0005	620404 10	EVAPORATOR SENSOR
0006	620404 11	CONDENSER SENSOR
0007	650674 05	ICE LEVEL SENSOR
0008	660720 00	PLASTIC COVER
0009	660720 01	PLASTIC COVER



Pos	Code	Description
0001	620487 01	WARNING LIGHT - RESET BUTTON
0002	620487 00	MASTER LIGHTED SWITCH
0003	060711 00	PC BOARD KIT
0003	620489 01	3 WIRES CABLE
0005	620404 10	EVAPORATOR SENSOR
0006	620404 11	CONDENSER SENSOR
0007	650674 05	ICE LEVEL SENSOR
0008	660720 00	PLASTIC COVER
0009	660720 01	PLASTIC COVER



Pos	Code	Description
0001	620487 01	WARNING LIGHT - RESET BUTTON
0002	620487 00	MASTER LIGHTED SWITCH
0003	620462 11	PC BOARD
0003	620489 01	3 WIRES CABLE
0003	630015 15	FUSIBLE - T6.4A-250V
0005	620519 01	EVAPORATOR SENSOR
0006	620519 04	CONDENSER SENSOR
0007	650674 05	ICE LEVEL SENSOR
0008	660720 00	PLASTIC COVER
0009	660720 01	PLASTIC COVER