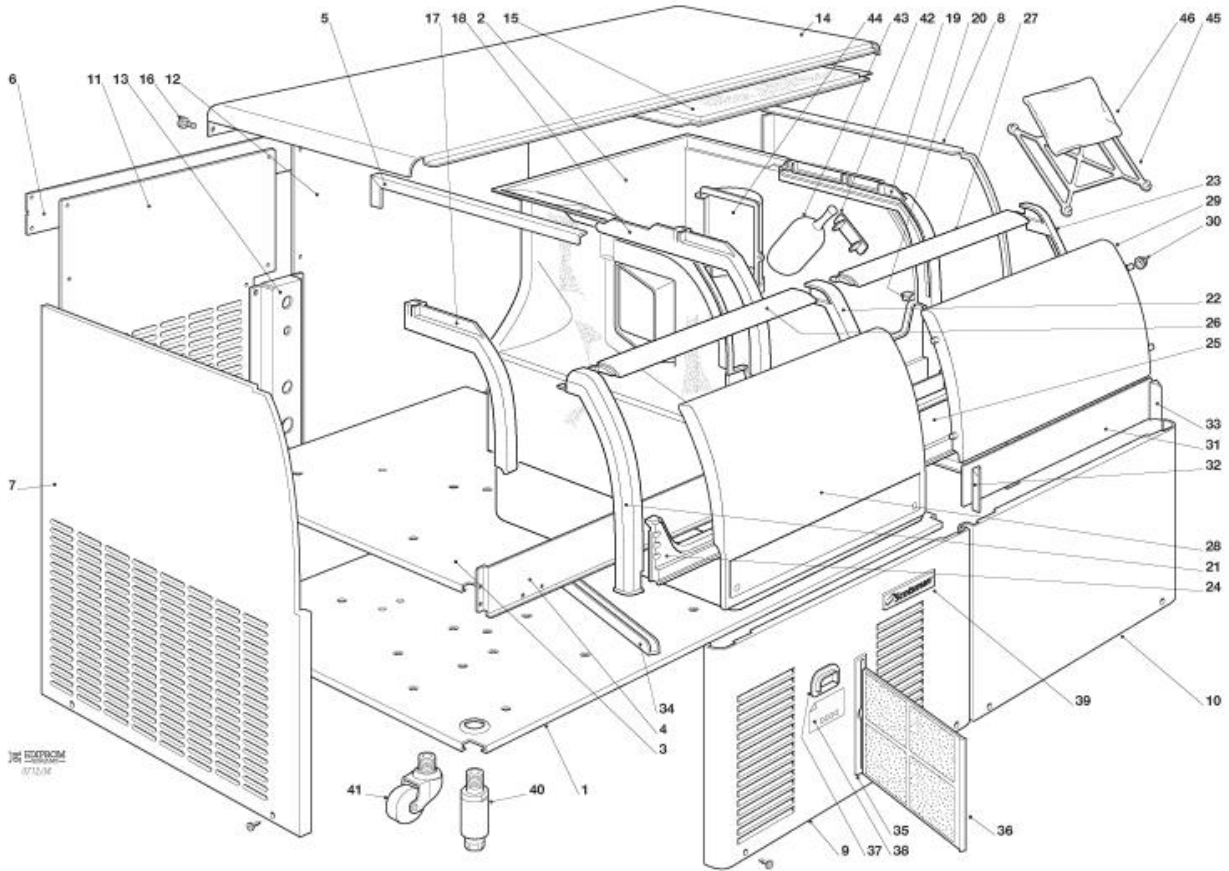
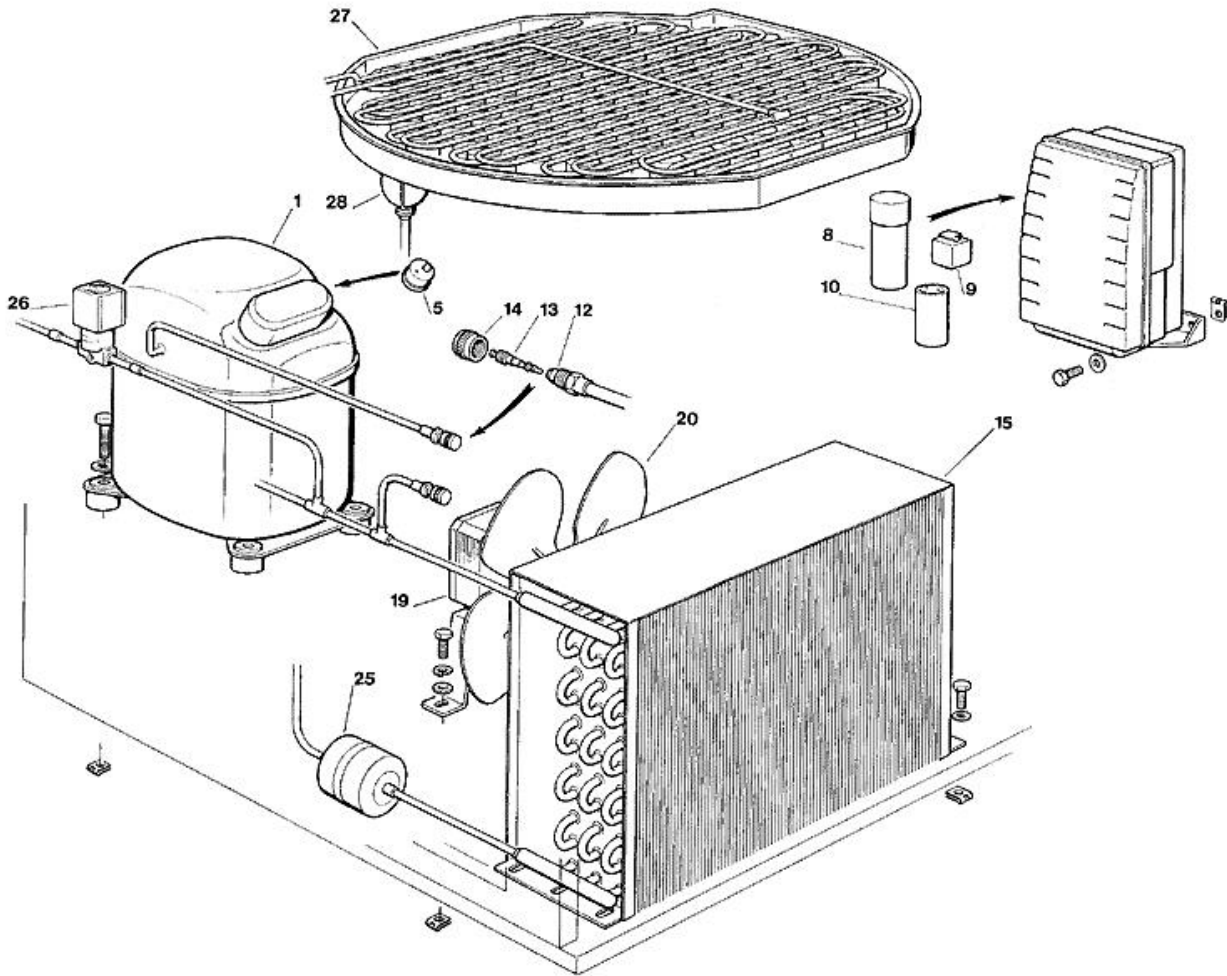


- 1 UNIT PANELS
- 2 REFRIGERANT SYSTEM AIR COOLED - UP TO S.N. 00743
- 3 REFRIGERANT SYSTEM AIR COOLED - FROM TO S.N. 00744
- 4 REFRIGERANT SYSTEM WATER COOLED - UP TO S.N. 00743
- 5 REFRIGERANT SYSTEM WATER COOLED - FROM S.N. 00744
- 6 WATER SYSTEM
- 7 CONTROL BOX AND P.C. BOARD - UP TO S.N. 00121
- 8 CONTROL BOX AND P.C. BOARD ASSY - FROM S.N. 00122 TO S.N. 00258
- 9 CONTROL BOX AND P.C. BOARD ASSY - FROM S.N. 00259 TO S.N. 00340
- 10 P.C. BOARD AND SENSORS ASSY - FROM S.N. 00341 UP TO S.N. 00554
- 11 P.C. BOARD AND SENSORS ASSY - FROM S.N. 00555

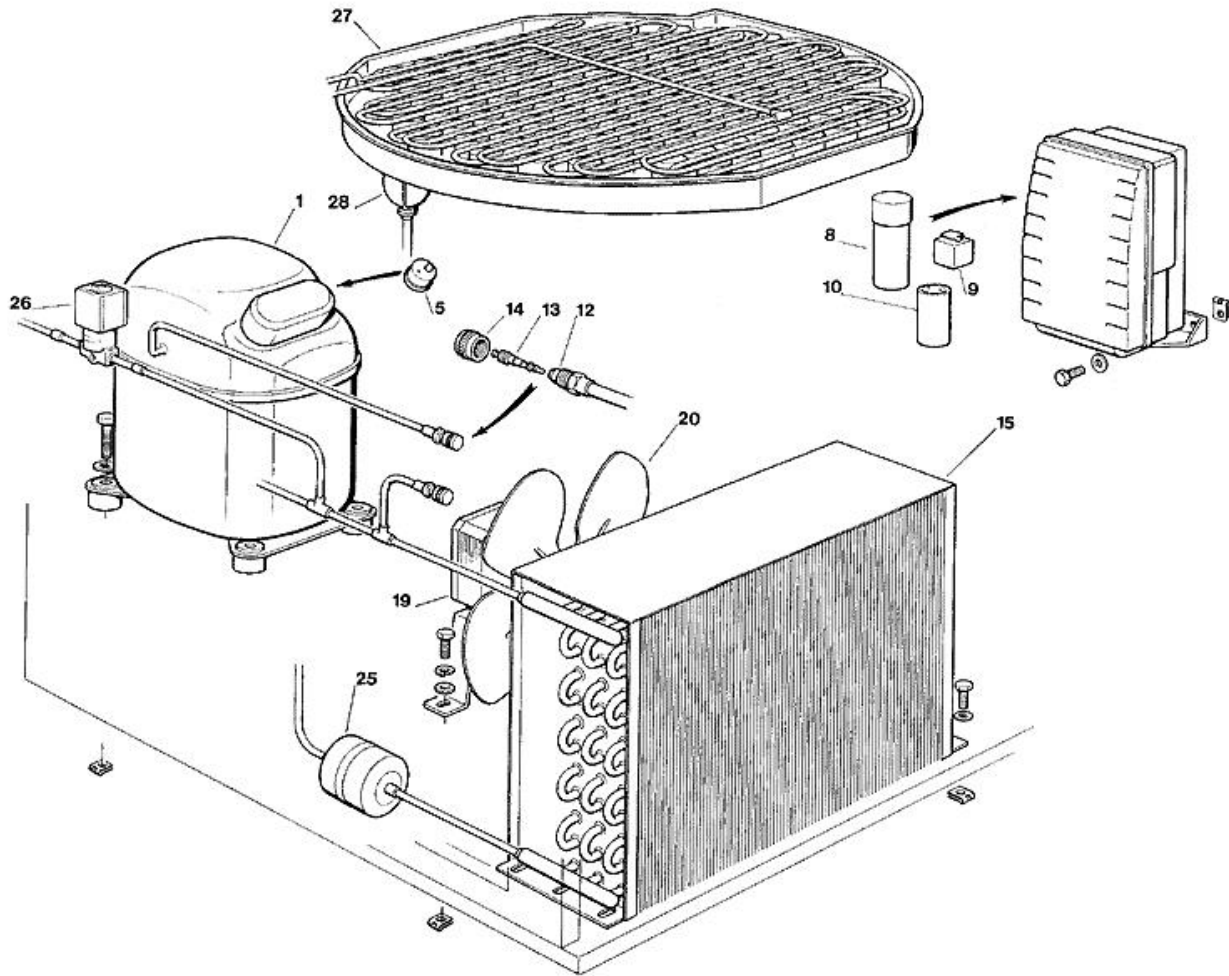


| Pos  | Code       | Description                     |
|------|------------|---------------------------------|
| 0001 | 781460 00  | UNIT BASE                       |
| 0002 | 782107 00R | STORAGE BIN ASSY                |
| 0003 | 702480 00  | SUPPORT, EVAPORATOR             |
| 0004 | 702479 00  | FRONT TRIM                      |
| 0005 | 702497 00  | UPPER METAL BRACKET             |
| 0006 | 702478 00  | REAR TRIM                       |
| 0007 | 722257 00  | LEFT SIDE PANEL                 |
| 0008 | 722258 00  | RIGHT SIDE PANEL                |
| 0009 | 722260 00  | FRONT LEFT SIDE PANEL - AIR     |
| 0009 | 722260 01  | FRONT LEFT SIDE PANEL - EAU     |
| 0010 | 722261 00  | FRONT RIGHT SIDE PANEL          |
| 0011 | 702474 00  | REAR LEFT SIDE PANEL            |
| 0012 | 702475 00  | REAR RIGHT SIDE PANEL           |
| 0013 | 702408 00  | HOOK UP PANEL                   |
| 0014 | 781465 00R | TOP PANEL ASSY                  |
| 0015 | 650952 00  | INSULATION                      |
| 0015 | 660866 00  | PLASTIC PROTECTION              |
| 0016 | 650806 00  | THUMB SCREW                     |
| 0017 | 660784 01  | LEFT SIDE TRACK                 |
| 0018 | 660784 02  | GUIDE, LEFT SIDE                |
| 0019 | 660784 00  | RIGHT SIDE TRACK                |
| 0020 | 660816 00  | SHOCK ABSORBER                  |
| 0021 | 660832 00  | LEFT SIDE DOOR FRAME            |
| 0022 | 660845 00  | DOOR FRAME, LEFT SIDE           |
| 0023 | 660832 01  | RIGHT SIDE DOOR FRAME           |
| 0024 | 660857 01  | SERVICE DOOR FRAME BOTTOM LINER |
| 0025 | 660833 01  | BOTTOM DOOR FRAME               |
| 0026 | 660785 02  | DOOR FRAME, UPPER SIDE          |
| 0026 | 724428 01  | U SHAPE BRKT                    |
| 0027 | 660785 01  | UPPER DOOR FRAME                |
| 0027 | 724428 02  | U SHAPE BRKT                    |
| 0028 | 660848 01  | SERVICE DOOR                    |
| 0028 | 722315 00  | METAL STRIP                     |
| 0029 | 660786 01  | BIN DOOR                        |
| 0030 | 660286 00  | BUSHING                         |
| 0031 | 721938 01  | S.S. FRONT LINER                |
| 0032 | 660837 01  | CORNER PROTECTION LEFT          |
| 0033 | 660837 00  | CORNER PROTECTION RIGHT         |
| 0034 | 660817 00  | SLIDE, AIR FILTER               |
| 0035 | 660804 02  | AIR FILTER SEAT                 |
| 0036 | 660805 02  | AIR FILTER                      |
| 0037 | 660829 00  | FRONT SWITCH PLASTIC PROTECTION |
| 0038 | 650624 07  | LABEL                           |
| 0039 | 650850 00  | SCOTSMAN LOGO                   |
| 0040 | 650670 06  | LEGS KIT                        |

| Pos  | Code      | Description                    |
|------|-----------|--------------------------------|
| 0041 | 650975 00 | STEERING WHEEL                 |
| 0042 | 660767 01 | SCOOP HOLDER                   |
| 0043 | 650923 00 | SCOOP                          |
| 0044 | 660860 00 | PLASTIC COVER                  |
| 0045 | 660831 00 | RUBBER BRACKET, SANITISING BAG |
| 0046 | 650909 00 | SANITISING BAG                 |



| Pos  | Code        | Description              |
|------|-------------|--------------------------|
| 0001 | 670100 10   | COMPRESSOR 230/50        |
| 0001 | 670100 11   | COMPRESSOR 230/60        |
| 0005 | CUB 102197  | PROTECTOR 230/50         |
| 0008 | 620167 33   | RUN CAPACITOR            |
| 0008 | 620520 01   | CAPACITOR                |
| 0009 | 620057 54   | RELAY - 230/60           |
| 0009 | CUB 100390  | RELAY - 230/50/1         |
| 0010 | EMB 2252347 | CAPACITOR - 230/50/1     |
| 0012 | 650109 00   | VALVE BODY               |
| 0013 | 670012 00   | VALVE CORE               |
| 0014 | 650106 00   | CAP                      |
| 0015 | 620436 00   | CONDENSER                |
| 0019 | 620419 04   | FAN MOTOR - 230/50-60    |
| 0019 | 620419 05   | FAN MOTOR - 115/60       |
| 0020 | 620419 34   | FAN BLADE - 50HZ         |
| 0025 | 670006 01   | FILTER                   |
| 0026 | 620306 17   | COIL - 115/60            |
| 0026 | 620306 46   | HOT GAS VALVE BODY       |
| 0026 | 620306 48   | COIL - 230/50-60         |
| 0027 | 784434 02   | EVAPORATOR ASSY - LARGE  |
| 0027 | 784435 02   | EVAPORATOR ASSY - MEDIUM |
| 0027 | 784436 01   | EVAPORATOR ASSY - SMALL  |
| 0028 | 784665 01R  | INS. SUCTION LINE        |

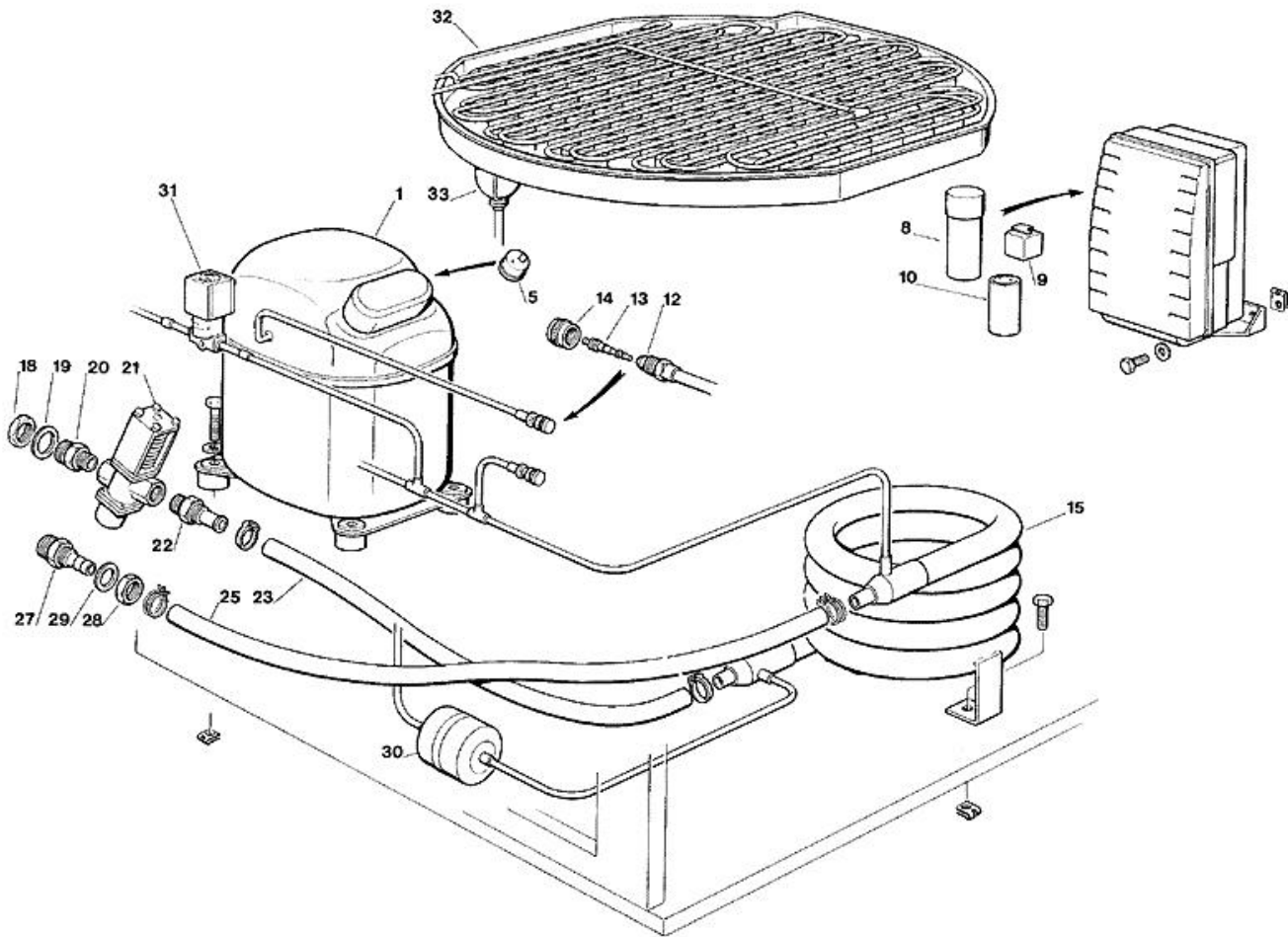


| Pos  | Code        | Description                    |
|------|-------------|--------------------------------|
| 0001 | 670101 03   | COMPRESSOR 230/50/1            |
| 0001 | 670101 04   | COMPRESSOR 230/60/1            |
| 0005 | 620058 04   | PROTECTOR 230/60               |
| 0005 | 620058 51   | PROTECTOR 230/50               |
| 0008 | 620167 21   | CAPACITOR - 15 MFD/400V        |
| 0008 | 620520 01   | CAPACITOR                      |
| 0009 | 620168 22   | RELAY - 230/50                 |
| 0009 | 620168 25   | RELAY - 230/60                 |
| 0010 | 620167 00   | START CAPACITOR 88-108MFD/330V |
| 0010 | 620167 01   | START CAPACITOR 64-77 MFD/330V |
| 0010 | EMB 2252347 | CAPACITOR - 230/50/1           |
| 0012 | 650109 00   | VALVE BODY                     |
| 0013 | 670012 00   | VALVE CORE                     |
| 0014 | 650106 00   | CAP                            |
| 0015 | 620436 00   | CONDENSER                      |
| 0019 | 620419 04   | FAN MOTOR - 230/50-60          |
| 0019 | 620419 05   | FAN MOTOR - 115/60             |
| 0020 | 620419 34   | FAN BLADE - 50HZ               |
| 0025 | 670006 01   | FILTER                         |
| 0026 | 620306 17   | COIL - 115/60                  |
| 0026 | 620306 46   | HOT GAS VALVE BODY             |
| 0026 | 620306 48   | COIL - 230/50-60               |
| 0027 | 784434 02   | EVAPORATOR ASSY - LARGE        |
| 0027 | 784435 02   | EVAPORATOR ASSY - MEDIUM       |
| 0027 | 784436 01   | EVAPORATOR ASSY - SMALL        |
| 0028 | 784665 01R  | INS. SUCTION LINE              |

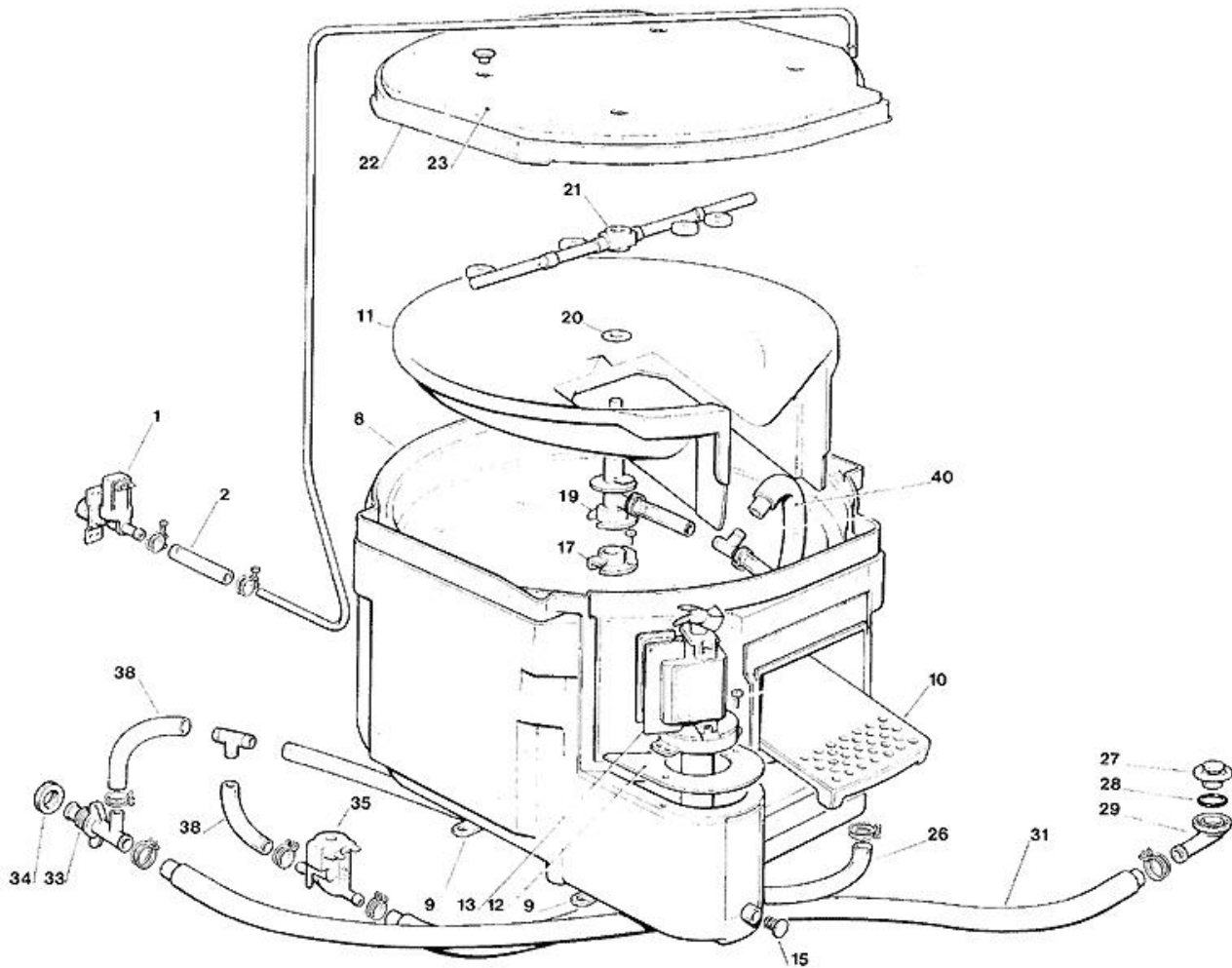




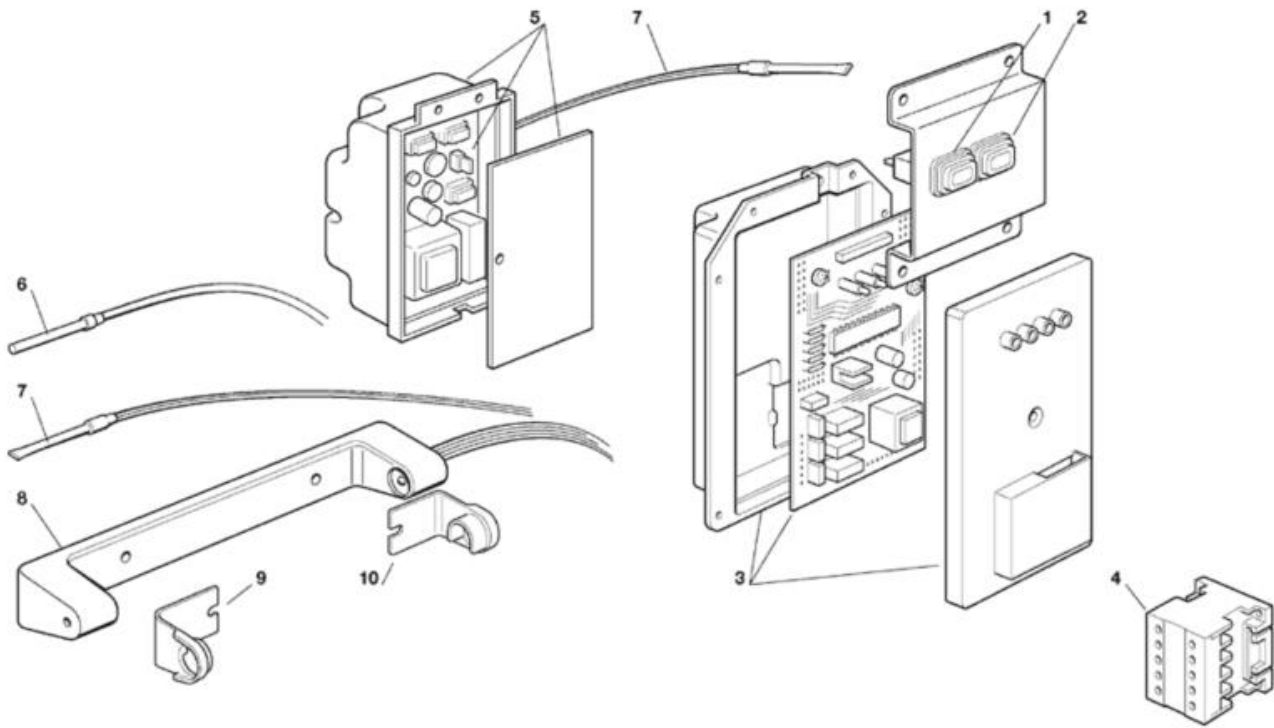
| Pos  | Code        | Description              |
|------|-------------|--------------------------|
| 0001 | 670100 10   | COMPRESSOR 230/50        |
| 0001 | 670100 11   | COMPRESSOR 230/60        |
| 0005 | CUB 102197  | PROTECTOR 230/50         |
| 0008 | 620167 33   | RUN CAPACITOR            |
| 0008 | 620520 01   | CAPACITOR                |
| 0009 | 620057 54   | RELAY - 230/60           |
| 0009 | CUB 100390  | RELAY - 230/50/1         |
| 0010 | EMB 2252347 | CAPACITOR - 230/50/1     |
| 0012 | 650109 00   | VALVE BODY               |
| 0013 | 670012 00   | VALVE CORE               |
| 0014 | 650106 00   | CAP                      |
| 0015 | 620495 02   | CONDENSER                |
| 0018 | 400053 00   | NUT                      |
| 0019 | 400031 01   | WASHER                   |
| 0020 | 733204 00   | WATER INLET FITTING      |
| 0021 | 620111 00   | WATER REGUL. VALVE       |
| 0022 | 733173 01   | FITTING                  |
| 0023 | 281900 03   | TUBE 18X12               |
| 0025 | 281900 03   | TUBE 18X12               |
| 0027 | 660291 00   | TEE TUBE (D13)           |
| 0028 | 400030 01   | NUT                      |
| 0029 | 400031 00   | WASHER                   |
| 0030 | 670006 01   | FILTER                   |
| 0031 | 620306 17   | COIL - 115/60            |
| 0031 | 620306 46   | HOT GAS VALVE BODY       |
| 0031 | 620306 48   | COIL - 230/50-60         |
| 0032 | 784434 02   | EVAPORATOR ASSY - LARGE  |
| 0032 | 784435 02   | EVAPORATOR ASSY - MEDIUM |
| 0032 | 784436 01   | EVAPORATOR ASSY - SMALL  |
| 0033 | 784665 01R  | INS. SUCTION LINE        |



| Pos  | Code        | Description                    |
|------|-------------|--------------------------------|
| 0001 | 670101 03   | COMPRESSOR 230/50/1            |
| 0001 | 670101 04   | COMPRESSOR 230/60/1            |
| 0005 | 620058 04   | PROTECTOR 230/60               |
| 0005 | 620058 51   | PROTECTOR 230/50               |
| 0008 | 620167 21   | CAPACITOR - 15 MFD/400V        |
| 0008 | 620520 01   | CAPACITOR                      |
| 0009 | 620168 22   | RELAY - 230/50                 |
| 0009 | 620168 25   | RELAY - 230/60                 |
| 0010 | 620167 00   | START CAPACITOR 88-108MFD/330V |
| 0010 | 620167 01   | START CAPACITOR 64-77 MFD/330V |
| 0010 | EMB 2252347 | CAPACITOR - 230/50/1           |
| 0012 | 650109 00   | VALVE BODY                     |
| 0013 | 670012 00   | VALVE CORE                     |
| 0014 | 650106 00   | CAP                            |
| 0015 | 620495 02   | CONDENSER                      |
| 0018 | 400053 00   | NUT                            |
| 0019 | 400031 01   | WASHER                         |
| 0020 | 733204 00   | WATER INLET FITTING            |
| 0021 | 620111 00   | WATER REGUL. VALVE             |
| 0022 | 733173 01   | FITTING                        |
| 0023 | 281900 03   | TUBE 18X12                     |
| 0025 | 281900 03   | TUBE 18X12                     |
| 0027 | 660291 00   | TEE TUBE (D13)                 |
| 0028 | 400030 01   | NUT                            |
| 0029 | 400031 00   | WASHER                         |
| 0030 | 670006 01   | FILTER                         |
| 0031 | 620306 17   | COIL - 115/60                  |
| 0031 | 620306 46   | HOT GAS VALVE BODY             |
| 0031 | 620306 48   | COIL - 230/50-60               |
| 0032 | 784434 02   | EVAPORATOR ASSY - LARGE        |
| 0032 | 784435 02   | EVAPORATOR ASSY - MEDIUM       |
| 0032 | 784436 01   | EVAPORATOR ASSY - SMALL        |
| 0033 | 784665 01R  | INS. SUCTION LINE              |

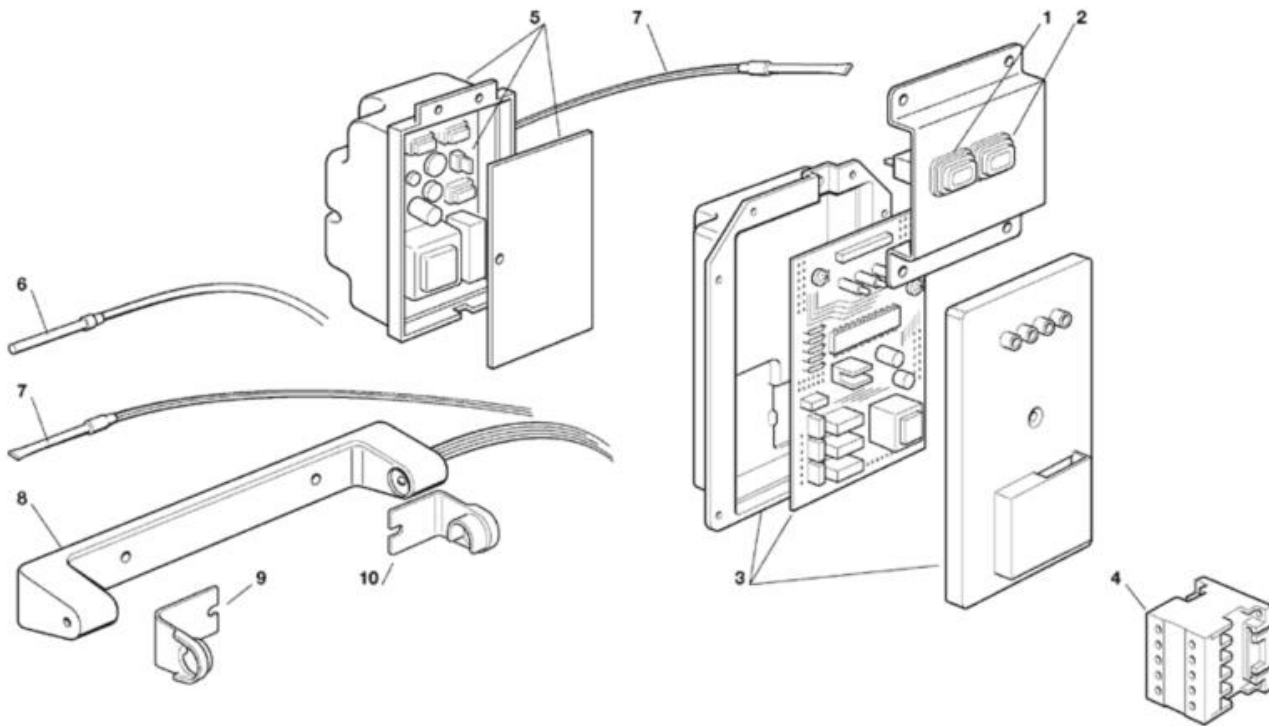


| Pos  | Code       | Description               |
|------|------------|---------------------------|
| 0001 | 650105 54  | INLET VALVE - 230/50 - 60 |
| 0001 | 650105 56  | WATER INLET VALVE - 115   |
| 0002 | 281900 04  | TUBE                      |
| 0008 | 784344 00R | SUMP & FREEZING CHAMBER   |
| 0009 | 660489 00  | BRACKET                   |
| 0010 | 660488 01  | MOBILE INNER BOTTOM       |
| 0011 | 660487 01  | INNER BOTTOM              |
| 0012 | 723132 04  | METAL BRACKET             |
| 0013 | 620430 00  | WATER PUMP 230/50         |
| 0013 | 620430 01  | WATER PUMP 115/60         |
| 0013 | 620430 02  | WATER PUMP 230/60         |
| 0015 | 650550 00  | PLASTIC PLUG              |
| 0017 | 660483 00  | PLASTIC FLANGE            |
| 0019 | 660475 00  | BEARING                   |
| 0020 | 440013 06  | TRUST WASHER              |
| 0021 | 793127 00  | SPRAY BAR                 |
| 0022 | 660491 00  | EVAPORATOR COVER          |
| 0023 | 650538 00  | INSULATION                |
| 0026 | 610213 00  | HOSE ASSY                 |
| 0027 | 660211 01  | DRAIN FILTER              |
| 0028 | 640134 00  | O RING 4093               |
| 0029 | 660213 01  | FITTING                   |
| 0031 | 610148 10  | TUBE                      |
| 0033 | 660224 00  | TEE TUBE                  |
| 0034 | 660535 00  | PLASTIC NUT               |
| 0035 | 620460 00  | WATER DRAIN VALVE         |
| 0038 | 610213 00  | HOSE ASSY                 |
| 0040 | 610188 00  | TUBE                      |

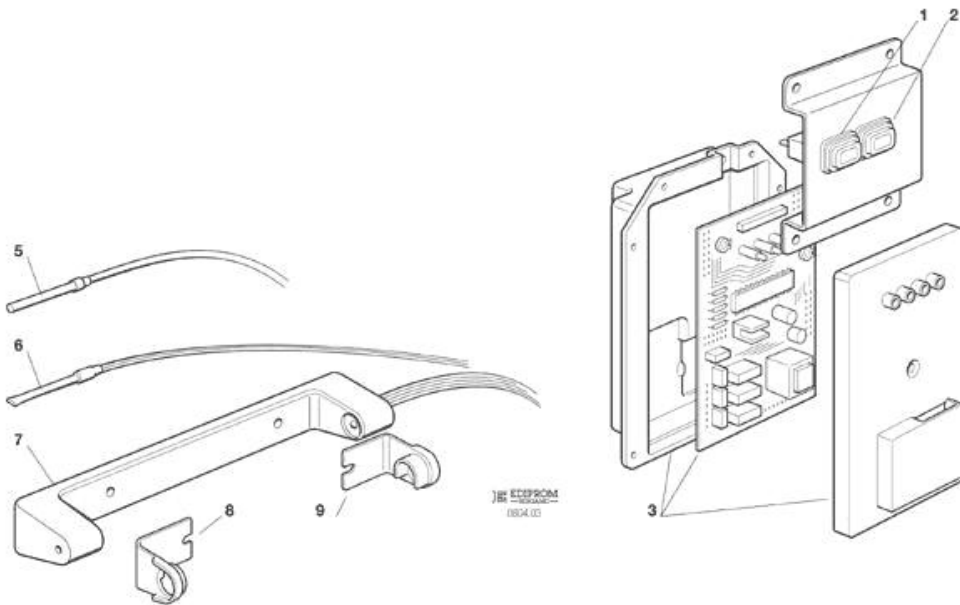


| Pos  | Code       | Description                            |
|------|------------|--|
| 0001 | 060666 00  | SWITCHES ASSY                          |
| 0002 | 060666 00  | SWITCHES ASSY                          |
| 0003 | 060711 00  | PC BOARD KIT                           |
| 0003 | 620462 01  | P. C. BOARD ASSY - 115/60/1            |
| 0004 | 630119 00  | CONTACTOR                              |
| 0004 | 630124 07  | CONTACTOR - 115/60                     |
| 0005 | 060711 30  | PC BOARD ASSY - CLEANING REMIND - 230V |
| 0005 | 620489 01  | 3 WIRES CABLE                          |
| 0005 | 785104 03R | PC BOARD ASSY - CLEANING REMIND - 115V |
| 0006 | 620404 10  | EVAPORATOR SENSOR                      |
| 0007 | 620404 11  | CONDENSER SENSOR                       |
| 0008 | 650674 00  | ICE LEVEL CONTROL                      |
| 0009 | 660720 00  | PLASTIC COVER                          |
| 0010 | 660720 01  | PLASTIC COVER                          |

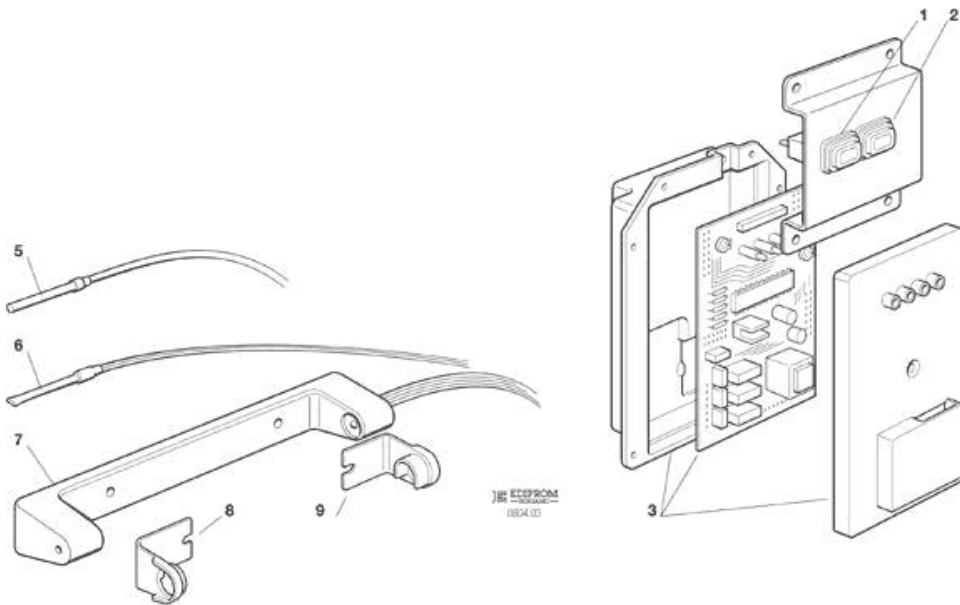




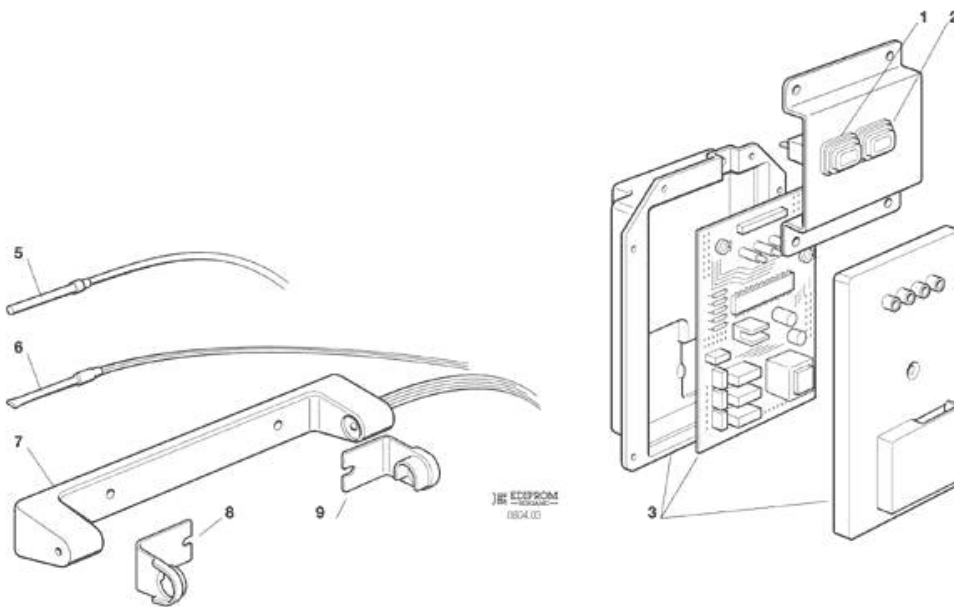
| Pos  | Code       | Description                            |
|------|------------|--|
| 0001 | 620487 03  | PUSH BUTTON SWITCH                     |
| 0001 | 620487 04  | PLASTIC PROTECTION                     |
| 0001 | 620504 00  | WARNING LIGHT                          |
| 0002 | 620487 02  | LIGHTED SWITCH                         |
| 0002 | 620487 04  | PLASTIC PROTECTION                     |
| 0003 | 060711 00  | PC BOARD KIT                           |
| 0003 | 620462 01  | P. C. BOARD ASSY - 115/60/1            |
| 0004 | 630119 00  | CONTACTOR                              |
| 0004 | 630124 07  | CONTACTOR - 115/60                     |
| 0005 | 060711 30  | PC BOARD ASSY - CLEANING REMIND - 230V |
| 0005 | 620489 01  | 3 WIRES CABLE                          |
| 0005 | 785104 03R | PC BOARD ASSY - CLEANING REMIND - 115V |
| 0006 | 620404 10  | EVAPORATOR SENSOR                      |
| 0007 | 620404 11  | CONDENSER SENSOR                       |
| 0008 | 650674 00  | ICE LEVEL CONTROL                      |
| 0009 | 660720 00  | PLASTIC COVER                          |
| 0010 | 660720 01  | PLASTIC COVER                          |



| Pos  | Code      | Description        |
|------|-----------|--------------------|
| 0001 | 620487 03 | PUSH BUTTON SWITCH |
| 0001 | 620487 04 | PLASTIC PROTECTION |
| 0001 | 620504 00 | WARNING LIGHT      |
| 0002 | 620487 02 | LIGHTED SWITCH     |
| 0002 | 620487 04 | PLASTIC PROTECTION |
| 0003 | 060711 00 | PC BOARD KIT       |
| 0003 | 620489 01 | 3 WIRES CABLE      |
| 0005 | 620404 10 | EVAPORATOR SENSOR  |
| 0006 | 620404 11 | CONDENSER SENSOR   |
| 0007 | 650674 00 | ICE LEVEL CONTROL  |
| 0008 | 660720 00 | PLASTIC COVER      |
| 0009 | 660720 01 | PLASTIC COVER      |



| Pos  | Code      | Description                  |
|------|-----------|------------------------------|
| 0001 | 620487 01 | WARNING LIGHT - RESET BUTTON |
| 0002 | 620487 00 | MASTER LIGHTED SWITCH        |
| 0003 | 060711 00 | PC BOARD KIT                 |
| 0003 | 620489 01 | 3 WIRES CABLE                |
| 0005 | 620404 10 | EVAPORATOR SENSOR            |
| 0006 | 620404 11 | CONDENSER SENSOR             |
| 0007 | 650674 00 | ICE LEVEL CONTROL            |
| 0008 | 660720 00 | PLASTIC COVER                |
| 0009 | 660720 01 | PLASTIC COVER                |



| Pos  | Code      | Description                  |
|------|-----------|------------------------------|
| 0001 | 620487 01 | WARNING LIGHT - RESET BUTTON |
| 0002 | 620487 00 | MASTER LIGHTED SWITCH        |
| 0003 | 620462 11 | PC BOARD                     |
| 0003 | 620489 01 | 3 WIRES CABLE                |
| 0003 | 630015 15 | FUSIBLE - T6.4A-250V         |
| 0005 | 620519 01 | EVAPORATOR SENSOR            |
| 0006 | 620519 04 | CONDENSER SENSOR             |
| 0007 | 650674 00 | ICE LEVEL CONTROL            |
| 0008 | 660720 00 | PLASTIC COVER                |
| 0009 | 660720 01 | PLASTIC COVER                |