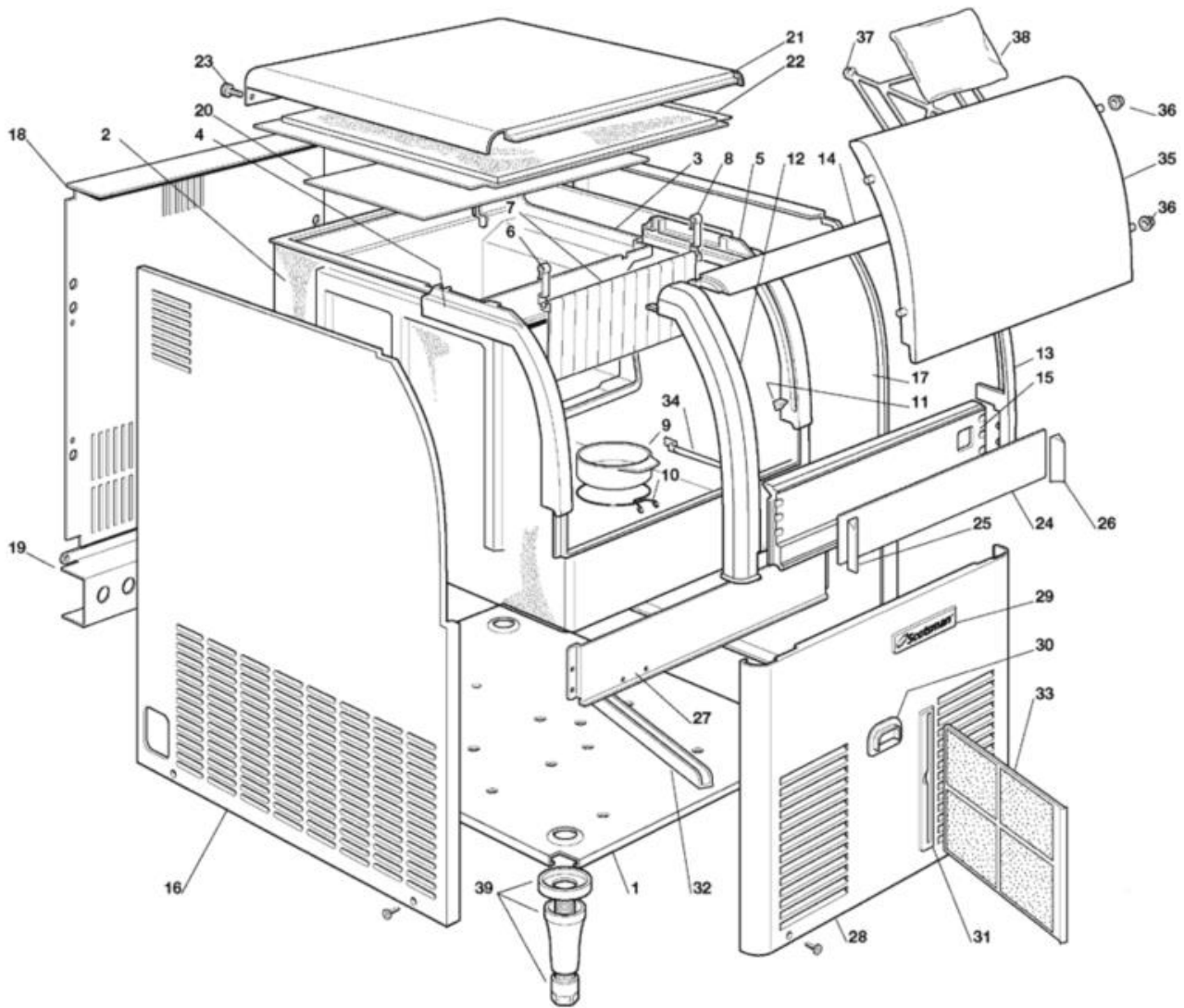
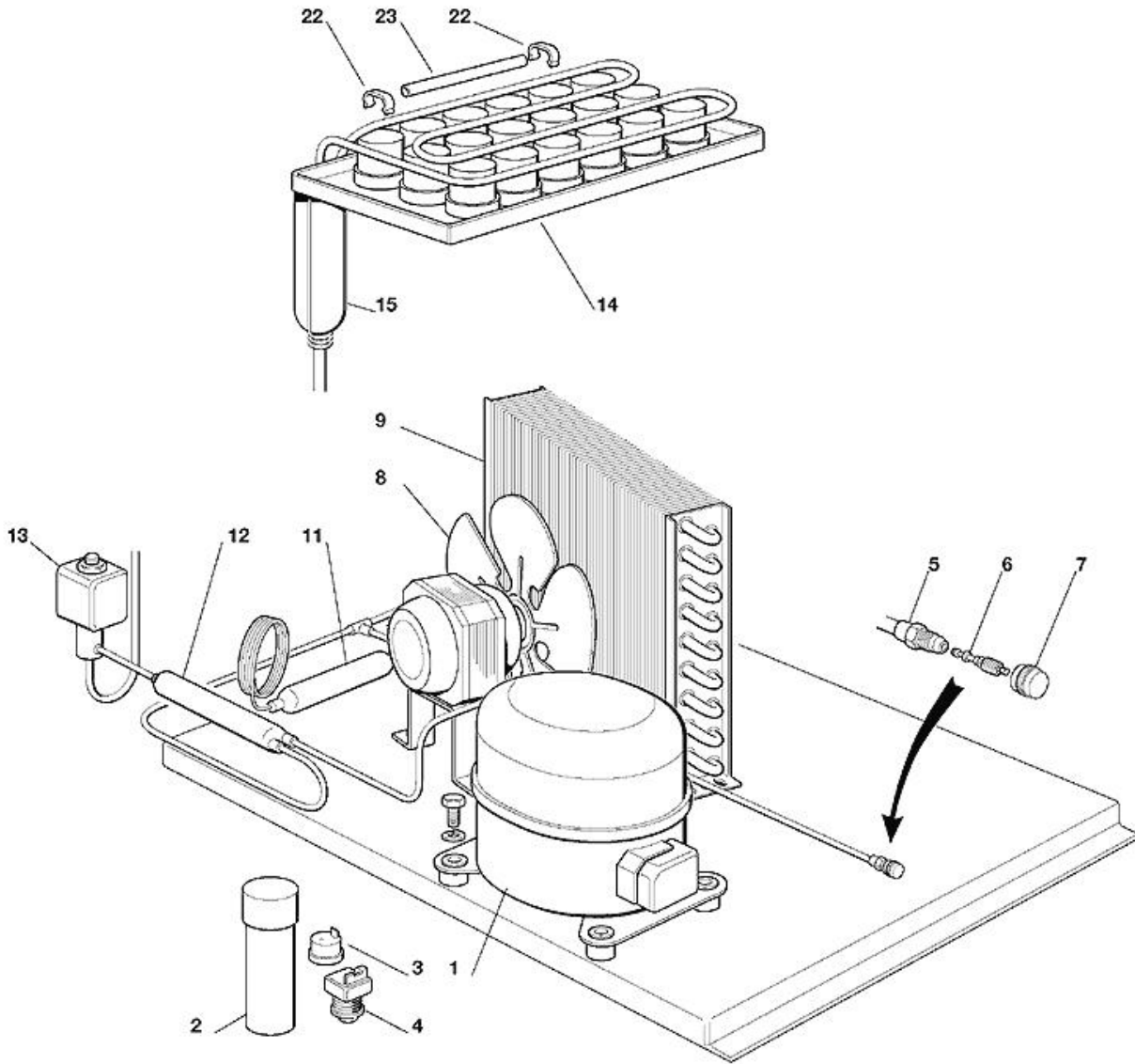


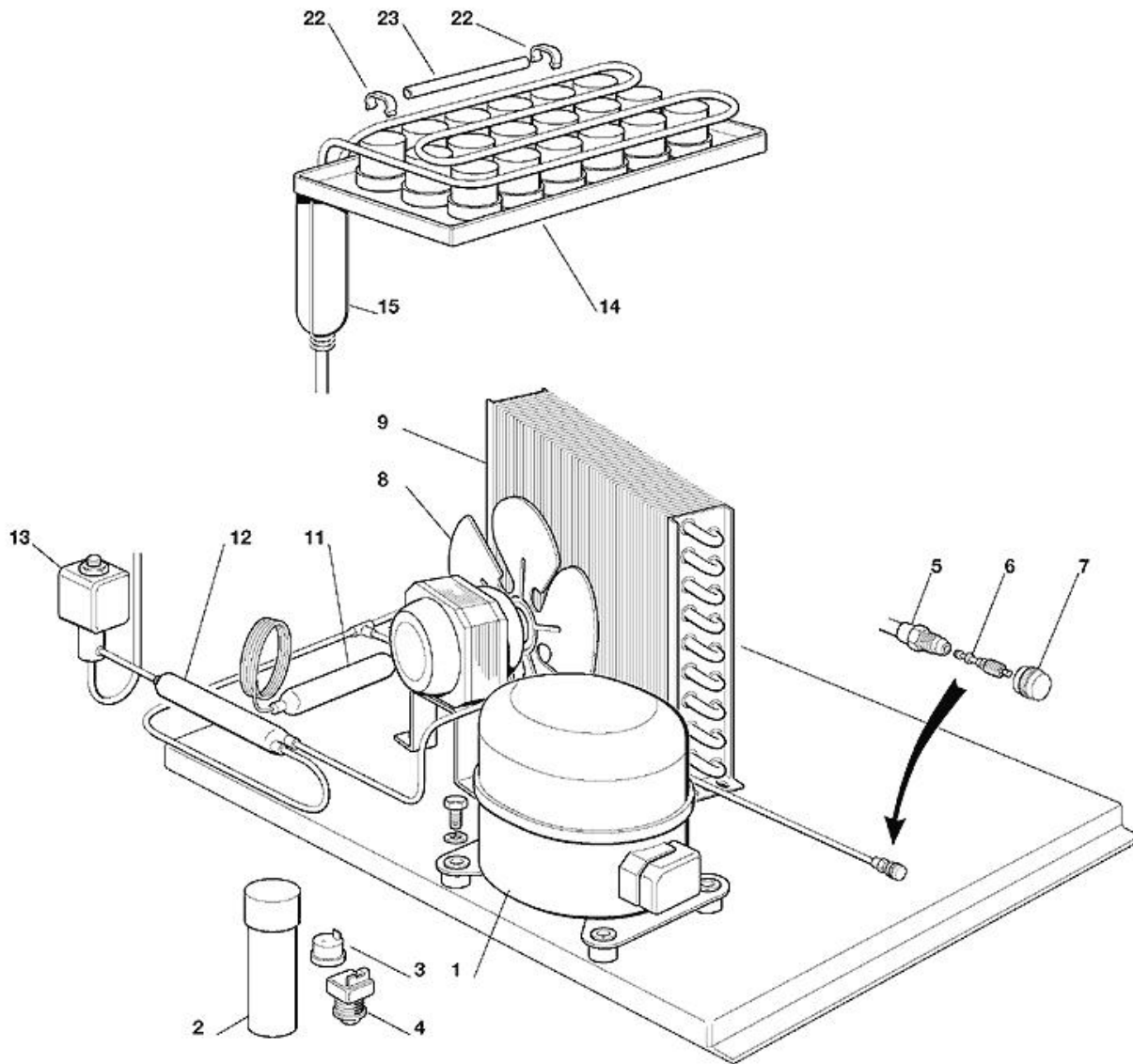
- 1 UNIT PANELS
- 2 REFRIGERANT SYSTEM AIR COOLED - UPTO S.N. 05915
- 3 REFRIGERANT SYSTEM AIR COOLED - FROM S.N. 05916 UP TO S.N. 08024
- 4 REFRIGERANT SYSTEM AIR COOLED - FROM S.N. 08025
- 5 REFRIGERANT SYSTEM WATER COOLED - UPTO S.N. 05915
- 6 REFRIGERANT SYSTEM WATER COOLED - FROM S.N. 05916 UP TO S.N. 08024
- 7 REFRIGERANT SYSTEM WATER COOLED - FROM S.N. 08025
- 8 WATER SYSTEM - M CUBES - UP TO S.N. 02303
- 9 WATER SYSTEM - M CUBES - FROM S.N. 02304
- 10 WATER SYSTEM - S & L CUBES - UP TO S.N. 02303
- 11 WATER SYSTEM - S & L CUBES - FROM S.N. 02304
- 12 CONTROL BOX AND P.C. BOARD - M & S CUBES - UP TO S.N. 01357
- 13 CONTROL BOX AND P.C. BOARD ASSY - M & S CUBES - FROM S.N. 01358 TO S.N. 01967
- 14 CONTROL BOX AND P.C. BOARD ASSY - M & S CUBES - FROM S.N. 01968 TO S.N. 05403
- 15 CONTROL BOX AND P.C. BOARD ASSY - M & S CUBES - FROM S.N. 05404
- 16 CONTROL BOX AND P.C. BOARD - L CUBES - UP TO S.N. 01357
- 17 CONTROL BOX AND P.C. BOARD ASSY - L CUBES - FROM S.N. 01358 TO S.N. 01967
- 18 CONTROL BOX AND P.C. BOARD ASSY - L CUBES - FROM S.N. 01968 TO S.N. 05028
- 19 CONTROL BOX AND P.C. BOARD ASSY - L CUBES - FROM S.N. 05029 TO 05403
- 20 CONTROL BOX AND P.C. BOARD ASSY - L CUBES - FROM S.N. 05404



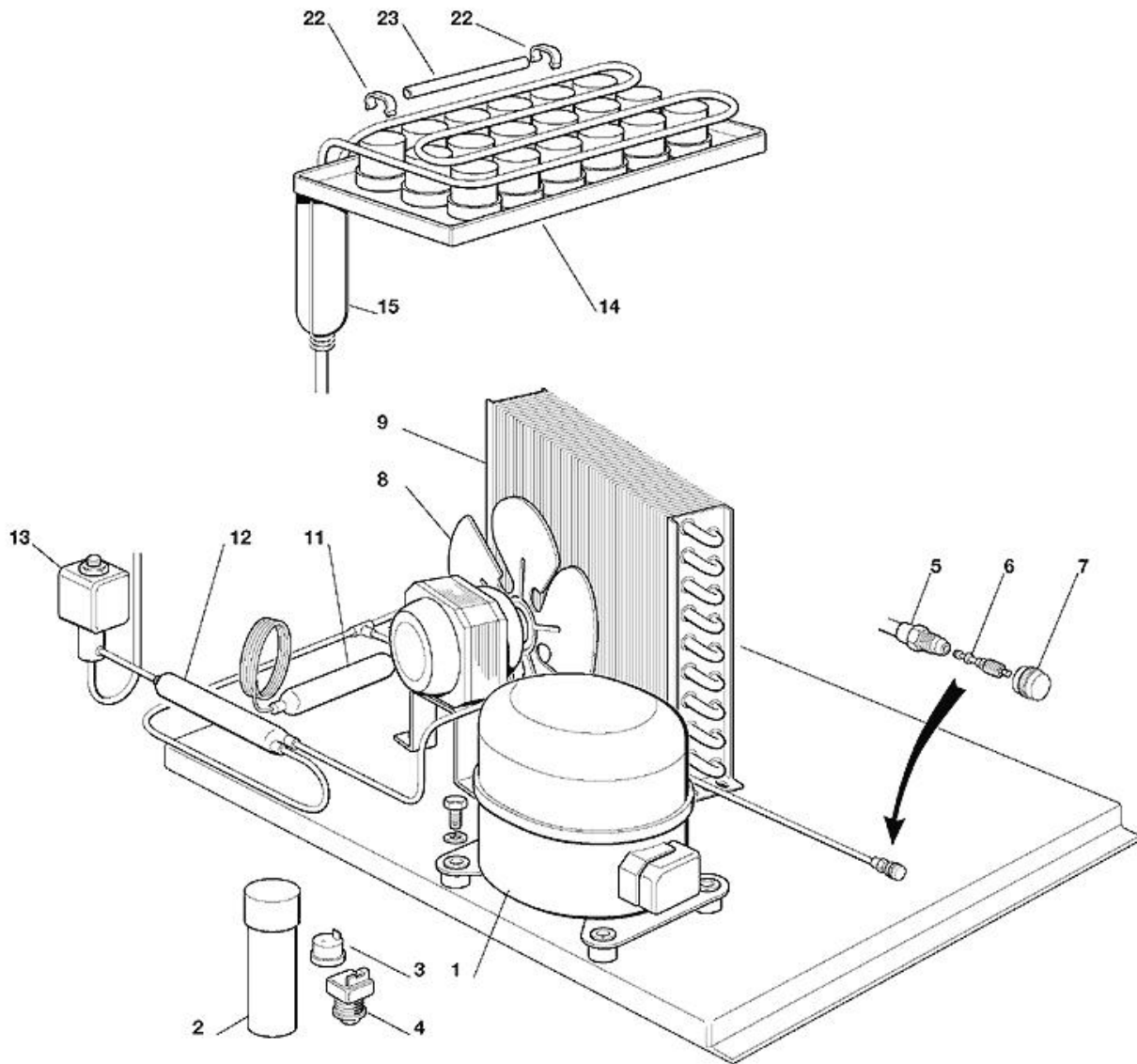
| Pos | Code | Description |
|------|------------|---------------------------------|
| 0001 | 791087 00 | UNIT BASE |
| 0002 | 782104 00R | STORAGE BIN ASSY |
| 0003 | 660823 00 | SUMP/EVAPORATOR HOUSING |
| 0004 | 660784 01 | LEFT SIDE TRACK |
| 0005 | 660784 00 | RIGHT SIDE TRACK |
| 0006 | 660388 01 | CURTAIN BRACKET (LEFT) |
| 0007 | 784457 06R | CURTAIN ASSY |
| 0007 | 784457 11R | CURTAIN ASSY - SMALL CUBES |
| 0008 | 660388 00 | CURTAIN BRACKET (RIGHT) |
| 0009 | 660741 00 | PLASTIC PLUG |
| 0010 | 460047 00 | SPRING |
| 0011 | 660816 00 | SHOCK ABSORBER |
| 0012 | 660832 00 | LEFT SIDE DOOR FRAME |
| 0013 | 660832 01 | RIGHT SIDE DOOR FRAME |
| 0014 | 660785 00 | UPPER DOOR FRAME |
| 0015 | 660833 00 | BOTTOM DOOR FRAME |
| 0016 | 721935 01 | PANEL, LEFT SIDE |
| 0017 | 721936 01 | PANEL, RIGHT SIDE |
| 0018 | 702441 00 | REAR PANEL |
| 0019 | 702396 00 | REAR BOTTOM PANEL |
| 0020 | 660827 00 | EVAPORATOR COVER |
| 0021 | 721933 00 | TOP PANEL |
| 0022 | 650904 00 | INSULATION |
| 0022 | 660828 00 | PLASTIC COVER |
| 0023 | 650806 00 | THUMB SCREW |
| 0024 | 721938 00 | S.S. FRONT LINER |
| 0025 | 660837 01 | CORNER PROTECTION LEFT |
| 0026 | 660837 00 | CORNER PROTECTION RIGHT |
| 0027 | 702381 00 | METAL STRIP |
| 0028 | 721934 00 | FRONT PANEL - AIR |
| 0028 | 721934 01 | FRONT PANEL - WATER |
| 0029 | 650850 00 | SCOTSMAN LOGO |
| 0030 | 660829 00 | FRONT SWITCH PLASTIC PROTECTION |
| 0031 | 660804 01 | AIR FILTER SEAT |
| 0032 | 660817 00 | SLIDE, AIR FILTER |
| 0033 | 660805 01 | AIR FILTER |
| 0034 | 732017 00 | BULB HOLDER |
| 0035 | 660786 00 | BIN DOOR |
| 0036 | 660286 00 | BUSHING |
| 0037 | 660831 00 | RUBBER BRACKET, SANITISING BAG |
| 0038 | 650909 00 | SANITISING BAG |
| 0039 | 650670 00 | LEG KIT |



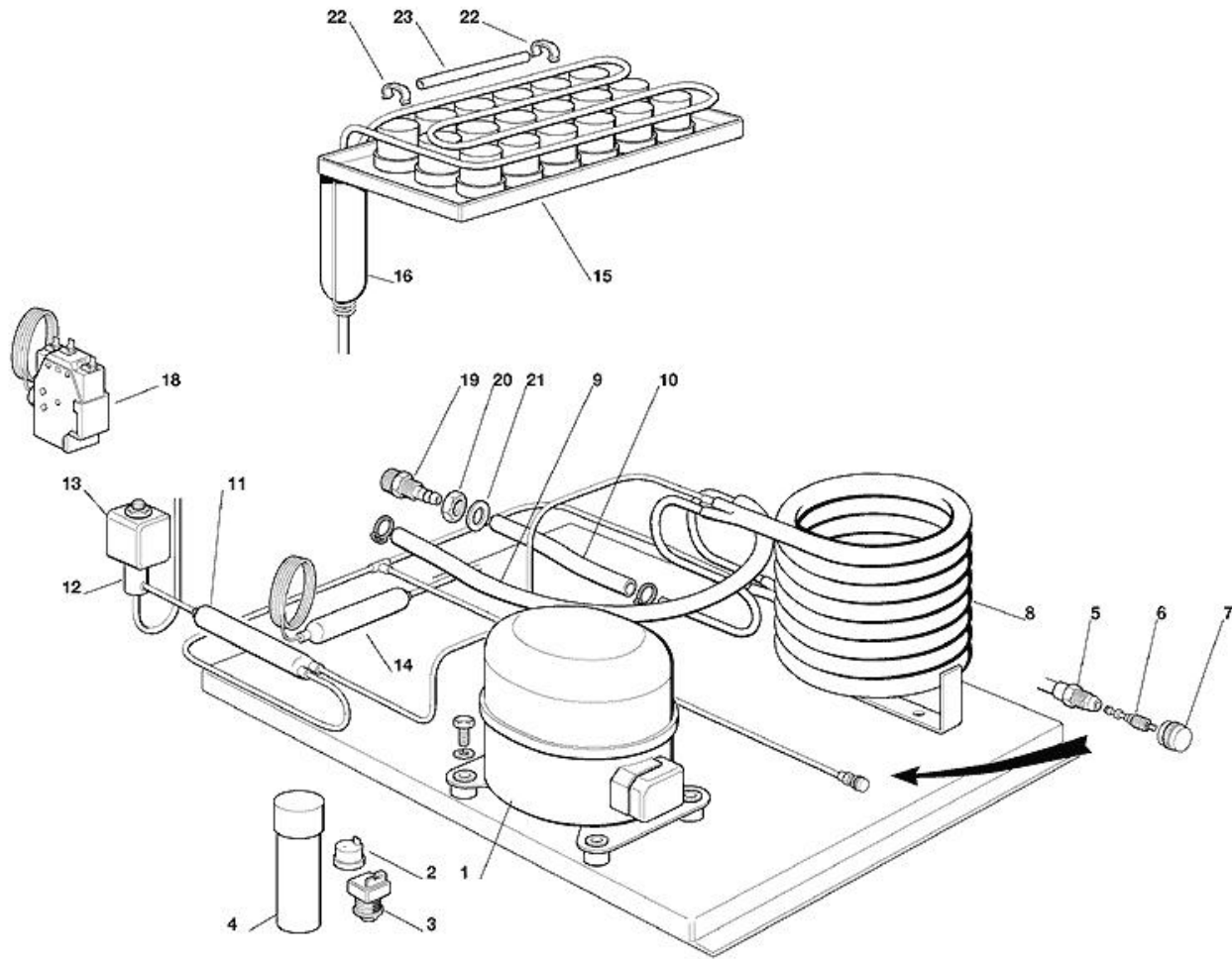
| Pos | Code | Description |
|------|-------------|--|
| 0001 | 670100 01 | COMPRESSOR - 230/50/1 - CUBIGEL GP 14 TB |
| 0001 | 670100 08 | COMPRESSOR CUBIGEL - 230/60/1 |
| 0002 | EMB 2252347 | CAPACITOR - 230/50/1 |
| 0003 | CUB 102190 | PROTECTOR - 230/50/1 |
| 0003 | CUB 102200 | PROTECTOR - 230/60/1 |
| 0004 | CUB 405177 | RELAY - 230/50/1 |
| 0004 | CUB 405178 | RELAY - 230/60/1 |
| 0005 | 650109 00 | VALVE BODY |
| 0006 | 670012 00 | VALVE CORE |
| 0007 | 650106 00 | CAP |
| 0008 | 620419 02 | FAN MOTOR - 230/50-60 |
| 0008 | 620419 03 | FAN MOTOR - 115/60 |
| 0008 | 620419 33 | BLADE |
| 0008 | 620419 63 | BRACKET |
| 0009 | 620455 00 | CONDENSER |
| 0011 | 630003 05 | DRIER |
| 0012 | 630137 01 | MECHANICAL FILTER |
| 0013 | 620306 27 | HOT GAS VALVE BODY |
| 0013 | 620306 48 | COIL - 230/50-60 |
| 0014 | 784615 01 | EVAPORATOR ASSY |
| 0014 | 784622 00 | EVAPORATOR ASSY - LARGE CUBES |
| 0014 | 784645 00 | EVAPORATOR ASSY - SMALL CUBES |
| 0015 | 784632 02 | SUCTION LINE ASSY |
| 0022 | 650475 02 | METAL CLIP |
| 0022 | 660386 00 | PLASTIC CLIP |
| 0023 | 741114 00R | PLASTIC BULB HOLDER |



| Pos | Code | Description |
|------|------------|---|
| 0001 | 670100 08 | COMPRESSOR CUBIGEL - 230/60/1 |
| 0001 | 670101 00 | COMPRESSOR - 230/50/1 - TECUMSEH CAE 4448 Y |
| 0002 | 620167 01 | START CAPACITOR 64-77 MFD/330V |
| 0003 | 620058 71 | PROTECTOR - 230/50 - TECUMSEH CAE 4448 Y |
| 0003 | CUB 102200 | PROTECTOR - 230/60/1 |
| 0004 | 620057 42 | RELAY - 230/50-60/1 - TECUMSEH CAE 4448 Y |
| 0004 | CUB 405178 | RELAY - 230/60/1 |
| 0005 | 650109 00 | VALVE BODY |
| 0006 | 670012 00 | VALVE CORE |
| 0007 | 650106 00 | CAP |
| 0008 | 620419 02 | FAN MOTOR - 230/50-60 |
| 0008 | 620419 03 | FAN MOTOR - 115/60 |
| 0008 | 620419 33 | BLADE |
| 0008 | 620419 63 | BRACKET |
| 0009 | 620455 00 | CONDENSER |
| 0011 | 630003 05 | DRIER |
| 0012 | 630137 01 | MECHANICAL FILTER |
| 0013 | 620306 27 | HOT GAS VALVE BODY |
| 0013 | 620306 48 | COIL - 230/50-60 |
| 0014 | 784615 01 | EVAPORATOR ASSY |
| 0014 | 784622 00 | EVAPORATOR ASSY - LARGE CUBES |
| 0014 | 784645 00 | EVAPORATOR ASSY - SMALL CUBES |
| 0015 | 784632 02 | SUCTION LINE ASSY |
| 0022 | 650475 02 | METAL CLIP |
| 0022 | 660386 00 | PLASTIC CLIP |
| 0023 | 741114 00R | PLASTIC BULB HOLDER |

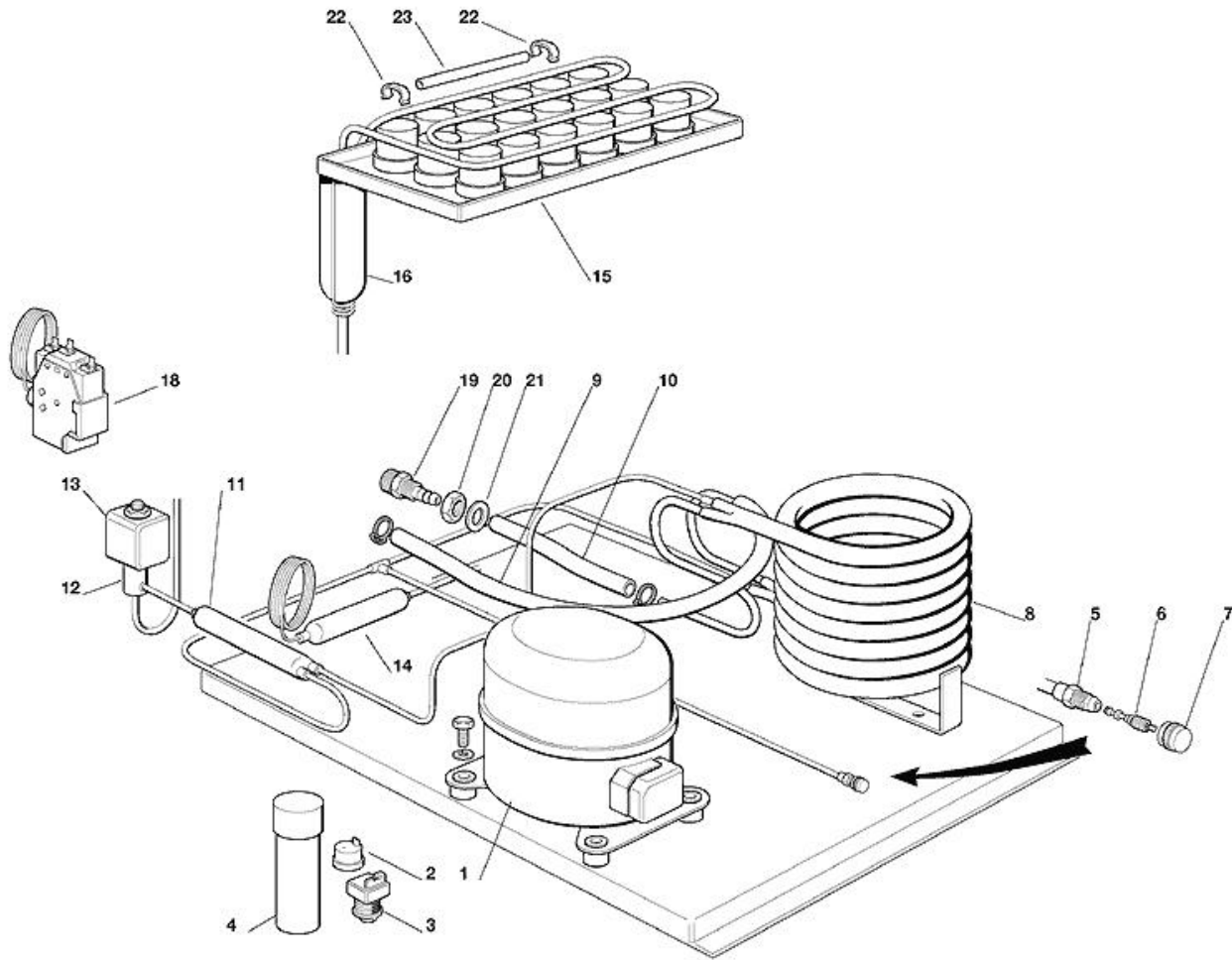


| Pos | Code | Description |
|------|------------|--------------------------------|
| 0001 | 670100 08 | COMPRESSOR CUBIGEL - 230/60/1 |
| 0001 | 670106 06 | COMPRESSOR - 230/50/1 |
| 0002 | 620167 00 | START CAPACITOR 88-108MFD/330V |
| 0003 | 620478 19 | PROTECTOR - 230/50/1 |
| 0003 | CUB 102200 | PROTECTOR - 230/60/1 |
| 0004 | 620057 79 | RELAY - 230/50/1 |
| 0004 | CUB 405178 | RELAY - 230/60/1 |
| 0005 | 650109 00 | VALVE BODY |
| 0006 | 670012 00 | VALVE CORE |
| 0007 | 650106 00 | CAP |
| 0008 | 620419 02 | FAN MOTOR - 230/50-60 |
| 0008 | 620419 03 | FAN MOTOR - 115/60 |
| 0008 | 620419 33 | BLADE |
| 0008 | 620419 63 | BRACKET |
| 0009 | 620455 00 | CONDENSER |
| 0011 | 630003 05 | DRIER |
| 0012 | 630137 01 | MECHANICAL FILTER |
| 0013 | 620306 27 | HOT GAS VALVE BODY |
| 0013 | 620306 48 | COIL - 230/50-60 |
| 0014 | 784615 01 | EVAPORATOR ASSY |
| 0014 | 784622 00 | EVAPORATOR ASSY - LARGE CUBES |
| 0014 | 784645 00 | EVAPORATOR ASSY - SMALL CUBES |
| 0015 | 784632 02 | SUCTION LINE ASSY |
| 0022 | 650475 02 | METAL CLIP |
| 0022 | 660386 00 | PLASTIC CLIP |
| 0023 | 741114 00R | PLASTIC BULB HOLDER |

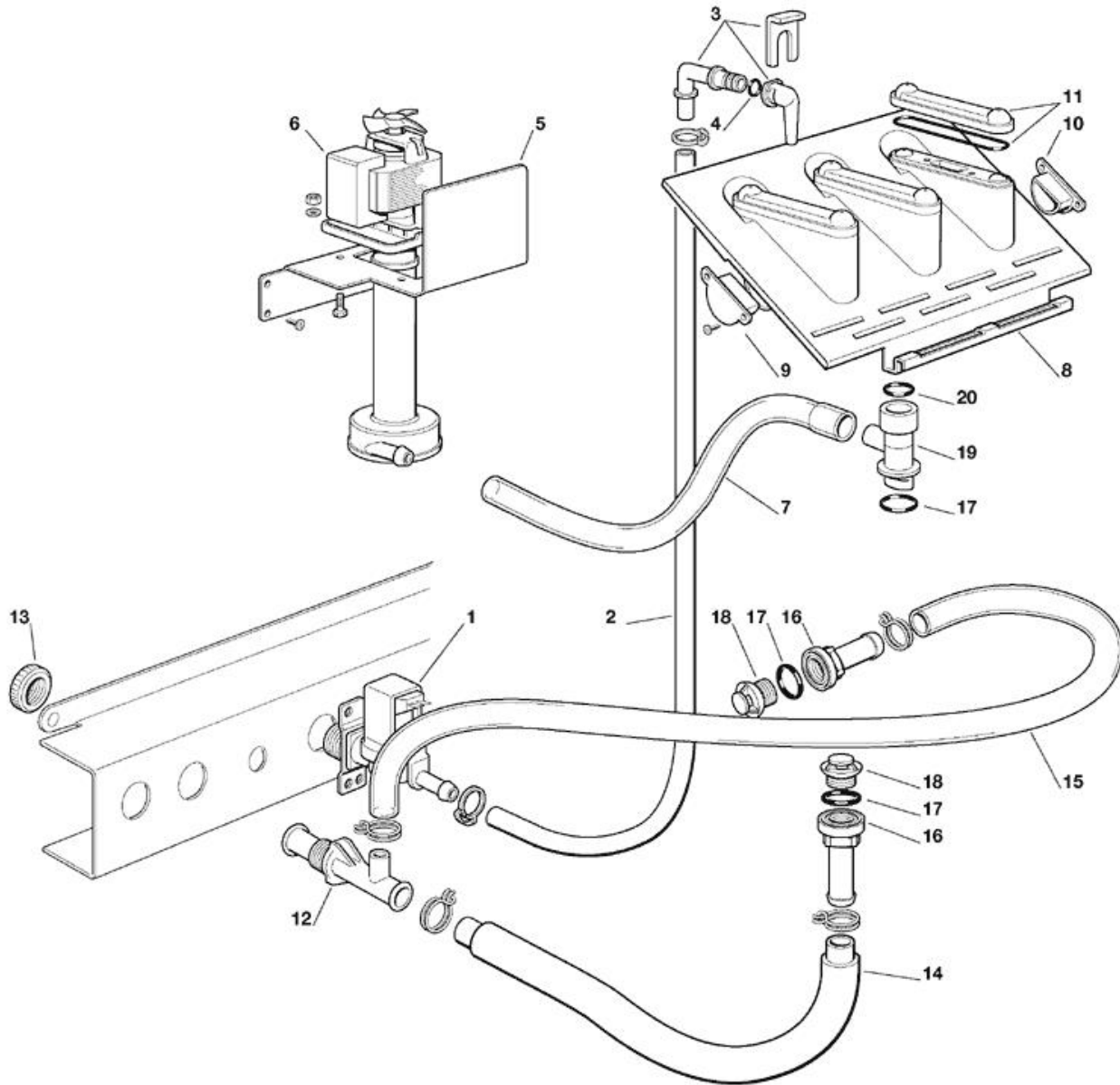


| Pos | Code | Description |
|------|-------------|--|
| 0001 | 670100 01 | COMPRESSOR - 230/50/1 - CUBIGEL GP 14 TB |
| 0001 | 670100 08 | COMPRESSOR CUBIGEL - 230/60/1 |
| 0002 | CUB 102190 | PROTECTOR - 230/50/1 |
| 0002 | CUB 102200 | PROTECTOR - 230/60/1 |
| 0003 | CUB 405177 | RELAY - 230/50/1 |
| 0003 | CUB 405178 | RELAY - 230/60/1 |
| 0004 | EMB 2252347 | CAPACITOR - 230/50/1 |
| 0005 | 650109 00 | VALVE BODY |
| 0006 | 670012 00 | VALVE CORE |
| 0007 | 650106 00 | CAP |
| 0008 | 620389 00 | CONDENSER |
| 0009 | 281900 01 | TUBE 16X10 |
| 0010 | 281900 01 | TUBE 16X10 |
| 0011 | 630137 01 | MECHANICAL FILTER |
| 0012 | 620306 27 | HOT GAS VALVE BODY |
| 0013 | 620306 48 | COIL - 230/50-60 |
| 0014 | 630003 05 | DRIER |
| 0015 | 784615 01 | EVAPORATOR ASSY |
| 0015 | 784622 00 | EVAPORATOR ASSY - LARGE CUBES |
| 0015 | 784645 00 | EVAPORATOR ASSY - SMALL CUBES |
| 0016 | 784632 02 | SUCTION LINE ASSY |
| 0018 | 620075 00 | PRESSOSTAT |
| 0019 | 660291 00 | TEE TUBE (D13) |
| 0020 | 400030 01 | NUT |
| 0021 | 400031 00 | WASHER |
| 0022 | 650475 02 | METAL CLIP |
| 0022 | 660386 00 | PLASTIC CLIP |
| 0023 | 741114 00R | PLASTIC BULB HOLDER |

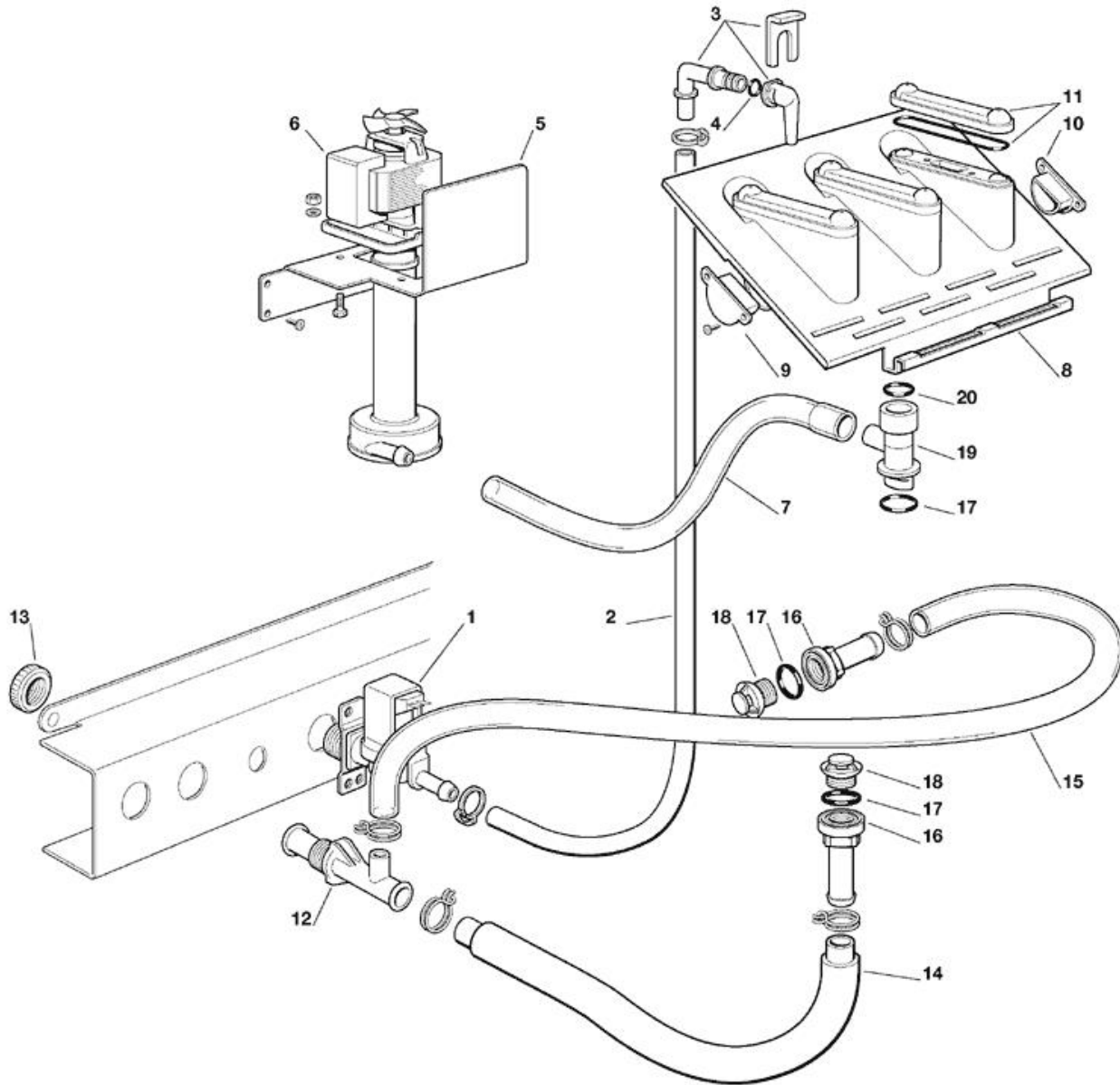
| Pos | Code | Description |
|------|------------|---|
| 0001 | 670100 08 | COMPRESSOR CUBIGEL - 230/60/1 |
| 0001 | 670101 00 | COMPRESSOR - 230/50/1 - TECUMSEH CAE 4448 Y |
| 0002 | 620058 71 | PROTECTOR - 230/50 - TECUMSEH CAE 4448 Y |
| 0002 | CUB 102200 | PROTECTOR - 230/60/1 |
| 0003 | 620057 42 | RELAY - 230/50-60/1 - TECUMSEH CAE 4448 Y |
| 0003 | CUB 405178 | RELAY - 230/60/1 |
| 0004 | 620167 01 | START CAPACITOR 64-77 MFD/330V |
| 0005 | 650109 00 | VALVE BODY |
| 0006 | 670012 00 | VALVE CORE |
| 0007 | 650106 00 | CAP |
| 0008 | 620389 00 | CONDENSER |
| 0009 | 281900 01 | TUBE 16X10 |
| 0010 | 281900 01 | TUBE 16X10 |
| 0011 | 630137 01 | MECHANICAL FILTER |
| 0012 | 620306 27 | HOT GAS VALVE BODY |
| 0013 | 620306 48 | COIL - 230/50-60 |
| 0014 | 630003 05 | DRIER |
| 0015 | 784615 01 | EVAPORATOR ASSY |
| 0015 | 784622 00 | EVAPORATOR ASSY - LARGE CUBES |
| 0015 | 784645 00 | EVAPORATOR ASSY - SMALL CUBES |
| 0016 | 784632 02 | SUCTION LINE ASSY |
| 0018 | 620075 00 | PRESSOSTAT |
| 0019 | 660291 00 | TEE TUBE (D13) |
| 0020 | 400030 01 | NUT |
| 0021 | 400031 00 | WASHER |
| 0022 | 650475 02 | METAL CLIP |
| 0022 | 660386 00 | PLASTIC CLIP |
| 0023 | 741114 00R | PLASTIC BULB HOLDER |



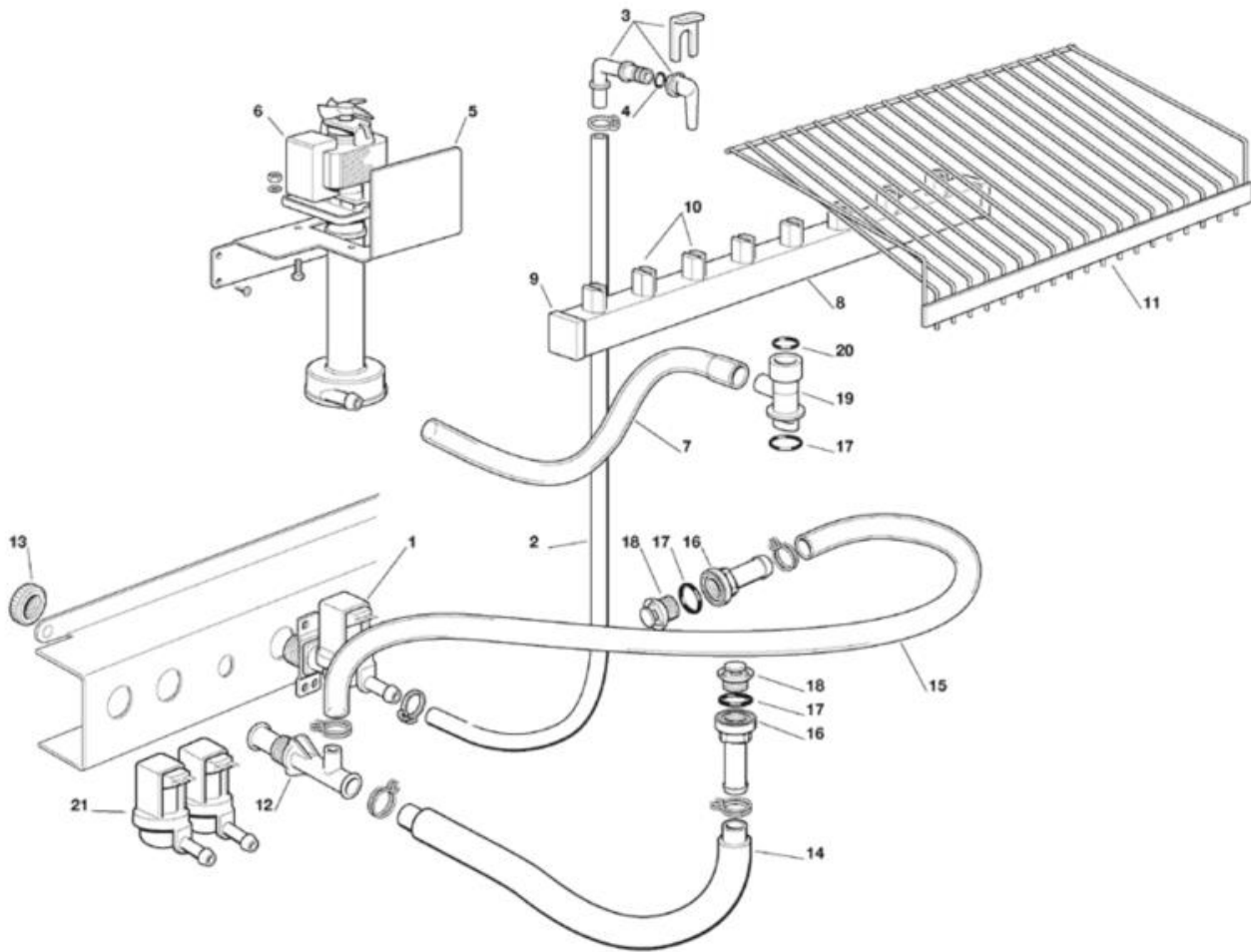
| Pos | Code | Description |
|------|------------|--------------------------------|
| 0001 | 670100 08 | COMPRESSOR CUBIGEL - 230/60/1 |
| 0001 | 670106 06 | COMPRESSOR - 230/50/1 |
| 0002 | 620478 19 | PROTECTOR - 230/50/1 |
| 0002 | CUB 102200 | PROTECTOR - 230/60/1 |
| 0003 | 620057 79 | RELAY - 230/50/1 |
| 0003 | CUB 405178 | RELAY - 230/60/1 |
| 0004 | 620167 00 | START CAPACITOR 88-108MFD/330V |
| 0005 | 650109 00 | VALVE BODY |
| 0006 | 670012 00 | VALVE CORE |
| 0007 | 650106 00 | CAP |
| 0008 | 620389 00 | CONDENSER |
| 0009 | 281900 01 | TUBE 16X10 |
| 0010 | 281900 01 | TUBE 16X10 |
| 0011 | 630137 01 | MECHANICAL FILTER |
| 0012 | 620306 27 | HOT GAS VALVE BODY |
| 0013 | 620306 48 | COIL - 230/50-60 |
| 0014 | 630003 05 | DRIER |
| 0015 | 784615 01 | EVAPORATOR ASSY |
| 0015 | 784622 00 | EVAPORATOR ASSY - LARGE CUBES |
| 0015 | 784645 00 | EVAPORATOR ASSY - SMALL CUBES |
| 0016 | 784632 02 | SUCTION LINE ASSY |
| 0018 | 620075 00 | PRESSOSTAT |
| 0019 | 660291 00 | TEE TUBE (D13) |
| 0020 | 400030 01 | NUT |
| 0021 | 400031 00 | WASHER |
| 0022 | 650475 02 | METAL CLIP |
| 0022 | 660386 00 | PLASTIC CLIP |
| 0023 | 741114 00R | PLASTIC BULB HOLDER |



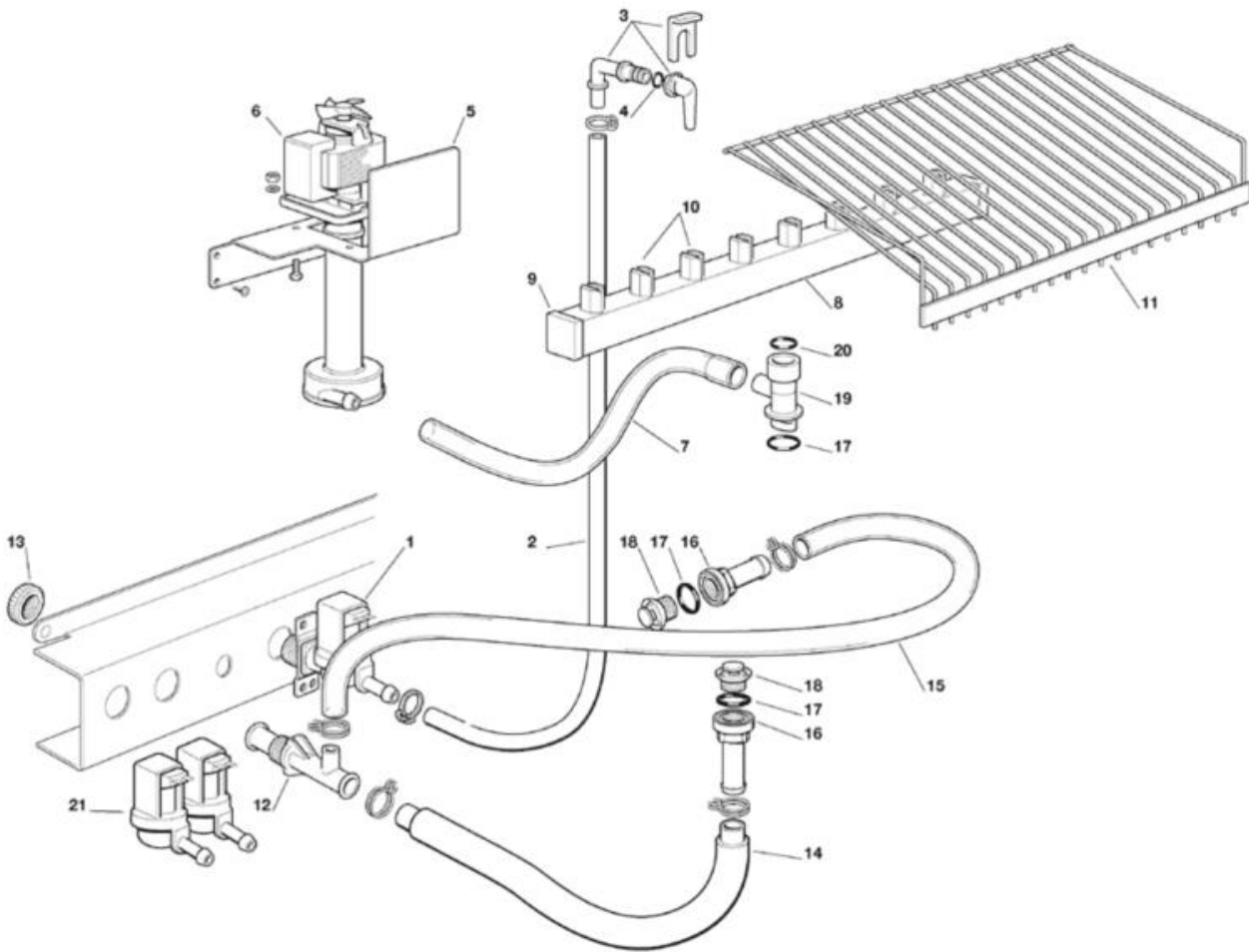
| Pos | Code | Description |
|------|------------|---------------------------------------|
| 0001 | 650105 66 | WATER INLET VALVE ASSY - 230V - AIR |
| 0001 | 650105 70 | WATER INLET VALVE ASSY - 230V - WATER |
| 0002 | 281900 01 | TUBE 16X10 |
| 0003 | 793172 00R | WATER INLET ELBOW ASSY |
| 0004 | 640041 31 | O RING |
| 0005 | 721937 00 | METAL BRACKET |
| 0006 | 620423 00 | WATER PUMP - 230/50/1 |
| 0006 | 620433 01 | WATER PUMP 230/60 |
| 0007 | 610150 03 | TUBE |
| 0008 | 793129 10 | SPRAY SYSTEM ASSY |
| 0009 | 660520 07 | PLASTIC PLUG |
| 0010 | 660520 06 | PLATIC PLUG |
| 0011 | 060529 01 | SPRAY COVER KIT |
| 0012 | 660224 00 | TEE TUBE |
| 0013 | 660535 00 | PLASTIC NUT |
| 0014 | 610148 10 | TUBE |
| 0015 | 610204 00 | TUBE |
| 0016 | 660219 02 | BIN DRAIN |
| 0017 | 640134 00 | O RING 4093 |
| 0018 | 660211 01 | DRAIN FILTER |
| 0019 | 660777 00 | SPRAY SYSTEM SEAT |
| 0020 | 640041 32 | O RING |



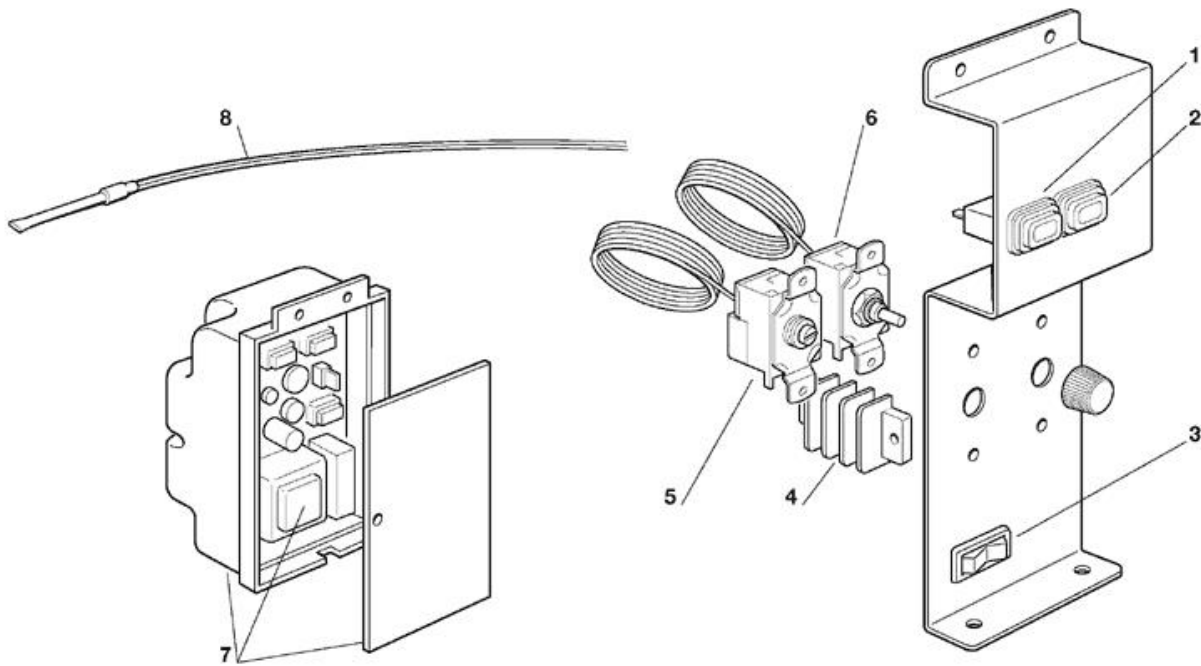
| Pos | Code | Description |
|------|------------|---------------------------------------|
| 0001 | 650105 66 | WATER INLET VALVE ASSY - 230V - AIR |
| 0001 | 650105 74 | WATER INLET VALVE ASSY - 230V - WATER |
| 0002 | 281900 01 | TUBE 16X10 |
| 0003 | 793172 00R | WATER INLET ELBOW ASSY |
| 0004 | 640041 31 | O RING |
| 0005 | 721937 00 | METAL BRACKET |
| 0006 | 620423 00 | WATER PUMP - 230/50/1 |
| 0006 | 620433 01 | WATER PUMP 230/60 |
| 0007 | 610150 03 | TUBE |
| 0008 | 793129 10 | SPRAY SYSTEM ASSY |
| 0009 | 660520 07 | PLASTIC PLUG |
| 0010 | 660520 06 | PLATIC PLUG |
| 0011 | 060529 01 | SPRAY COVER KIT |
| 0012 | 660224 00 | TEE TUBE |
| 0013 | 660535 00 | PLASTIC NUT |
| 0014 | 610148 10 | TUBE |
| 0015 | 610204 00 | TUBE |
| 0016 | 660219 02 | BIN DRAIN |
| 0017 | 640134 00 | O RING 4093 |
| 0018 | 660211 01 | DRAIN FILTER |
| 0019 | 660777 00 | SPRAY SYSTEM SEAT |
| 0020 | 640041 32 | O RING |



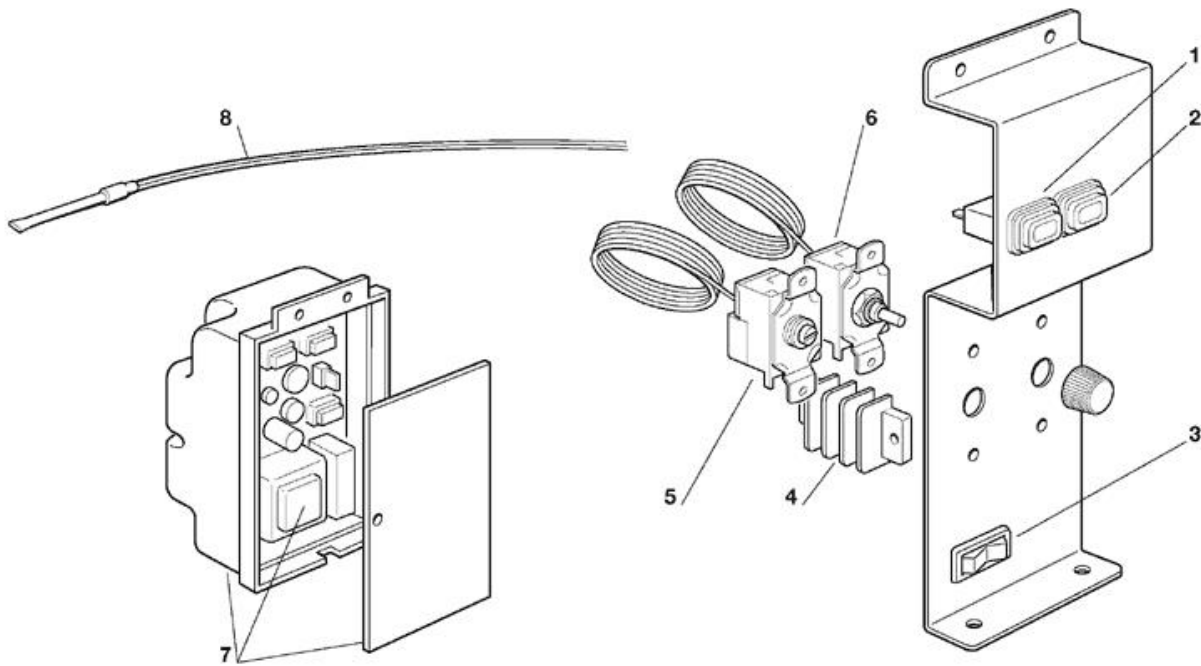
| Pos | Code | Description |
|------|------------|---------------------------------------|
| 0001 | 650105 66 | WATER INLET VALVE ASSY - 230V - AIR |
| 0002 | 281900 01 | TUBE 16X10 |
| 0003 | 793172 00R | WATER INLET ELBOW ASSY |
| 0004 | 640041 31 | O RING |
| 0005 | 721937 00 | METAL BRACKET |
| 0006 | 620423 00 | WATER PUMP - 230/50/1 |
| 0006 | 620433 01 | WATER PUMP 230/60 |
| 0007 | 610150 03 | TUBE |
| 0008 | 650665 32 | SPRAY BAR - LARGE CUBES |
| 0008 | 650951 01 | SPRAY BAR - SMALL CUBES |
| 0009 | 660557 00 | SPRAY CUP |
| 0010 | 660558 00 | SPRAY NOZZLE |
| 0011 | 650859 00 | CUBE DEFLECTOR - LARGE CUBES |
| 0011 | 650937 00 | CUBE DEFLECTOR - SMALL CUBES |
| 0012 | 660224 00 | TEE TUBE |
| 0013 | 660535 00 | PLASTIC NUT |
| 0014 | 610148 10 | TUBE |
| 0015 | 610204 00 | TUBE |
| 0016 | 660219 02 | BIN DRAIN |
| 0017 | 640134 00 | O RING 4093 |
| 0018 | 660211 01 | DRAIN FILTER |
| 0019 | 660777 01 | SPRAY SYSTEM SEAT |
| 0020 | 640041 32 | O RING |
| 0021 | 650105 70 | WATER INLET VALVE ASSY - 230V - WATER |



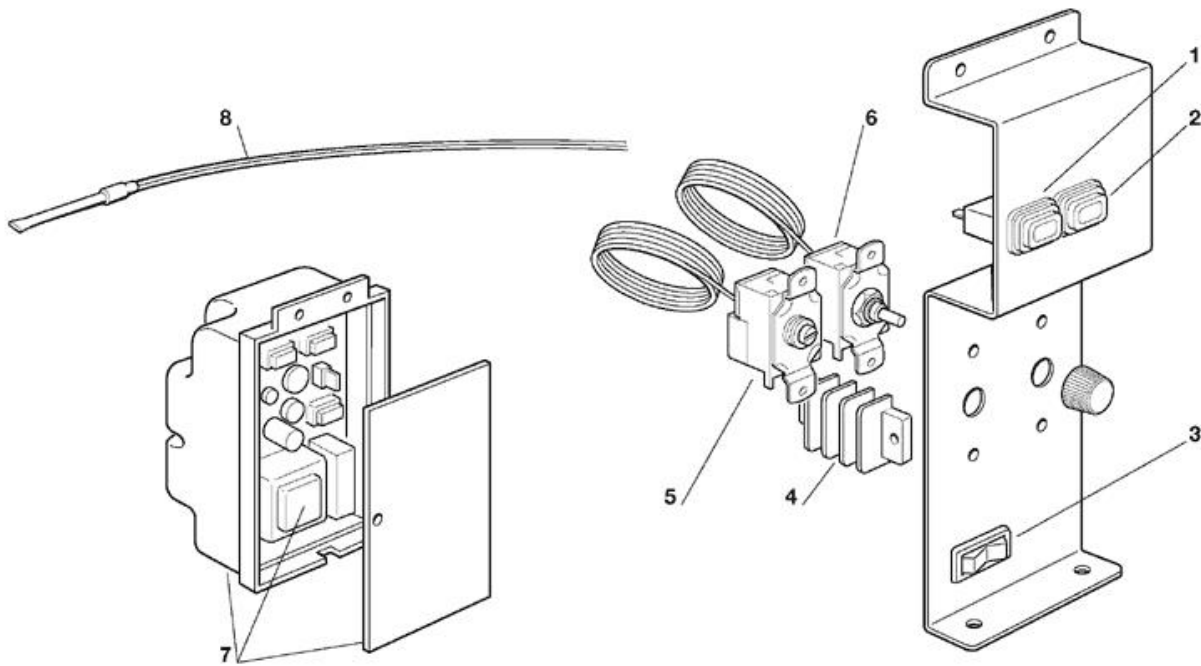
| Pos | Code | Description |
|------|------------|---------------------------------------|
| 0001 | 650105 66 | WATER INLET VALVE ASSY - 230V - AIR |
| 0002 | 281900 01 | TUBE 16X10 |
| 0003 | 793172 00R | WATER INLET ELBOW ASSY |
| 0004 | 640041 31 | O RING |
| 0005 | 721937 00 | METAL BRACKET |
| 0006 | 620423 00 | WATER PUMP - 230/50/1 |
| 0006 | 620433 01 | WATER PUMP 230/60 |
| 0007 | 610150 03 | TUBE |
| 0008 | 650665 32 | SPRAY BAR - LARGE CUBES |
| 0008 | 650951 01 | SPRAY BAR - SMALL CUBES |
| 0009 | 660557 00 | SPRAY CUP |
| 0010 | 660558 00 | SPRAY NOZZLE |
| 0011 | 650859 00 | CUBE DEFLECTOR - LARGE CUBES |
| 0011 | 650937 00 | CUBE DEFLECTOR - SMALL CUBES |
| 0012 | 660224 00 | TEE TUBE |
| 0013 | 660535 00 | PLASTIC NUT |
| 0014 | 610148 10 | TUBE |
| 0015 | 610204 00 | TUBE |
| 0016 | 660219 02 | BIN DRAIN |
| 0017 | 640134 00 | O RING 4093 |
| 0018 | 660211 01 | DRAIN FILTER |
| 0019 | 660777 01 | SPRAY SYSTEM SEAT |
| 0020 | 640041 32 | O RING |
| 0021 | 650105 74 | WATER INLET VALVE ASSY - 230V - WATER |



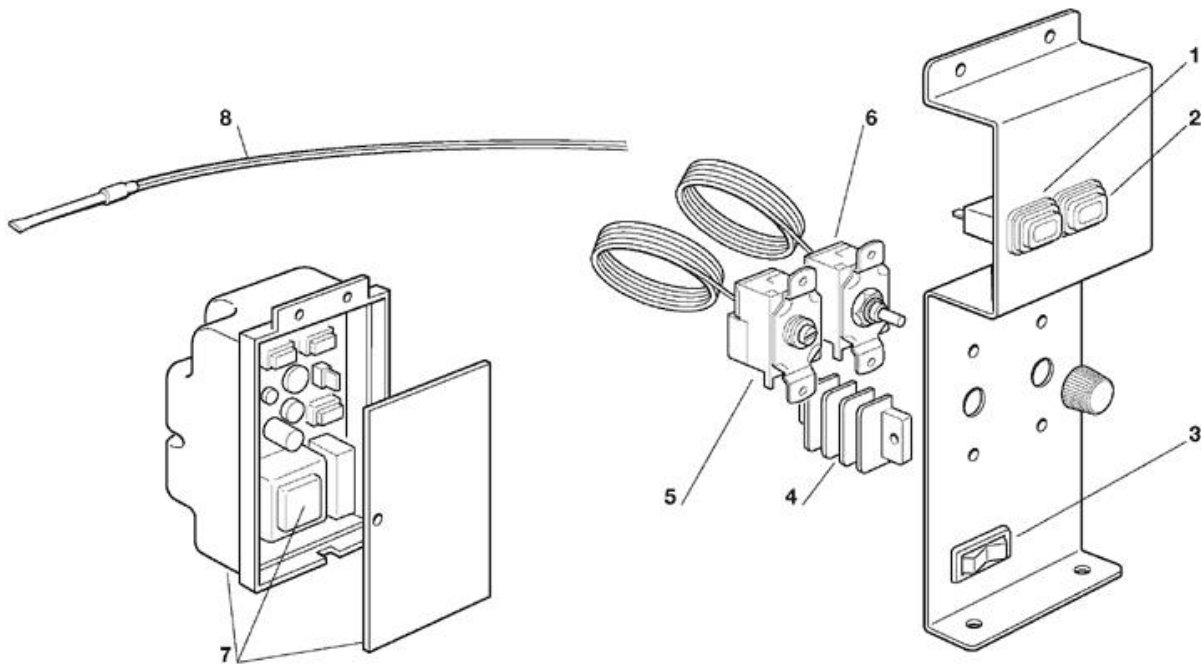
| Pos | Code | Description |
|------|-----------|--|
| 0001 | 060666 00 | SWITCHES ASSY |
| 0002 | 060666 00 | SWITCHES ASSY |
| 0003 | 620442 01 | SWITCH |
| 0004 | 630114 01 | TERMINAL BOARD |
| 0005 | 630005 00 | BIN THERMOSTAT |
| 0006 | 620264 11 | EVAP. THERMOSTAT |
| 0007 | 060711 30 | PC BOARD ASSY - CLEANING REMIND - 230V |
| 0007 | 620489 01 | 3 WIRES CABLE |
| 0008 | 620404 11 | CONDENSER SENSOR |



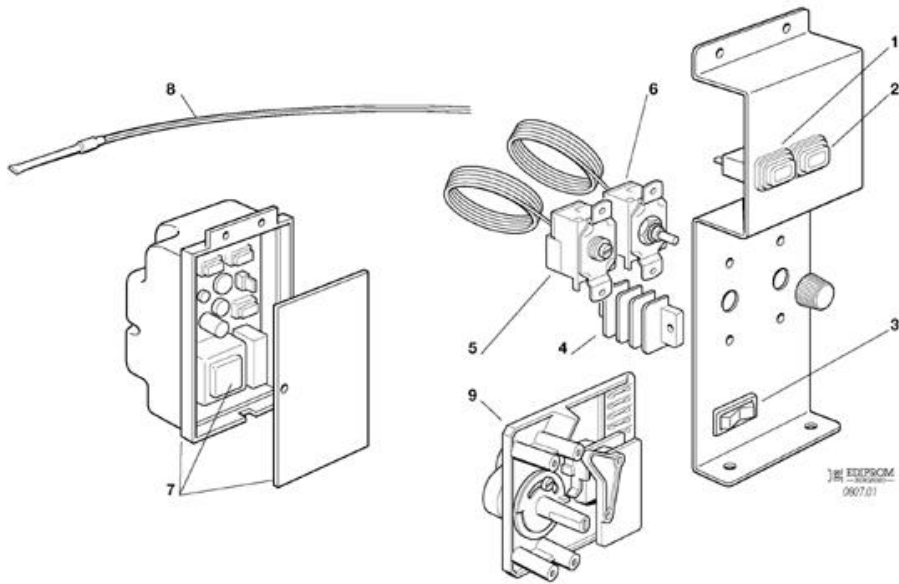
| Pos | Code | Description |
|------|-----------|--|
| 0001 | 620487 03 | PUSH BUTTON SWITCH |
| 0001 | 620487 04 | PLASTIC PROTECTION |
| 0001 | 620504 00 | WARNING LIGHT |
| 0002 | 620487 02 | LIGHTED SWITCH |
| 0002 | 620487 04 | PLASTIC PROTECTION |
| 0003 | 620442 01 | SWITCH |
| 0004 | 630114 01 | TERMINAL BOARD |
| 0005 | 630005 00 | BIN THERMOSTAT |
| 0006 | 620264 11 | EVAP. THERMOSTAT |
| 0007 | 060711 30 | PC BOARD ASSY - CLEANING REMIND - 230V |
| 0007 | 620489 01 | 3 WIRES CABLE |
| 0008 | 620404 11 | CONDENSER SENSOR |



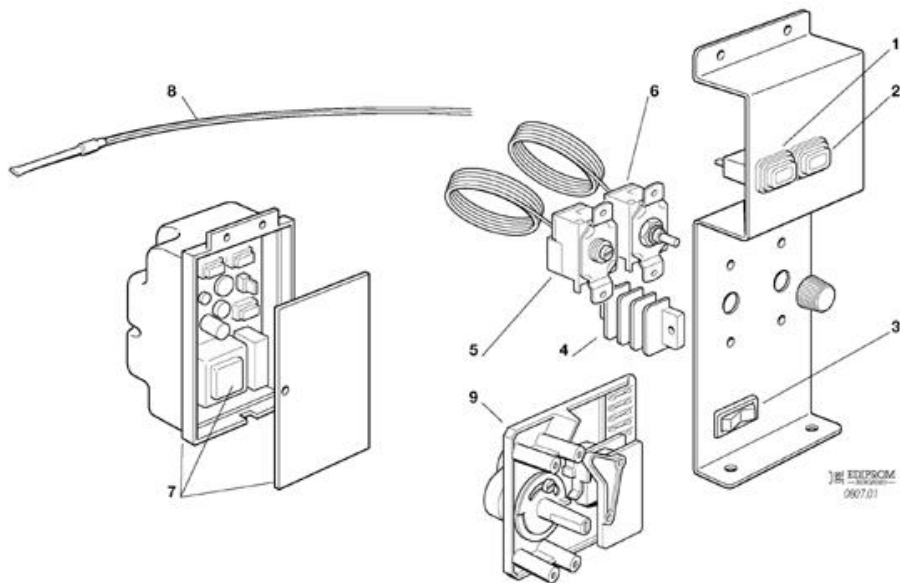
| Pos | Code | Description |
|------|-----------|--|
| 0001 | 620487 01 | WARNING LIGHT - RESET BUTTON |
| 0002 | 620487 00 | MASTER LIGHTED SWITCH |
| 0003 | 620442 01 | SWITCH |
| 0004 | 630114 01 | TERMINAL BOARD |
| 0005 | 630005 00 | BIN THERMOSTAT |
| 0006 | 620264 11 | EVAP. THERMOSTAT |
| 0007 | 060711 30 | PC BOARD ASSY - CLEANING REMIND - 230V |
| 0007 | 620489 01 | 3 WIRES CABLE |
| 0008 | 620404 11 | CONDENSER SENSOR |



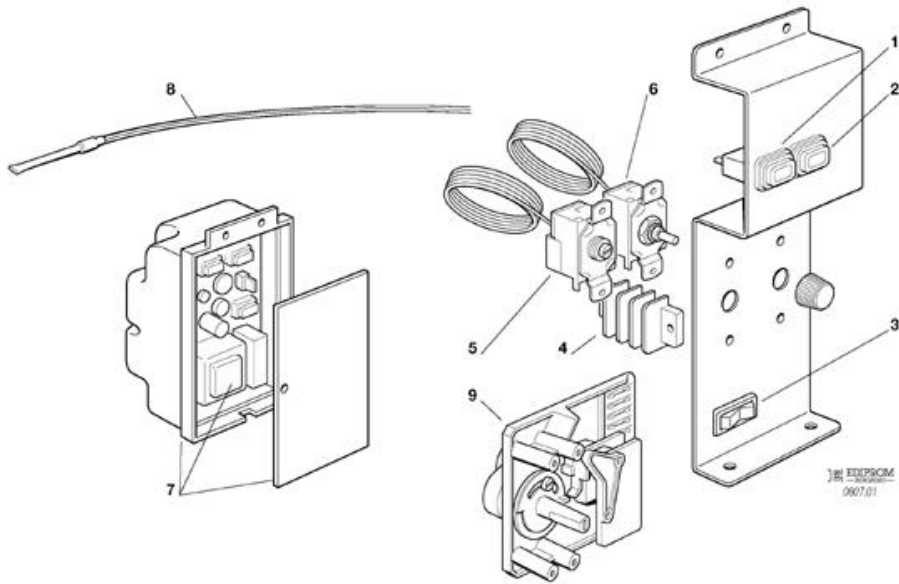
| Pos | Code | Description |
|------|-----------|------------------------------|
| 0001 | 620487 01 | WARNING LIGHT - RESET BUTTON |
| 0002 | 620487 00 | MASTER LIGHTED SWITCH |
| 0003 | 620442 01 | SWITCH |
| 0004 | 630114 01 | TERMINAL BOARD |
| 0005 | 630005 00 | BIN THERMOSTAT |
| 0006 | 620264 11 | EVAP. THERMOSTAT |
| 0007 | 620489 01 | 3 WIRES CABLE |
| 0007 | 620489 03 | CLEANING REMIND BOARD - 230V |
| 0008 | 620519 04 | CONDENSER SENSOR |



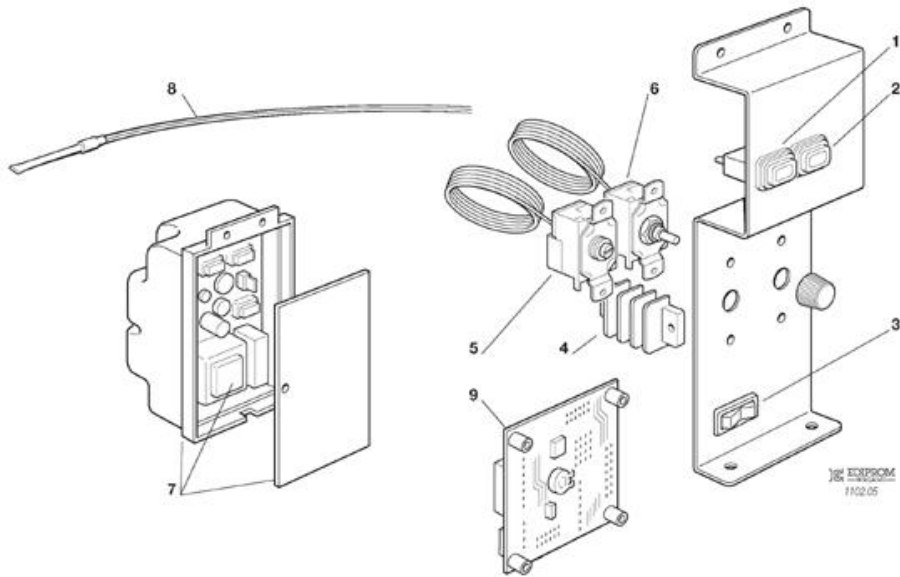
| Pos | Code | Description |
|------|-----------|--|
| 0001 | 060666 00 | SWITCHES ASSY |
| 0002 | 060666 00 | SWITCHES ASSY |
| 0003 | 620442 01 | SWITCH |
| 0004 | 630114 01 | TERMINAL BOARD |
| 0005 | 630005 00 | BIN THERMOSTAT |
| 0006 | 620201 01 | EVAPORATOR THERMOSTAT |
| 0007 | 060711 30 | PC BOARD ASSY - CLEANING REMIND - 230V |
| 0007 | 620489 01 | 3 WIRES CABLE |
| 0008 | 620404 11 | CONDENSER SENSOR |
| 0009 | 620441 00 | TIMER ASSY |



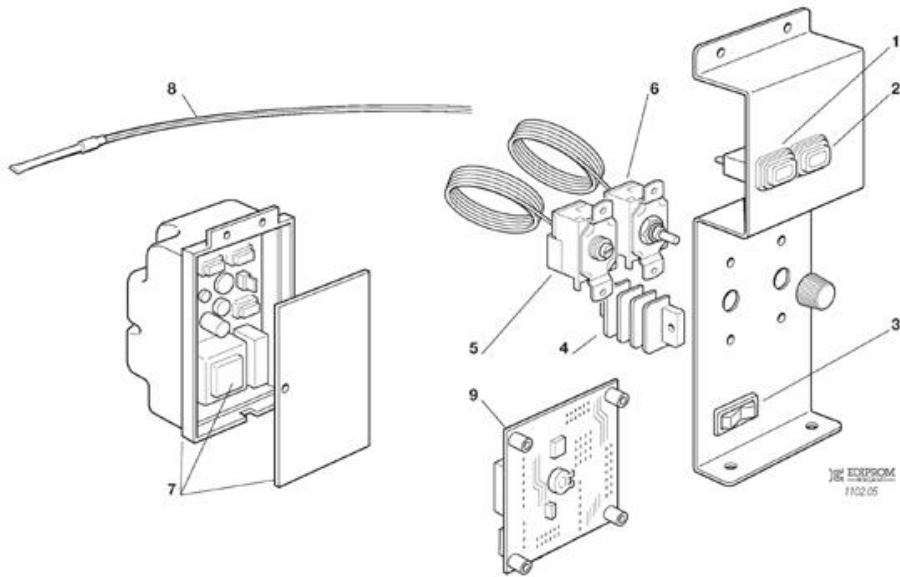
| Pos | Code | Description |
|------|-----------|--|
| 0001 | 620487 03 | PUSH BUTTON SWITCH |
| 0001 | 620487 04 | PLASTIC PROTECTION |
| 0001 | 620504 00 | WARNING LIGHT |
| 0002 | 620487 02 | LIGHTED SWITCH |
| 0002 | 620487 04 | PLASTIC PROTECTION |
| 0003 | 620442 01 | SWITCH |
| 0004 | 630114 01 | TERMINAL BOARD |
| 0005 | 630005 00 | BIN THERMOSTAT |
| 0006 | 620201 01 | EVAPORATOR THERMOSTAT |
| 0007 | 060711 30 | PC BOARD ASSY - CLEANING REMIND - 230V |
| 0007 | 620489 01 | 3 WIRES CABLE |
| 0008 | 620404 11 | CONDENSER SENSOR |
| 0009 | 620441 00 | TIMER ASSY |



| Pos | Code | Description |
|------|-----------|--|
| 0001 | 620487 01 | WARNING LIGHT - RESET BUTTON |
| 0002 | 620487 00 | MASTER LIGHTED SWITCH |
| 0003 | 620442 01 | SWITCH |
| 0004 | 630114 01 | TERMINAL BOARD |
| 0005 | 630005 00 | BIN THERMOSTAT |
| 0006 | 620201 01 | EVAPORATOR THERMOSTAT |
| 0007 | 060711 30 | PC BOARD ASSY - CLEANING REMIND - 230V |
| 0007 | 620489 01 | 3 WIRES CABLE |
| 0008 | 620404 11 | CONDENSER SENSOR |
| 0009 | 620441 00 | TIMER ASSY |



| Pos | Code | Description |
|------|-----------|--|
| 0001 | 620487 01 | WARNING LIGHT - RESET BUTTON |
| 0002 | 620487 00 | MASTER LIGHTED SWITCH |
| 0003 | 620442 01 | SWITCH |
| 0004 | 630114 01 | TERMINAL BOARD |
| 0005 | 630005 00 | BIN THERMOSTAT |
| 0006 | 620201 01 | EVAPORATOR THERMOSTAT |
| 0007 | 060711 30 | PC BOARD ASSY - CLEANING REMIND - 230V |
| 0007 | 620489 01 | 3 WIRES CABLE |
| 0008 | 620404 11 | CONDENSER SENSOR |
| 0009 | 620507 00 | ELECTRONIC TIMER |



| Pos | Code | Description |
|------|-----------|------------------------------|
| 0001 | 620487 01 | WARNING LIGHT - RESET BUTTON |
| 0002 | 620487 00 | MASTER LIGHTED SWITCH |
| 0003 | 620442 01 | SWITCH |
| 0004 | 630114 01 | TERMINAL BOARD |
| 0005 | 630005 00 | BIN THERMOSTAT |
| 0006 | 620201 01 | EVAPORATOR THERMOSTAT |
| 0007 | 620489 01 | 3 WIRES CABLE |
| 0007 | 620489 03 | CLEANING REMIND BOARD - 230V |
| 0008 | 620519 04 | CONDENSER SENSOR |
| 0009 | 620507 00 | ELECTRONIC TIMER |