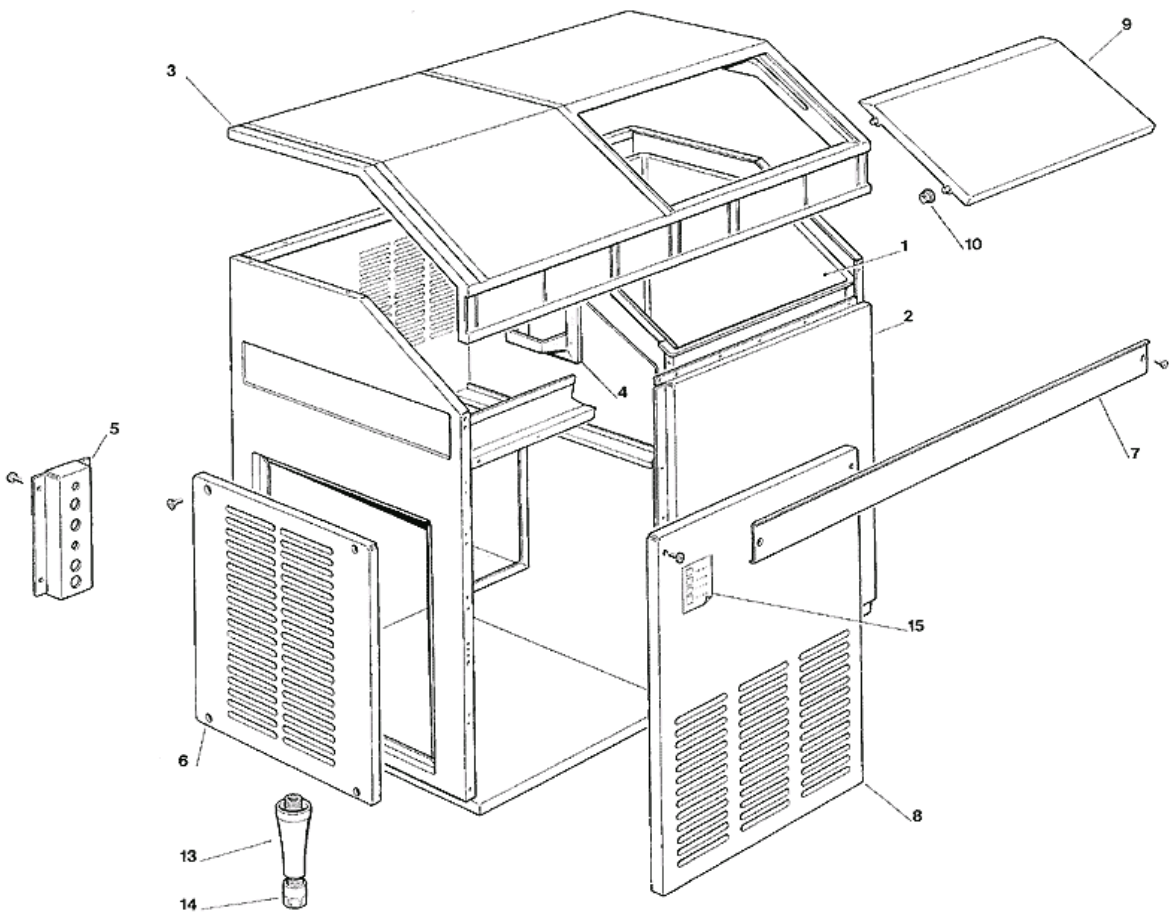
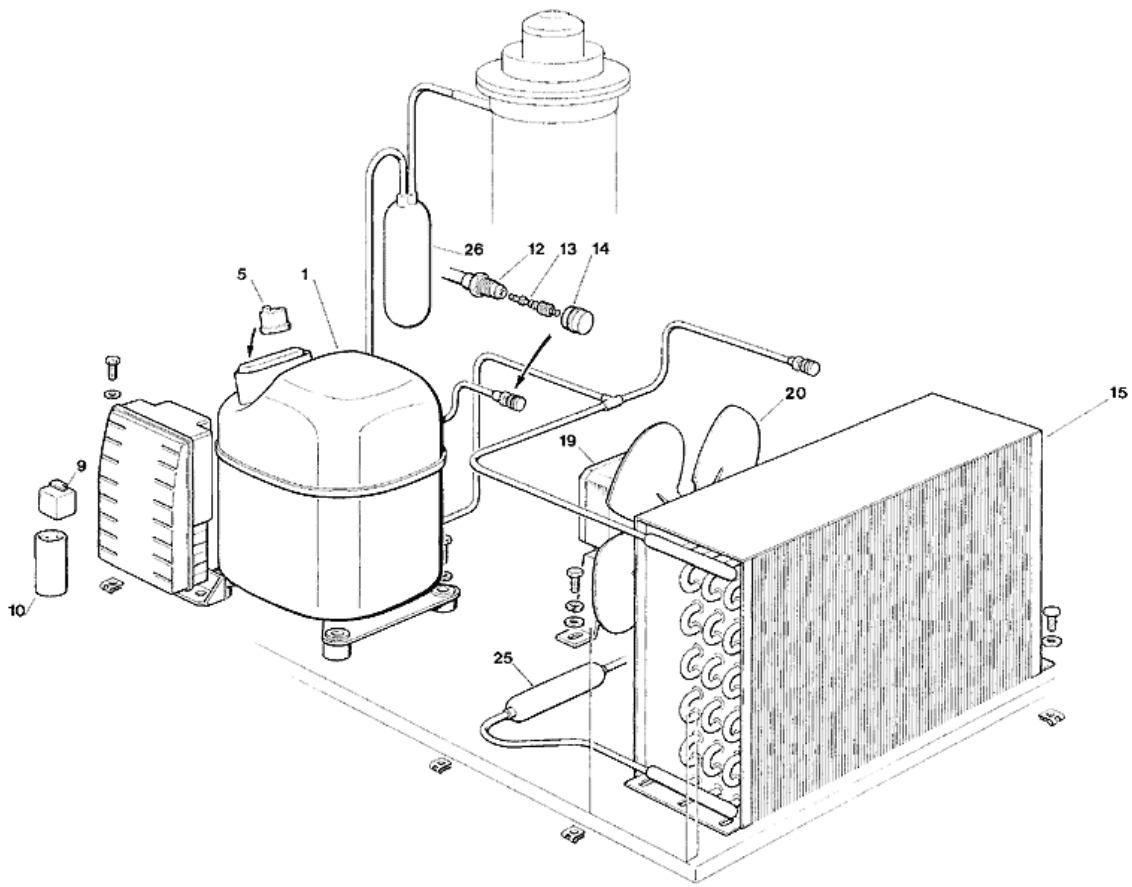


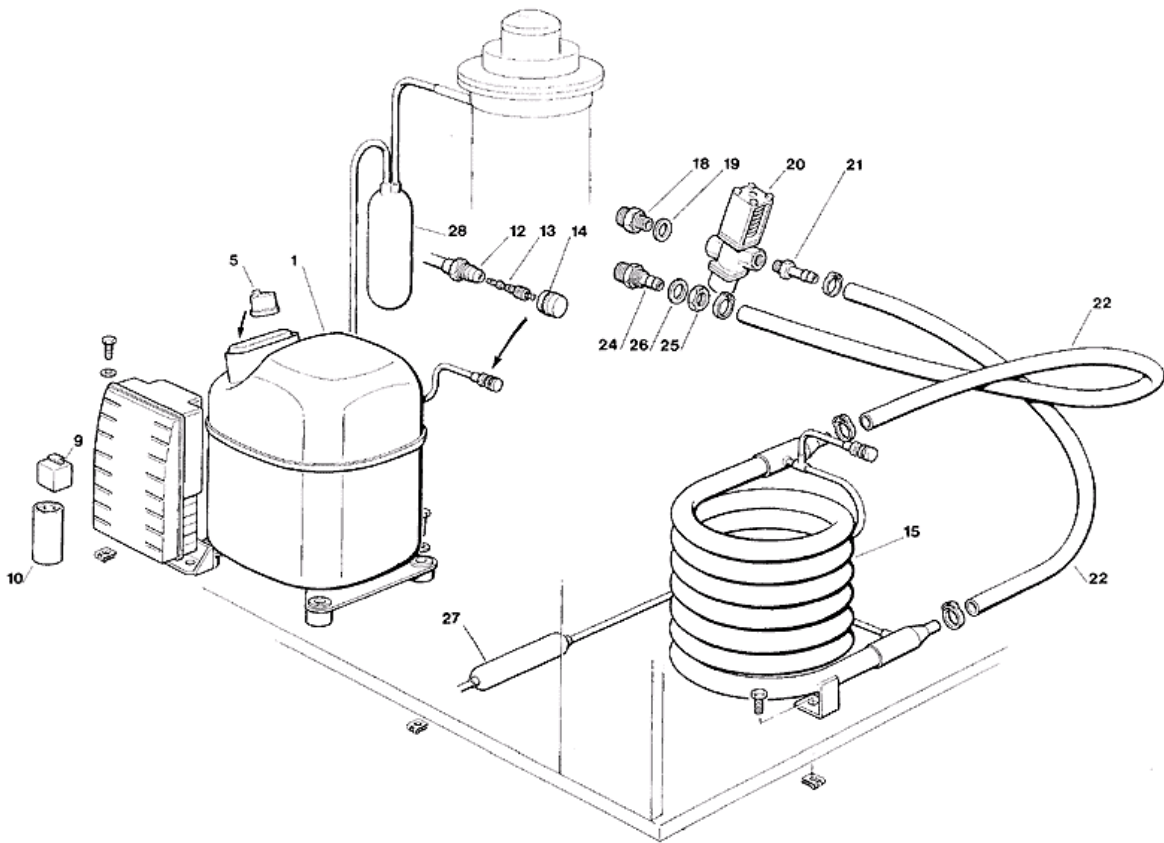
- 1 - UNIT PANELS
- 2 - REFRIGERANT SYSTEM AIR COOLED
- 3 - REFRIGERANT SYSTEM WATER COOLED
- 4 - WATER SYSTEM AND INSULATIONS
- 5 - FREEZER AND GEAR REDUCER ASSY - UP TO S.N. 09890
- 6 - FREEZER AND GEAR REDUCER ASSY - FROM S.N. 09891
- 7 - P.C. BOARD AND SENSORS ASSY - UP TO S.N. 09928
- 8 - P.C. BOARD AND SENSORS ASSY - FROM S.N. 09929



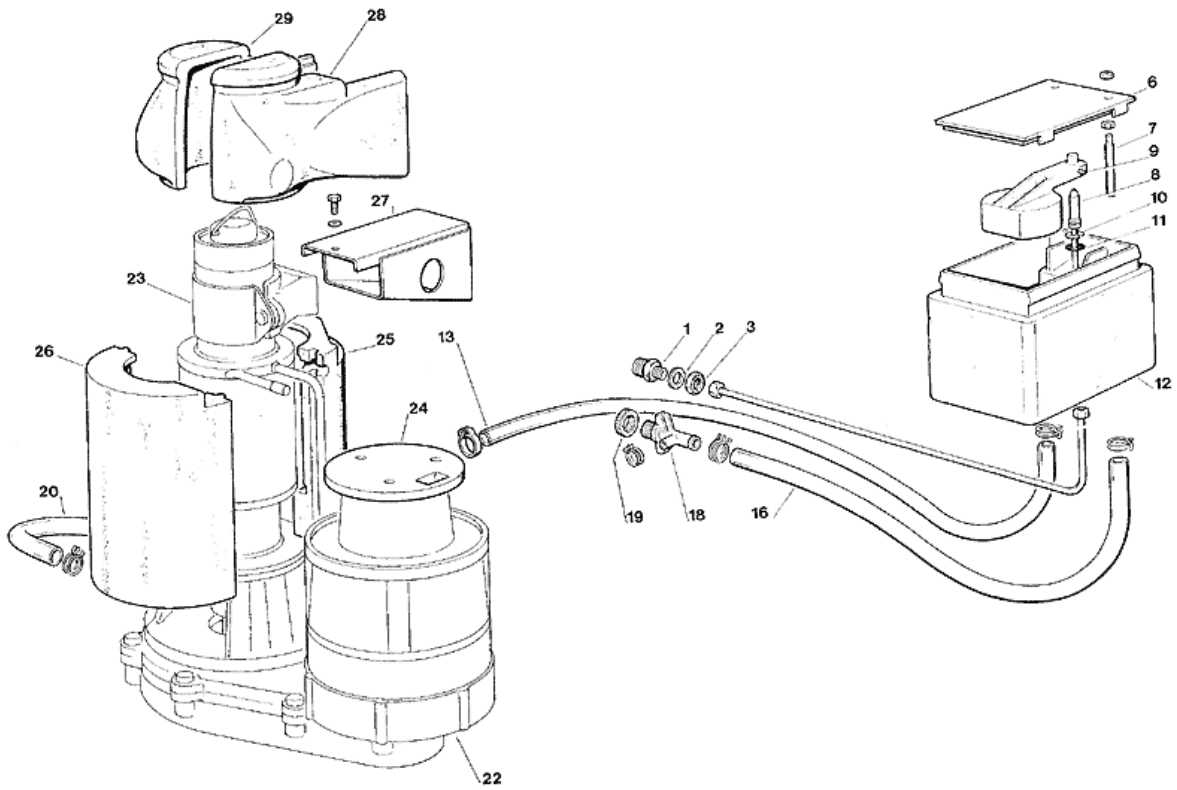
<b>POSITION</b>	<b>CODE</b>	<b>DESCRIPTION</b>
0001	742045 00	BIN ASSY
0002	701803 01	PANEL - FRONT -
0002	781411 00R	UNIT FRAME ASSY
0003	660490 07	TOP PANEL GREY
0004	660486 00	PLASTIC SPOUT
0005	701794 01	BRACKET
0006	701808 02	LEFT SIDE PANEL
0007	721437 04	S.S. FRONT STRIPE
0008	781309 14	FRONT PANEL
0009	781503 00R	BIN DOOR ASSY
0010	660286 00	BUSHING
0013	650670 00	LEG KIT
0014	650670 00	LEG KIT
0015	650624 10	MONITORING LED ASSY



POSITION	CODE	DESCRIPTION
0001	670101 03	COMPRESSOR 230/50/1
0001	670101 04	COMPRESSOR 230/60/1
0001	670101 07	COMPRESSOR ASSY - 115/60
0005	620058 04	PROTECTOR 230/60
0005	620058 51	PROTECTOR 230/50
0005	620058 89	PROTECTOR - 115/60
0009	620057 29	RELAY
0009	620168 22	RELAY - 230/50
0009	620168 25	RELAY - 230/60
0010	620167 01	START CAPACITOR 64-77 MFD/330V
0010	620167 19	RUN CAPACITOR - 30 MFD
0010	620167 21	CAPACITOR - 15 MFD/400V
0010	620167 54	CAPACITOR - 35 MFD/450V
0012	650109 00	VALVE BODY
0013	670012 00	VALVE CORE
0014	650106 00	CAP
0015	620405 00	CONDENSER
0019	620419 02	FAN MOTOR - 230/50-60
0019	620419 03	FAN MOTOR - 115/60
0020	620419 33	BLADE
0025	630003 06	FILTER
0026	784469 05R	SUCTION LINE ASSY

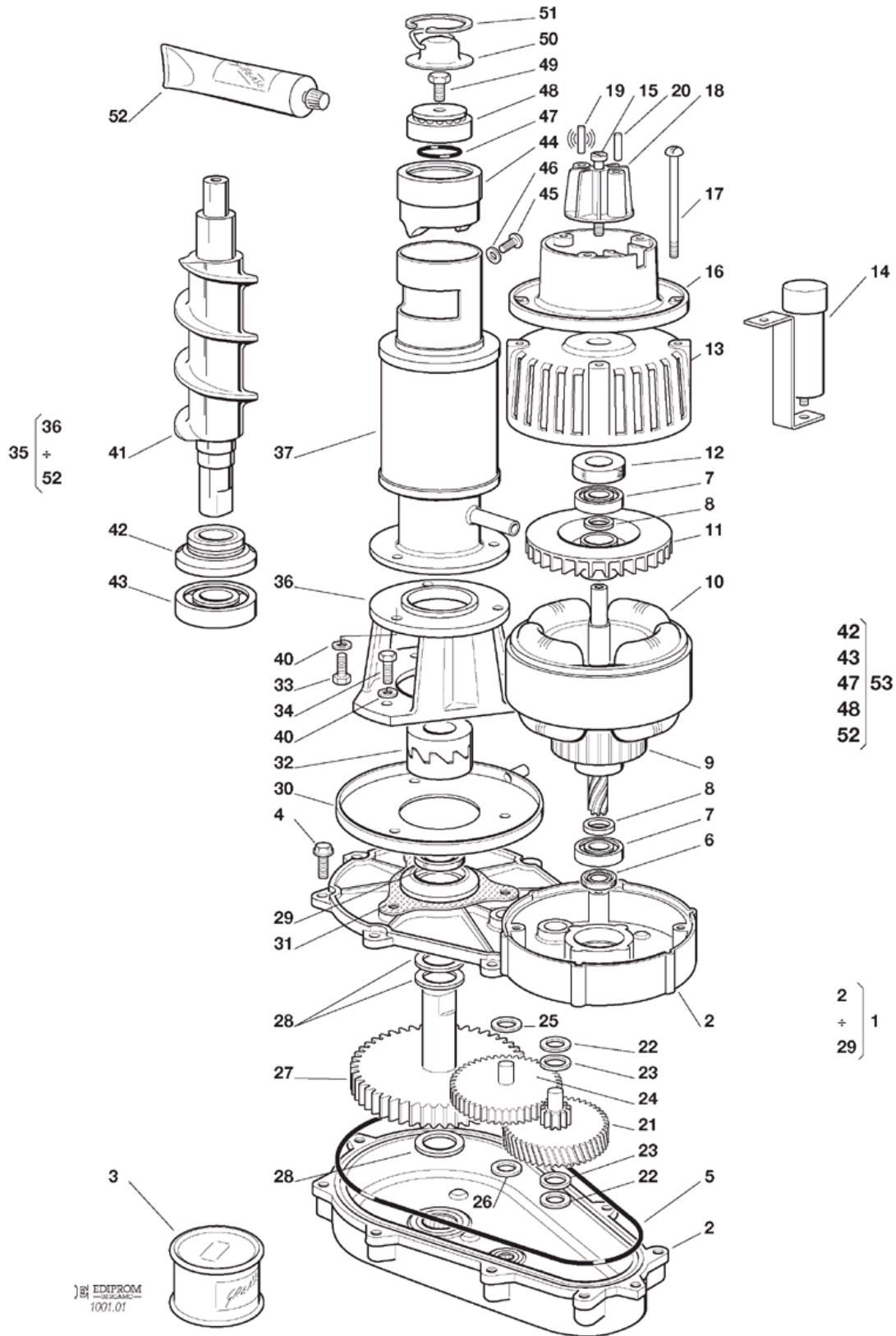


<b>POSITION</b>	<b>CODE</b>	<b>DESCRIPTION</b>
0001	670101 03	COMPRESSOR 230/50/1
0001	670101 04	COMPRESSOR 230/60/1
0001	670101 07	COMPRESSOR ASSY - 115/60
0005	620058 04	PROTECTOR 230/60
0005	620058 51	PROTECTOR 230/50
0005	620058 89	PROTECTOR - 115/60
0009	620057 29	RELAY
0009	620168 22	RELAY - 230/50
0009	620168 25	RELAY - 230/60
0010	620167 01	START CAPACITOR 64-77 MFD/330V
0010	620167 19	RUN CAPACITOR - 30 MFD
0010	620167 21	CAPACITOR - 15 MFD/400V
0010	620167 54	CAPACITOR - 35 MFD/450V
0012	650109 00	VALVE BODY
0013	670012 00	VALVE CORE
0014	650106 00	CAP
0015	620389 00	CONDENSER
0018	733204 00	WATER INLET FITTING
0019	400031 01	WASHER
0020	620111 00	WATER REGUL. VALVE
0021	733173 01	FITTING
0022	281900 03	TUBE 18X12
0024	733174 00	FITTING
0025	400076 00	NUT
0026	400031 00	WASHER
0027	630003 06	FILTER
0028	784469 05R	SUCTION LINE ASSY





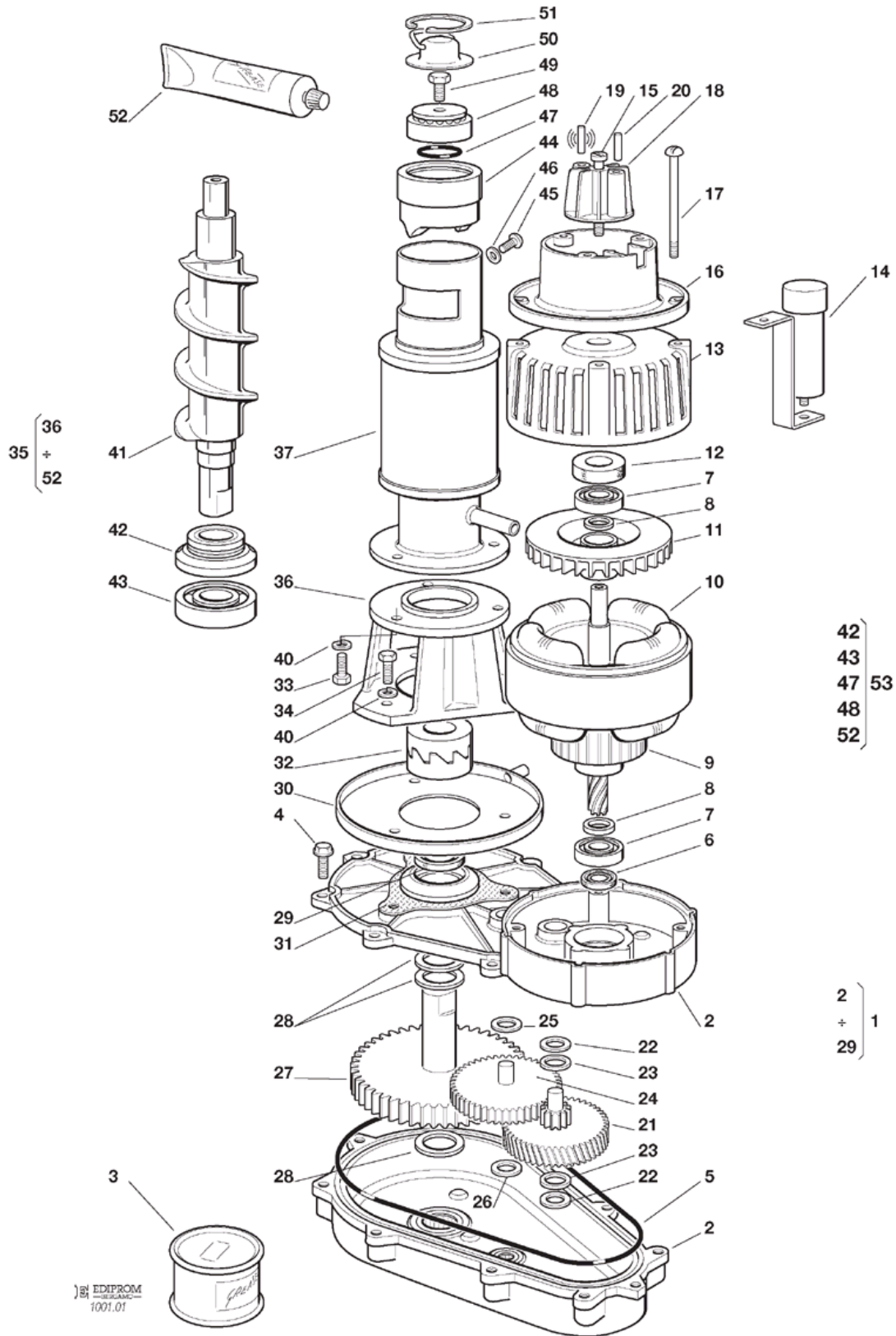
POSITION	CODE	DESCRIPTION
0001	733205 00	WATER INLET FITTING
0002	400031 00	WASHER
0003	400030 01	NUT
0006	660363 00	COVER
0007	724215 06	WATER LEVEL METAL PIN
0008	783153 00R	WATER INLET FITTING
0009	660585 00	FLOAT VALVE
0010	460038 02	RETAINING CLIP
0011	640100 00	O RING
0012	793126 01	WATER RESERVOIR
0013	281822 00	PLASTIC HOSE
0016	281832 00	TUBE
0018	660224 00	TEE TUBE
0019	660535 00	PLASTIC NUT
0020	610171 02	TUBE
0022	794225 13R	GEAR REDUCER ASSY 230V
0022	794225 14R	GEAR REDUCER ASSY 115V
0023	794237 06R	FREEZER ASSY
0024	650515 02	PLASTIC COVER
0025	060551 04	KIT INSULATION, FREEZER
0026	060551 04	KIT INSULATION, FREEZER
0027	660676 00	ICE SPOUT
0028	650887 00	SPOUT INSULATION
0029	650887 00	SPOUT INSULATION



# Scotsman® - FREEZER AND GEAR REDUCER ASSY - UP TO S.N. 09890

POSITION	CODE	DESCRIPTION
0001	794225 13R	GEAR REDUCER ASSY 230V
0001	794225 14R	GEAR REDUCER ASSY 115V
0002	001015 01	GEAR CASE KIT
0003	060294 01	GREASE
0004	03001251 00	SCREW 5/16-18X1
0004	429852 00	SCREW M6X20
0005	640084 00	O RING
0006	640083 00	GREASE SEAL
0007	651056 00	BEARING
0008	441800 09	SPECIAL WASHER
0009	794123 03R	ROTOR ASSY
0010	620394 00	STATOR 230V
0010	620394 01	STATOR 115V
0011	764001 01	BLADE
0012	640095 00	RUBBER INSERT
0013	794226 01R	DRIVE MOTOR COVER
0014	620520 00	CAPACITOR - 12,5 MFD
0014	620520 03	CAPACITOR - 4 MFD
0015	03001403 77	SCREW
0016	650515 01	MOTOR COVER
0017	423872 02	SCREW
0018	784476 00	MAGNETO ASSY
0019	784476 00	MAGNETO ASSY
0020	784476 00	MAGNETO ASSY
0021	651160 00	GEAR
0022	441800 05	WASHER
0023	441800 06	WASHER
0024	651161 00	GEAR AND PINION
0025	441800 08	WASHER
0026	441800 07	WASHER
0027	651162 01	3RD GEAR & PINION
0028	03001408 04	WASHER
0028	441808 00	WASHER
0029	640019 01	GASKET SMIM 2232/5.5
0030	660756 00	DRIP PAN
0031	640060 00	GASKET
0032	060359 00	KIT COUPLING AF
0033	03001405 38	SCREW 5/16 X 3/4"
0033	420019 00	SCREW
0034	420019 00	SCREW
0035	794237 06R	FREEZER ASSY
0036	764010 00	FREEZER BRACKET
0036	794237 06R	FREEZER ASSY
0037	060705 02	EVAPORATOR ASSY
0041	724052 06	AUGER AF 30
0042	640040 00	WATER SEAL (02001300 21)
0043	670011 01	BEARING
0044	060720 00	ICE BREAKER ASSY
0045	420000 26	SCREW
0047	640041 01	O RING
0048	060720 00	ICE BREAKER ASSY
0049	420030 00	SCREW
0050	734105 00	CAP WORM
0051	650297 00	SNAP RING
0052	263612 00	GREASE
0053	001028 07R	KIT BEARING + SEAL AF

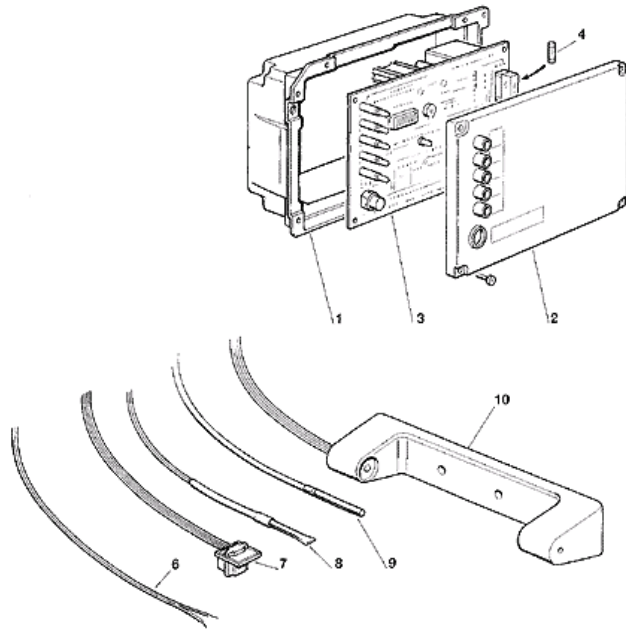
# Scotsman® - FREEZER AND GEAR REDUCER ASSY - FROM S.N. 09891



# Scotsman® - FREEZER AND GEAR REDUCER ASSY - FROM S.N. 09891

POSITION	CODE	DESCRIPTION
0001	794225 13R	GEAR REDUCER ASSY 230V
0001	794225 14R	GEAR REDUCER ASSY 115V
0002	001015 01	GEAR CASE KIT
0003	060294 01	GREASE
0004	03001251 00	SCREW 5/16-18X1
0004	429852 00	SCREW M6X20
0005	640084 00	O RING
0006	640083 00	GREASE SEAL
0007	651056 00	BEARING
0008	441800 09	SPECIAL WASHER
0009	794123 03R	ROTOR ASSY
0010	620521 00	STATOR - 230V
0010	620521 01	STATOR - 115V
0011	764001 01	BLADE
0012	640095 00	RUBBER INSERT
0013	794226 01R	DRIVE MOTOR COVER
0014	620520 00	CAPACITOR - 12,5 MFD
0014	620520 03	CAPACITOR - 4 MFD
0015	03001403 77	SCREW
0016	650515 01	MOTOR COVER
0017	423872 02	SCREW
0018	784476 00	MAGNETO ASSY
0019	784476 00	MAGNETO ASSY
0020	784476 00	MAGNETO ASSY
0021	651160 00	GEAR
0022	441800 05	WASHER
0023	441800 06	WASHER
0024	651161 00	GEAR AND PINION
0025	441800 08	WASHER
0026	441800 07	WASHER
0027	651162 01	3RD GEAR & PINION
0028	03001408 04	WASHER
0028	441808 00	WASHER
0029	640019 01	GASKET SMIM 2232/5.5
0030	660756 00	DRIP PAN
0031	640060 00	GASKET
0032	060359 00	KIT COUPLING AF
0033	03001405 38	SCREW 5/16 X 3/4"
0033	420019 00	SCREW
0034	420019 00	SCREW
0035	794237 06R	FREEZER ASSY
0036	764010 00	FREEZER BRACKET
0036	794237 06R	FREEZER ASSY
0037	060705 02	EVAPORATOR ASSY
0041	724052 06	AUGER AF 30
0042	640040 00	WATER SEAL (02001300 21)
0043	670011 01	BEARING
0044	060720 00	ICE BREAKER ASSY
0045	420000 26	SCREW
0047	640041 01	O RING
0048	060720 00	ICE BREAKER ASSY
0049	420030 00	SCREW
0050	734105 00	CAP WORM
0051	650297 00	SNAP RING
0052	263612 00	GREASE
0053	001028 07R	KIT BEARING + SEAL AF

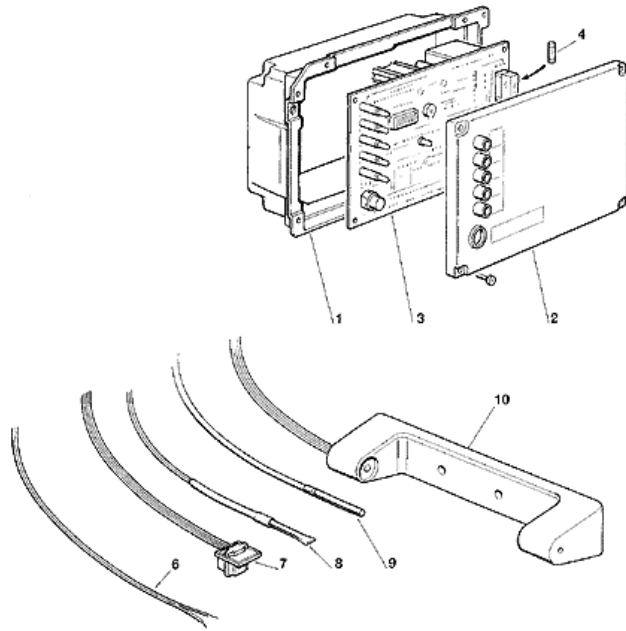
# Scotsman® 7 - P.C. BOARD AND SENSORS ASSY - UP TO S.N. 09928



# Scotsman® 7 - P.C. BOARD AND SENSORS ASSY - UP TO S.N. 09928

POSITION	CODE	DESCRIPTION
0001	CM 29070021	CONTROL BOX
0002	CM 29015057	CONTROL BOX COVER
0003	620462 02	PC BOARD ASSY - 230/50-60
0003	620462 03	PC BOARD, 115V
0004	630015 09	FUSE 100MA 250V
0004	630015 10	FUSE 16A 250V
0006	620404 13	WATER LEVEL SENSOR
0007	620404 03	HALL SENSOR
0008	620404 11	CONDENSER SENSOR
0009	620404 10	EVAPORATOR SENSOR
0010	650674 01	ICE LEVEL CTL.

**Scotsman**® 8 - P.C. BOARD AND SENSORS ASSY - FROM S.N. 09929





# Scotsman® 8 - P.C. BOARD AND SENSORS ASSY - FROM S.N. 09929

POSITION	CODE	DESCRIPTION
0001	CM 29070021	CONTROL BOX
0002	CM 29015057	CONTROL BOX COVER
0003	620462 03	PC BOARD, 115V
0003	620462 13	PC BOARD
0004	630015 09	FUSE 100MA 250V
0004	630015 10	FUSE 16A 250V
0006	620519 02	WATER LEVEL SENSOR
0007	620404 03	HALL SENSOR
0008	620519 00	CONDENSER SENSOR
0009	620519 01	EVAPORATOR SENSOR
0010	650674 01	ICE LEVEL CTL.