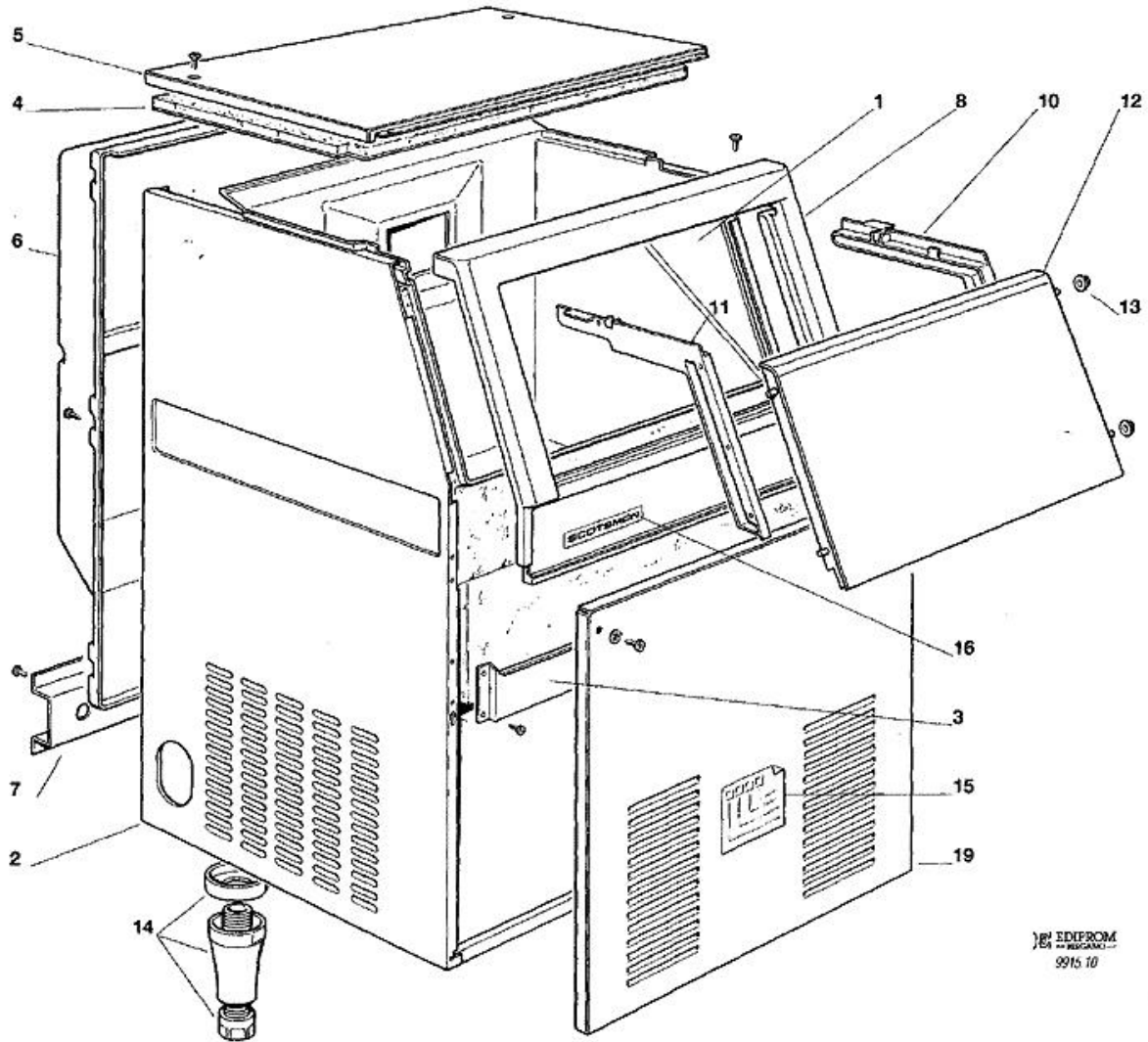
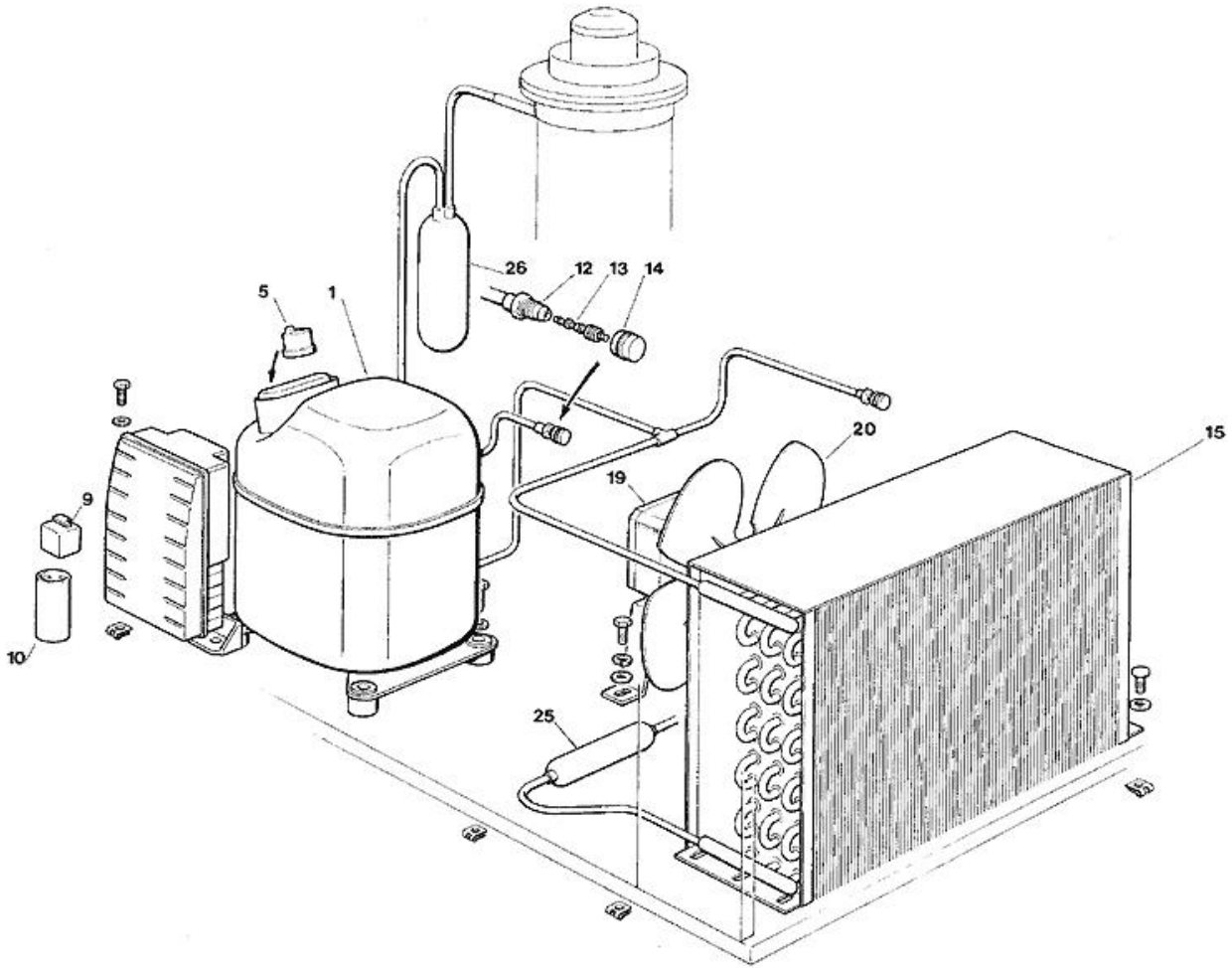


- 1 UNIT PANELS
- 2 REFRIGERANT SYSTEM AIR COOLED - UP TO S.N. 08888
- 3 REFRIGERANT SYSTEM AIR COOLED - FROM S.N. 08889
- 4 REFRIGERANT SYSTEM WATER COOLED - UP TO S.N. 08888
- 5 REFRIGERANT SYSTEM WATER COOLED - FROM S.N. 08889
- 6 WATER SYSTEM AND INSULATION - UP TO S.N. 07511
- 7 WATER SYSTEM AND INSULATION - FROM S.N. 07512
- 8 FREEZER AND GEAR REDUCER ASSY - UP TO S.N. 07846
- 9 FREEZER AND GEAR REDUCER ASSY - FROM S.N. 07847
- 10 P.C. BOARD AND SENSORS ASSY - UP TO S.N. 08150
- 11 P.C. BOARD AND SENSORS ASSY - FROM S.N. 08151 TO S.N. 09007
- 12 P.C. BOARD AND SENSORS ASSY - FROM S.N. 09008

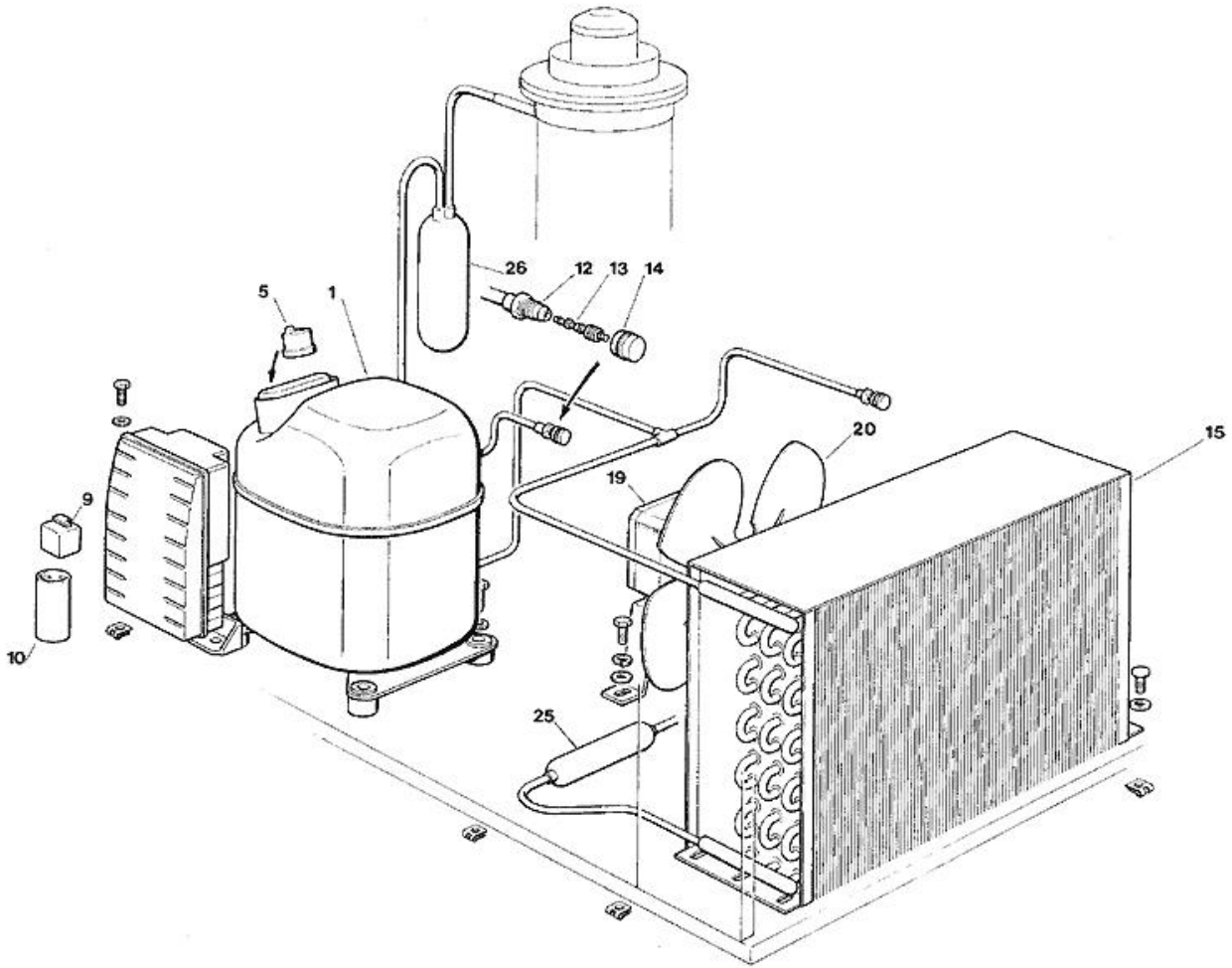


EDIFROM
9915 10

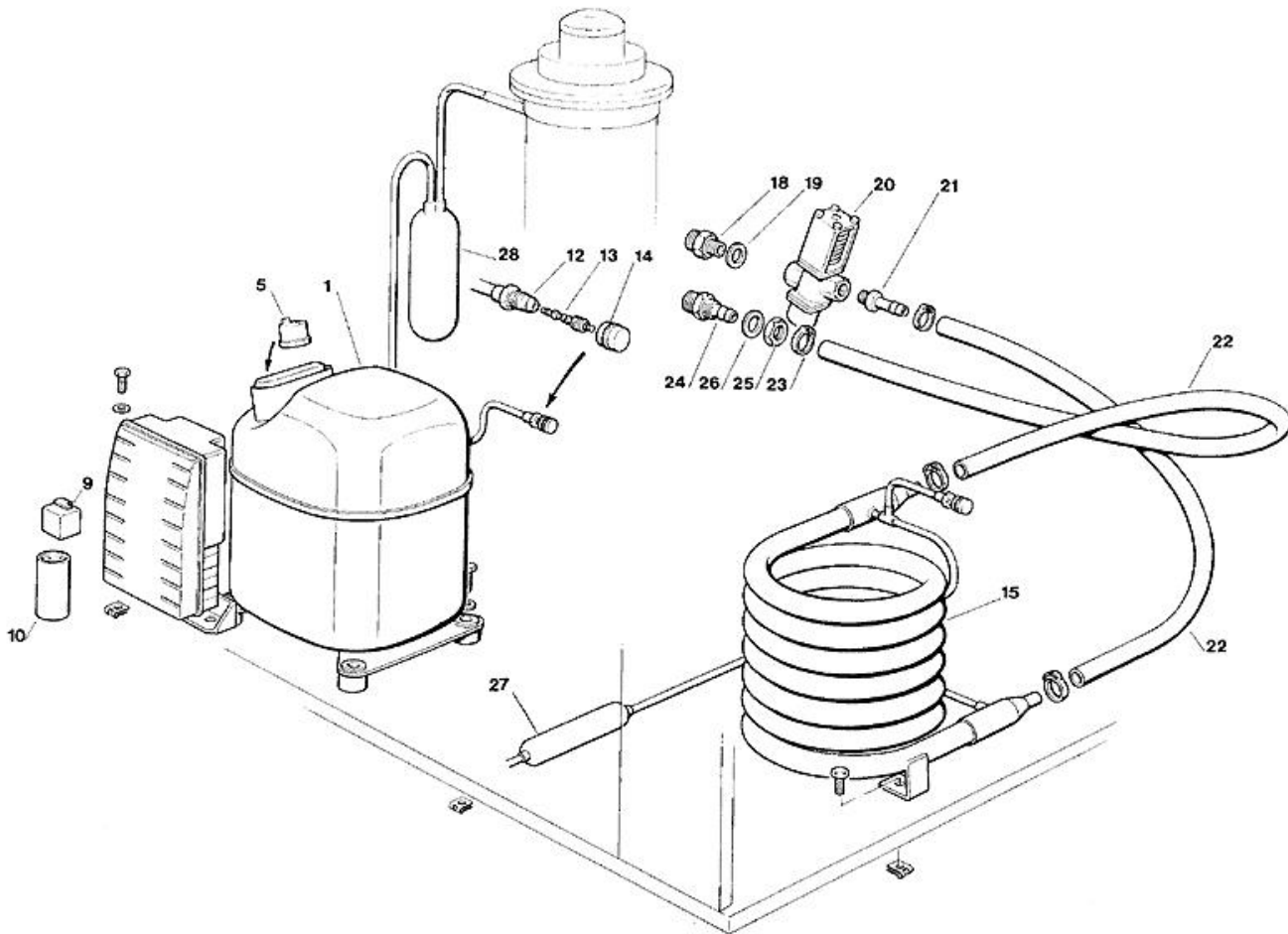
Pos	Code	Description
0001	792040 00R	INSULATED STORAGE BIN
0002	721712 01	LEFT SIDE PANEL
0002	721713 01	PANEL, RIGHT
0002	791061 05	UNIT BASE
0003	702254 00	FRONT SPACER
0004	794301 01R	UPPER INSULATION
0005	721715 01	TOP PANEL
0006	660668 00	REAR PANEL
0007	702248 00	BRACKET
0008	660641 00	BIN DOOR FRAME ONLY
0008	721669 02	FRONT STRIPE
0010	660523 00	RIGHT SIDE GUIDE
0011	660523 01	LEFT SIDE GUIDE
0012	660642 00	BIN DOOR
0013	660286 00	BUSHING
0014	650670 00	LEG KIT
0015	650624 13	LABEL
0016	660614 00	SCOTSMAN LOGO
0019	721714 03	FRONT PANEL



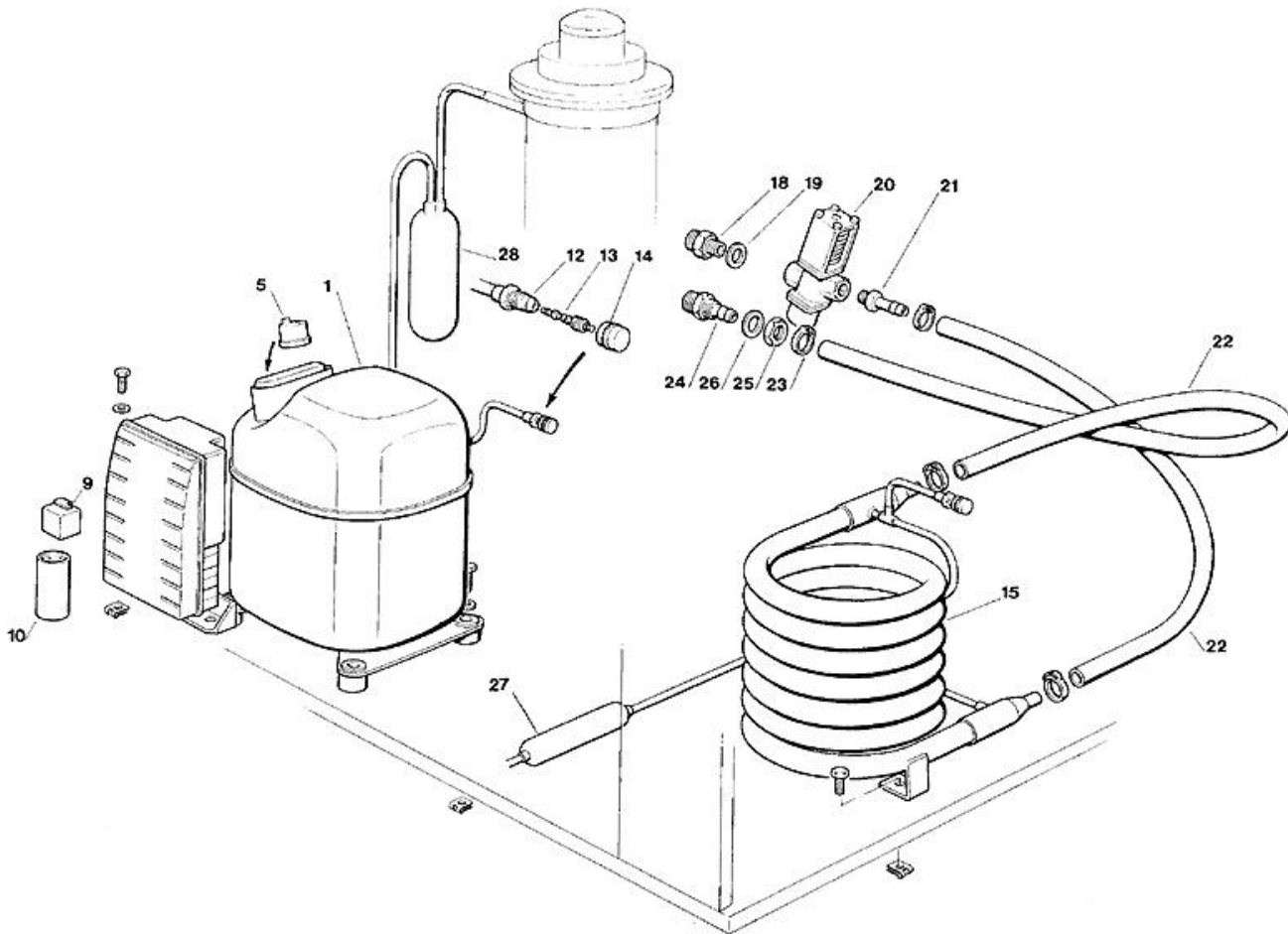
Pos	Code	Description
0001	670100 00	COMPRESSOR - 230/50/1
0001	670101 01	COMPRESSOR 230/60/1
0001	670101 05	COMPRESSOR ASSY - 115/60
0005	620058 43	PROTECTOR 115/60
0005	620058 77	PROTECTOR 230/60
0005	CUB 102314	PROTECTOR 230/50
0009	620057 42	RELAY - 230/50-60/1 - TECUMSEH CAE 4448 Y
0009	620057 58	START RELAY - 115/60
0009	CUB 405175	RELAY - 230/50/1
0010	620167 01	START CAPACITOR 64-77 MFD/330V
0010	620167 55	START CAPACITOR - 115/60
0010	EMB 2252347	CAPACITOR - 230/50/1
0012	650109 00	VALVE BODY
0013	670012 00	VALVE CORE
0014	650106 00	CAP
0015	620420 00	CONDENSER
0019	620419 02	FAN MOTOR - 230/50-60
0019	620419 03	FAN MOTOR - 115/60
0019	620419 61	FAN MOTOR BRACKET
0020	620419 32	FAN BLADE
0025	630003 05	DRIER
0026	784469 21R	SUCTION LINE



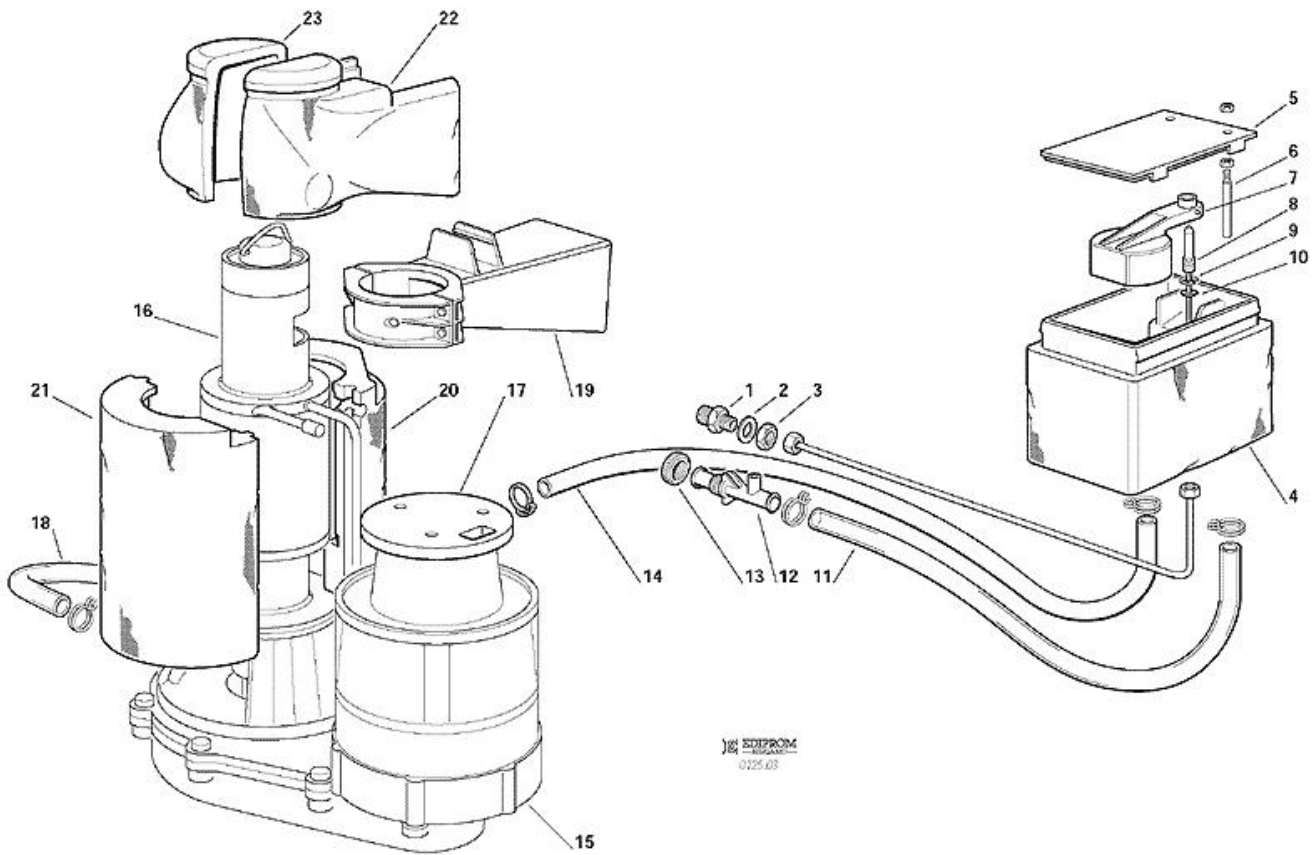
Pos	Code	Description
0001	670101 01	COMPRESSOR 230/60/1
0001	670101 05	COMPRESSOR ASSY - 115/60
0001	670101 11	COMPRESSOR 230/50/1
0005	620058 43	PROTECTOR 115/60
0005	620058 77	PROTECTOR 230/60
0005	620478 11	PROTECTOR 230/50/1
0009	620057 42	RELAY - 230/50-60/1 - TECUMSEH CAE 4448 Y
0009	620057 58	START RELAY - 115/60
0009	620057 71	RELAY 230/50/1
0010	620167 01	START CAPACITOR 64-77 MFD/330V
0010	620167 55	START CAPACITOR - 115/60
0010	EMB 2252347	CAPACITOR - 230/50/1
0012	650109 00	VALVE BODY
0013	670012 00	VALVE CORE
0014	650106 00	CAP
0015	620420 00	CONDENSER
0019	620419 02	FAN MOTOR - 230/50-60
0019	620419 03	FAN MOTOR - 115/60
0019	620419 61	FAN MOTOR BRACKET
0020	620419 32	FAN BLADE
0025	630003 05	DRIER
0026	784469 21R	SUCTION LINE



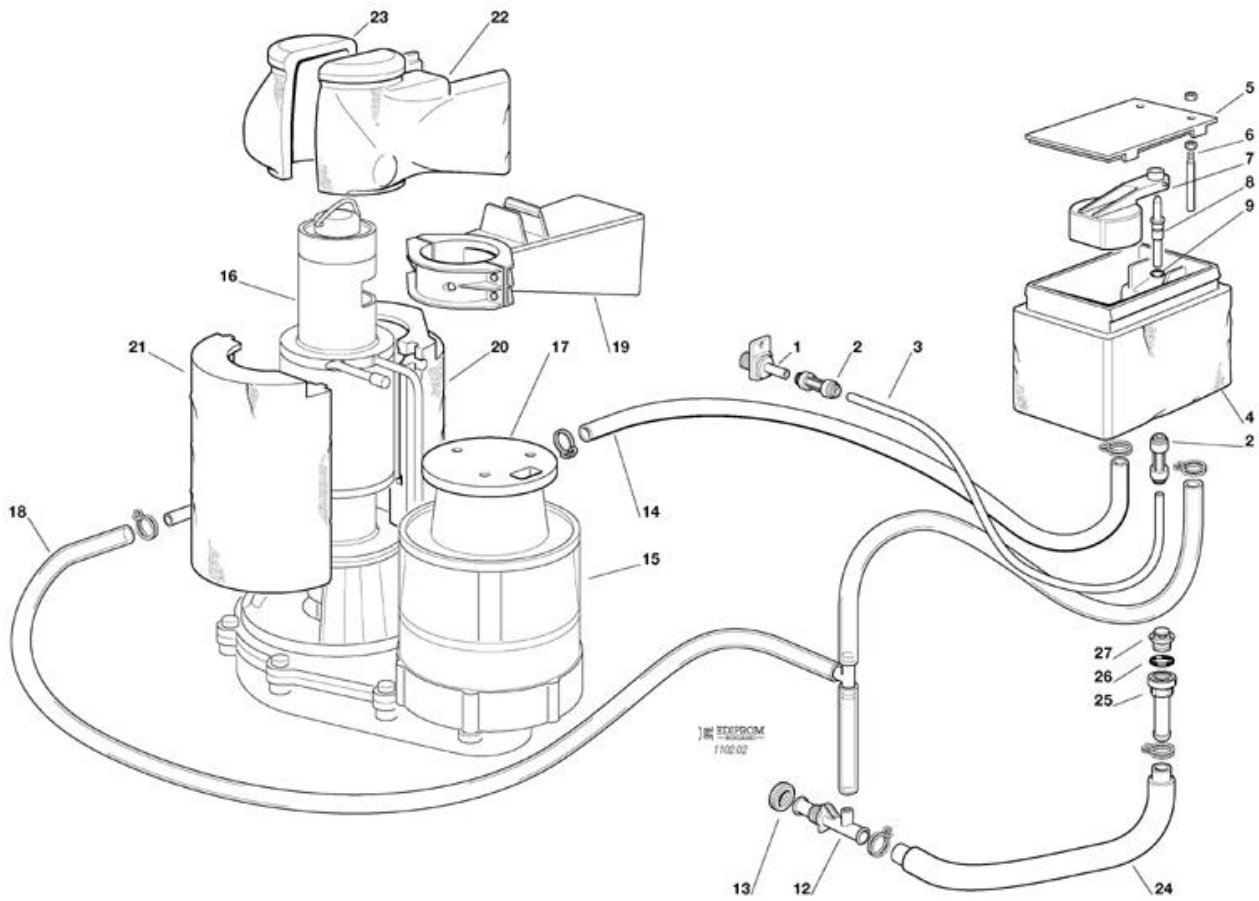
Pos	Code	Description
0001	670100 00	COMPRESSOR - 230/50/1
0001	670101 01	COMPRESSOR 230/60/1
0001	670101 05	COMPRESSOR ASSY - 115/60
0005	620058 43	PROTECTOR 115/60
0005	620058 77	PROTECTOR 230/60
0005	CUB 102314	PROTECTOR 230/50
0009	620057 42	RELAY - 230/50-60/1 - TECUMSEH CAE 4448 Y
0009	620057 58	START RELAY - 115/60
0009	CUB 405175	RELAY - 230/50/1
0010	620167 01	START CAPACITOR 64-77 MFD/330V
0010	620167 55	START CAPACITOR - 115/60
0010	EMB 2252347	CAPACITOR - 230/50/1
0012	650109 00	VALVE BODY
0013	670012 00	VALVE CORE
0014	650106 00	CAP
0015	620389 00	CONDENSER
0018	733204 00	WATER INLET FITTING
0019	400031 01	WASHER
0020	620111 00	WATER REGUL. VALVE
0021	733173 01	FITTING
0022	281900 03	TUBE 18X12
0024	733174 00	FITTING
0025	400076 00	NUT
0026	400031 00	WASHER
0027	630003 05	DRIER
0028	784469 21R	SUCTION LINE



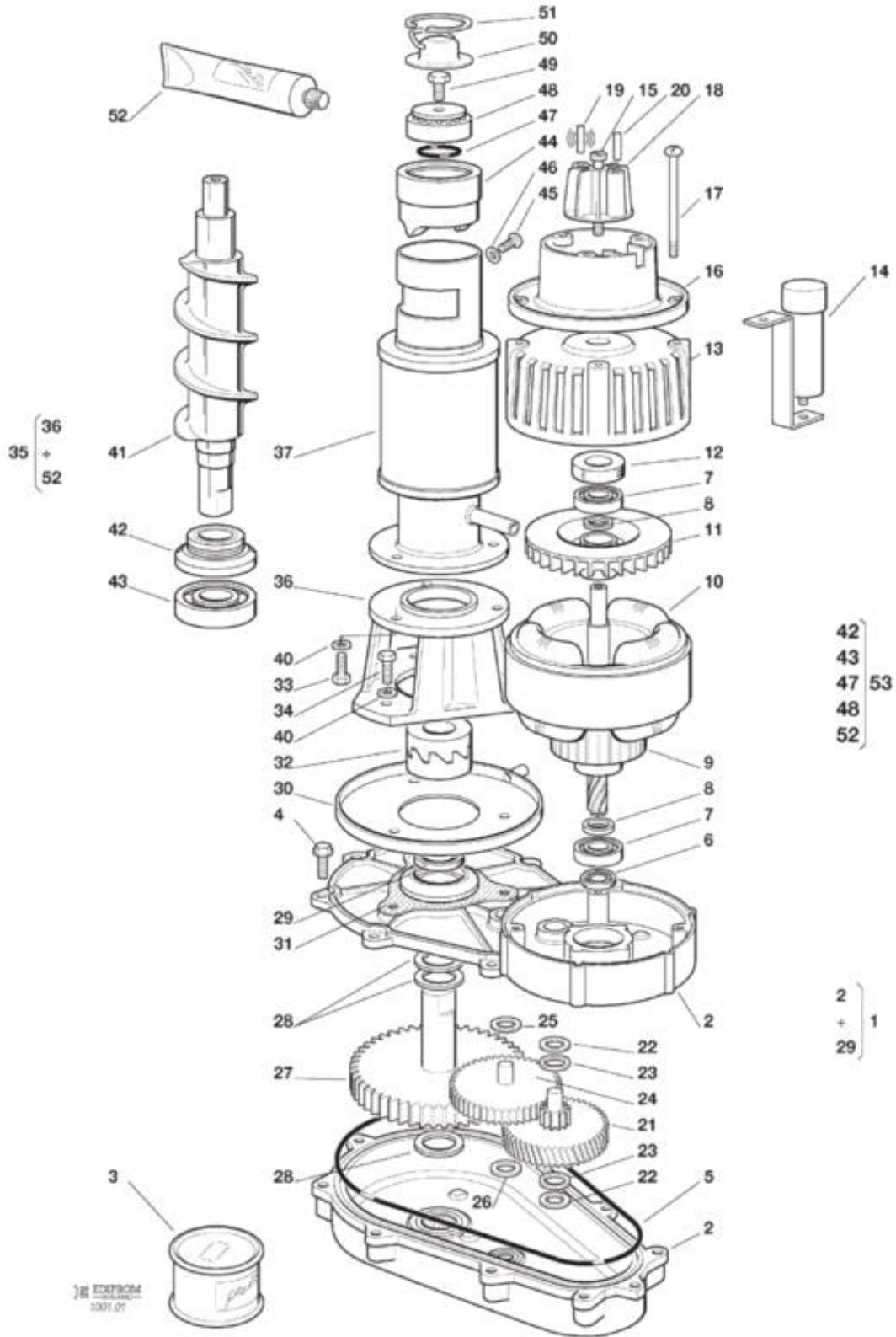
Pos	Code	Description
0001	670101 01	COMPRESSOR 230/60/1
0001	670101 05	COMPRESSOR ASSY - 115/60
0001	670101 11	COMPRESSOR 230/50/1
0005	620058 43	PROTECTOR 115/60
0005	620058 77	PROTECTOR 230/60
0005	620478 11	PROTECTOR 230/50/1
0009	620057 42	RELAY - 230/50-60/1 - TECUMSEH CAE 4448 Y
0009	620057 58	START RELAY - 115/60
0009	620057 71	RELAY 230/50/1
0010	620167 01	START CAPACITOR 64-77 MFD/330V
0010	620167 55	START CAPACITOR - 115/60
0010	EMB 2252347	CAPACITOR - 230/50/1
0012	650109 00	VALVE BODY
0013	670012 00	VALVE CORE
0014	650106 00	CAP
0015	620389 00	CONDENSER
0018	733204 00	WATER INLET FITTING
0019	400031 01	WASHER
0020	620111 00	WATER REGUL. VALVE
0021	733173 01	FITTING
0022	281900 03	TUBE 18X12
0024	733174 00	FITTING
0025	400076 00	NUT
0026	400031 00	WASHER
0027	630003 05	DRIER
0028	784469 21R	SUCTION LINE



Pos	Code	Description
0001	733205 00	WATER INLET FITTING
0002	400052 00	WASHER
0003	400053 01	NUT
0004	793126 01	WATER RESERVOIR
0005	660363 00	COVER
0006	724215 06	WATER LEVEL METAL PIN
0007	660585 00	FLOAT VALVE
0008	783153 00R	WATER INLET FITTING
0009	460038 02	RETAINING CLIP
0010	640100 00	O RING
0011	281832 00	TUBE
0012	660224 00	TEE TUBE
0013	660535 00	PLASTIC NUT
0014	281822 00	PLASTIC HOSE
0015	794225 13R	GEAR REDUCER ASSY 230V
0015	794225 14R	GEAR REDUCER ASSY 115V
0016	794302 01R	EVAPORATOR ASSY
0017	650515 02	PLASTIC COVER
0018	610171 02	TUBE
0019	660676 03	ICE SPOUT
0020	060551 02	KIT INSULATION, FREEZER
0021	060551 02	KIT INSULATION, FREEZER
0022	650887 00	SPOUT INSULATION
0023	650887 00	SPOUT INSULATION

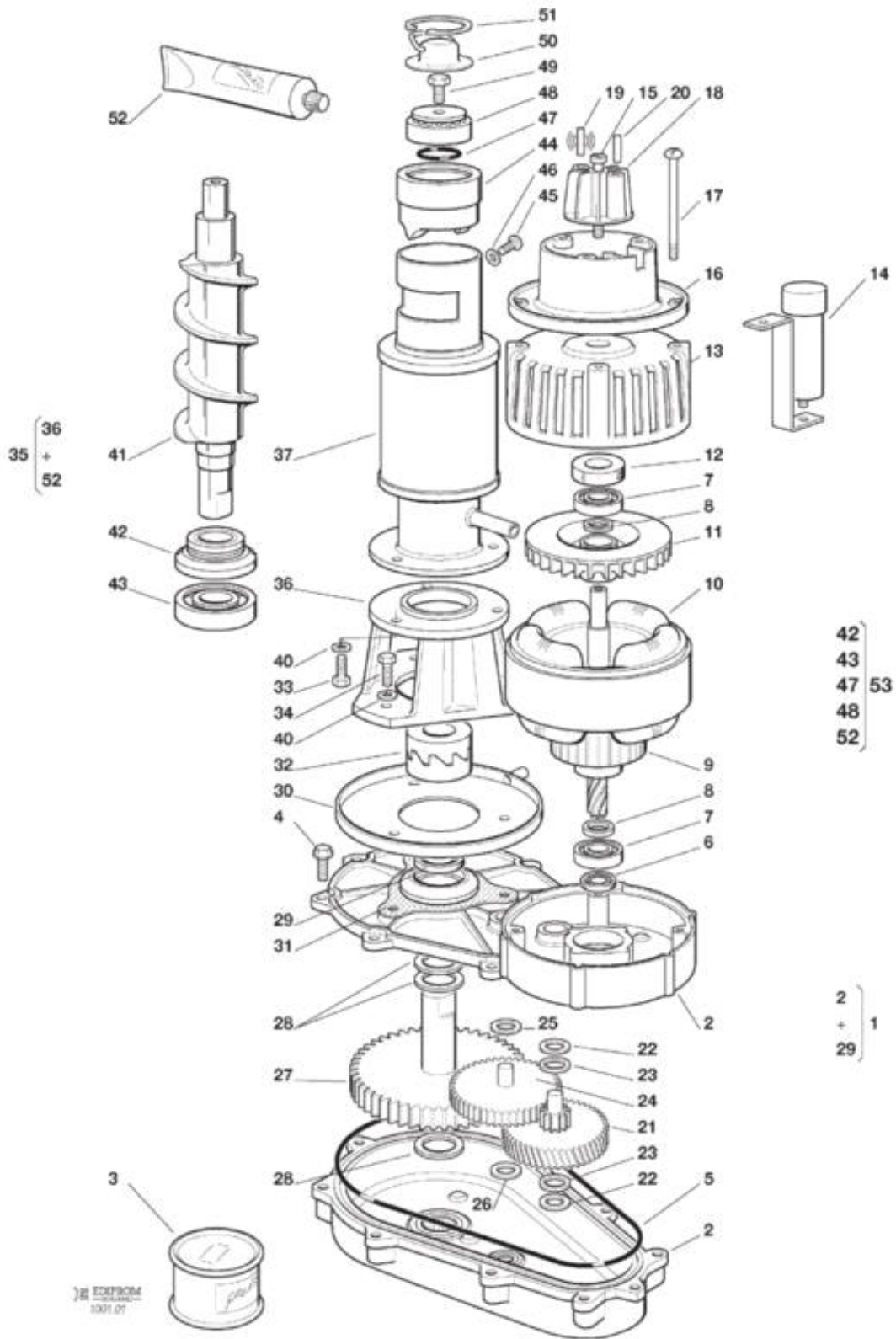


Pos	Code	Description
0001	660956 00	PLASTIC WATER INLET FITTING
0002	651224 04	WATER FITTING
0003	651206 02	POLYETHYLENE TUBE
0004	793126 01	WATER RESERVOIR
0005	660363 00	COVER
0006	724215 06	WATER LEVEL METAL PIN
0007	660585 00	FLOAT VALVE
0008	660957 00	PLASTIC NOZZLE
0009	640100 00	O RING
0012	660224 00	TEE TUBE
0013	660535 00	PLASTIC NUT
0014	281822 00	PLASTIC HOSE
0015	794225 13R	GEAR REDUCER ASSY 230V
0015	794225 14R	GEAR REDUCER ASSY 115V
0016	794302 01R	EVAPORATOR ASSY
0017	650515 02	PLASTIC COVER
0018	610171 02	TUBE
0019	660676 03	ICE SPOUT
0020	060551 02	KIT INSULATION, FREEZER
0021	060551 02	KIT INSULATION, FREEZER
0022	650887 00	SPOUT INSULATION
0023	650887 00	SPOUT INSULATION
0024	610148 10	TUBE
0025	660219 01	BIN DRAIN
0026	640134 00	O RING 4093
0027	660211 01	DRAIN FILTER



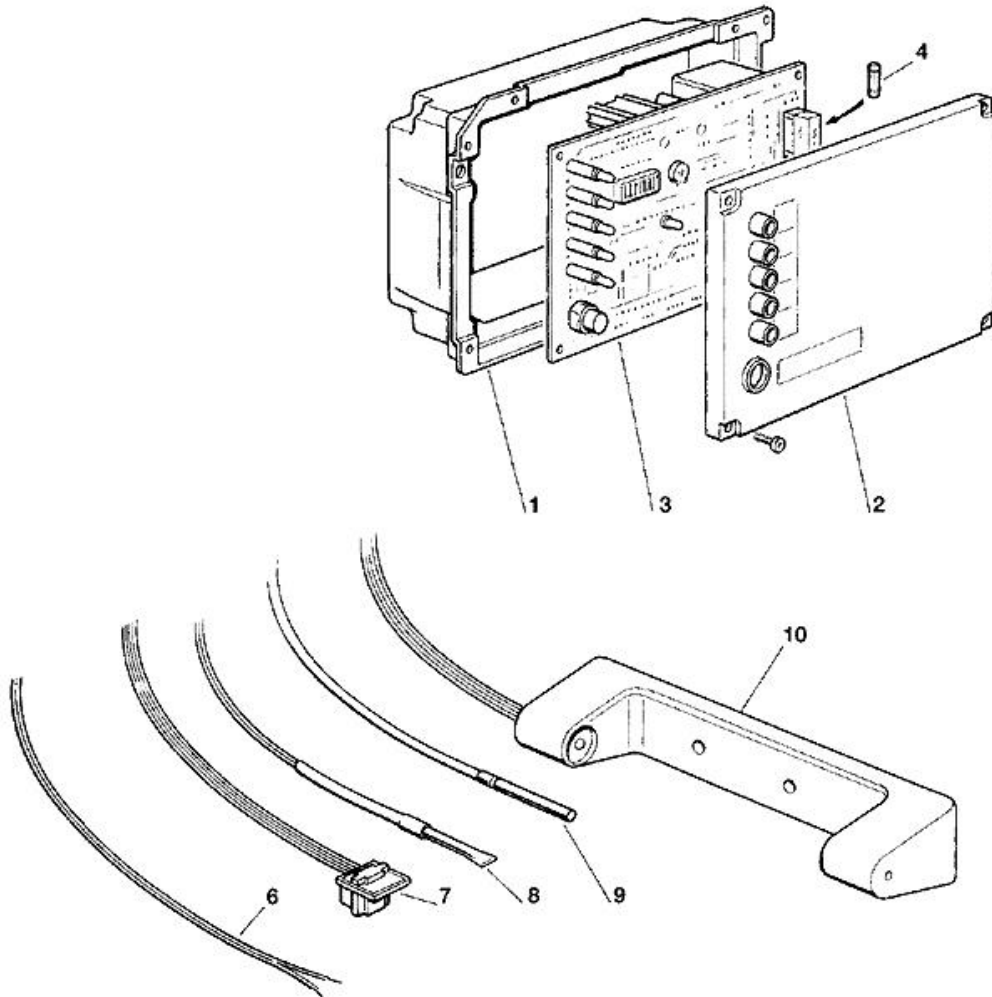
Pos	Code	Description
0001	794225 13R	GEAR REDUCER ASSY 230V
0001	794225 14R	GEAR REDUCER ASSY 115V
0002	001015 01	GEAR CASE KIT
0003	060294 04	
0004	03001251 00	SCREW 5/16-18x1
0004	429852 00	SCREW M6x20
0005	640084 00	O RING
0006	640083 00	GREASE SEAL
0007	651056 00	BEARING
0008	441800 09	SPECIAL WASHER
0009	794123 03R	ROTOR ASSY
0010	620394 00	STATOR 230V
0010	620394 01	STATOR 115V
0011	764001 01	BLADE
0012	640095 00	RUBBER INSERT
0013	794226 01R	DRIVE MOTOR COVER
0014	620520 00	CAPACITOR - 12,5 MFD
0014	620520 03	CAPACITOR - 4 MFD
0015	03001403 77	SCREW
0016	650515 01	MOTOR COVER
0017	423872 02	SCREW
0018	784476 00	MAGNETO ASSY
0019	784476 00	MAGNETO ASSY
0020	784476 00	MAGNETO ASSY
0021	651160 00	GEAR
0022	441800 05	WASHER
0023	441800 06	WASHER
0024	651161 00	GEAR AND PINION
0025	441800 08	WASHER
0026	441800 07	WASHER
0027	651162 01	3RD GEAR & PINION
0028	03001408 04	WASHER
0028	441808 00	WASHER
0029	640019 01	GASKET SMIM 2232/5.5
0030	660756 00	DRIP PAN
0031	640060 00	GASKET
0032	060359 00	KIT COUPLING AF
0033	03001405 38	SCREW 5/16 X 3/4"
0033	420019 00	SCREW
0034	420019 00	SCREW
0035	794302 01R	EVAPORATOR ASSY
0036	764010 00	FREEZER BRACKET
0037	060705 03	WORM TUBE ONLY
0041	724052 08	AUGER AF 10
0042	640040 00	WATER SEAL (02001300 21)

Pos	Code	Description
0043	670011 01	BEARING
0044	060720 00	ICE BREAKER ASSY
0045	420285 05	SCREW
0047	640041 01	O RING
0048	060720 00	ICE BREAKER ASSY
0049	420030 00	SCREW
0050	734105 00	CAP WORM
0051	650297 00	SNAP RING
0052	263612 00	GREASE
0053	001028 07R	KIT BEARING + SEAL AF

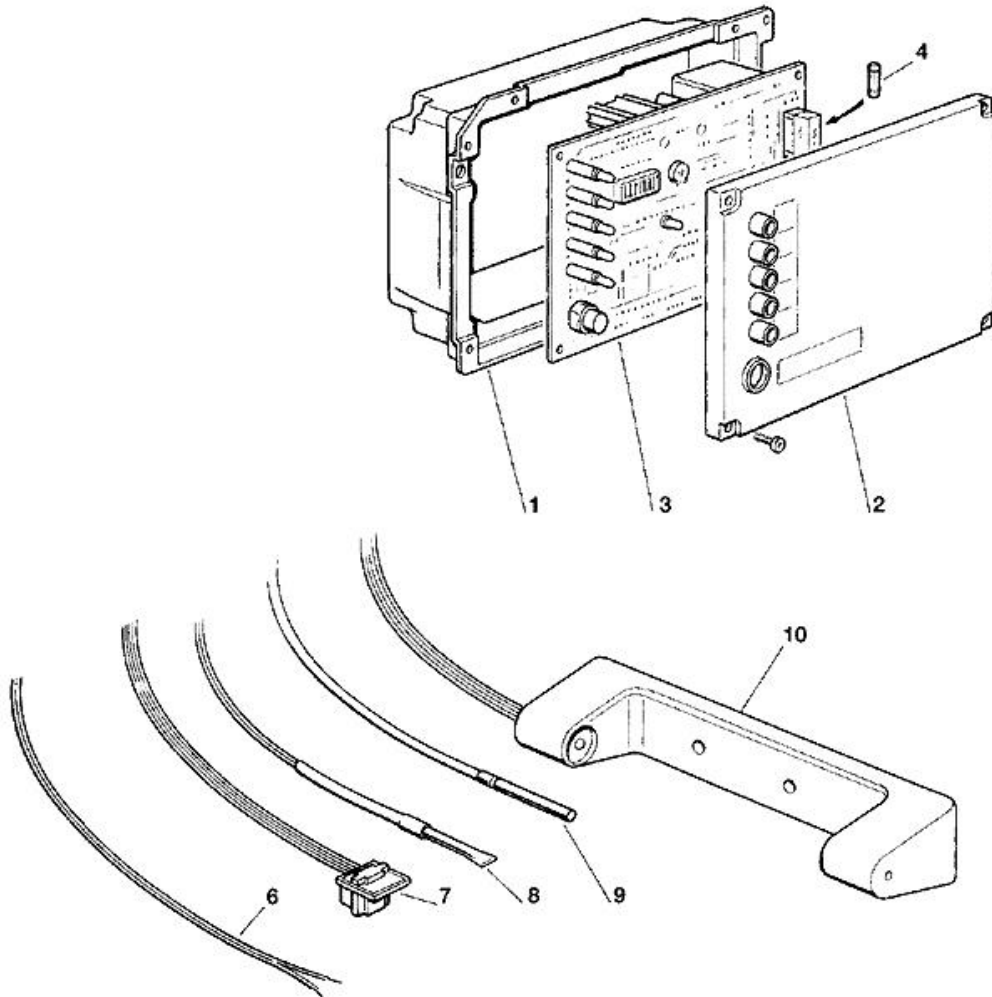


Pos	Code	Description
0001	794225 13R	GEAR REDUCER ASSY 230V
0001	794225 14R	GEAR REDUCER ASSY 115V
0002	001015 01	GEAR CASE KIT
0003	060294 04	
0004	03001251 00	SCREW 5/16-18x1
0004	429852 00	SCREW M6x20
0005	640084 00	O RING
0006	640083 00	GREASE SEAL
0007	651056 00	BEARING
0008	441800 09	SPECIAL WASHER
0009	794123 03R	ROTOR ASSY
0010	620521 00	STATOR - 230V
0010	620521 01	STATOR - 115V
0011	764001 01	BLADE
0012	640095 00	RUBBER INSERT
0013	794226 01R	DRIVE MOTOR COVER
0014	620520 00	CAPACITOR - 12,5 MFD
0014	620520 03	CAPACITOR - 4 MFD
0015	03001403 77	SCREW
0016	650515 01	MOTOR COVER
0017	423872 02	SCREW
0018	784476 00	MAGNETO ASSY
0019	784476 00	MAGNETO ASSY
0020	784476 00	MAGNETO ASSY
0021	651160 00	GEAR
0022	441800 05	WASHER
0023	441800 06	WASHER
0024	651161 00	GEAR AND PINION
0025	441800 08	WASHER
0026	441800 07	WASHER
0027	651162 01	3RD GEAR & PINION
0028	03001408 04	WASHER
0028	441808 00	WASHER
0029	640019 01	GASKET SMIM 2232/5.5
0030	660756 00	DRIP PAN
0031	640060 00	GASKET
0032	060359 00	KIT COUPLING AF
0033	03001405 38	SCREW 5/16 X 3/4"
0033	420019 00	SCREW
0034	420019 00	SCREW
0035	794302 01R	EVAPORATOR ASSY
0036	764010 00	FREEZER BRACKET
0037	060705 03	WORM TUBE ONLY
0041	724052 08	AUGER AF 10
0042	640040 00	WATER SEAL (02001300 21)

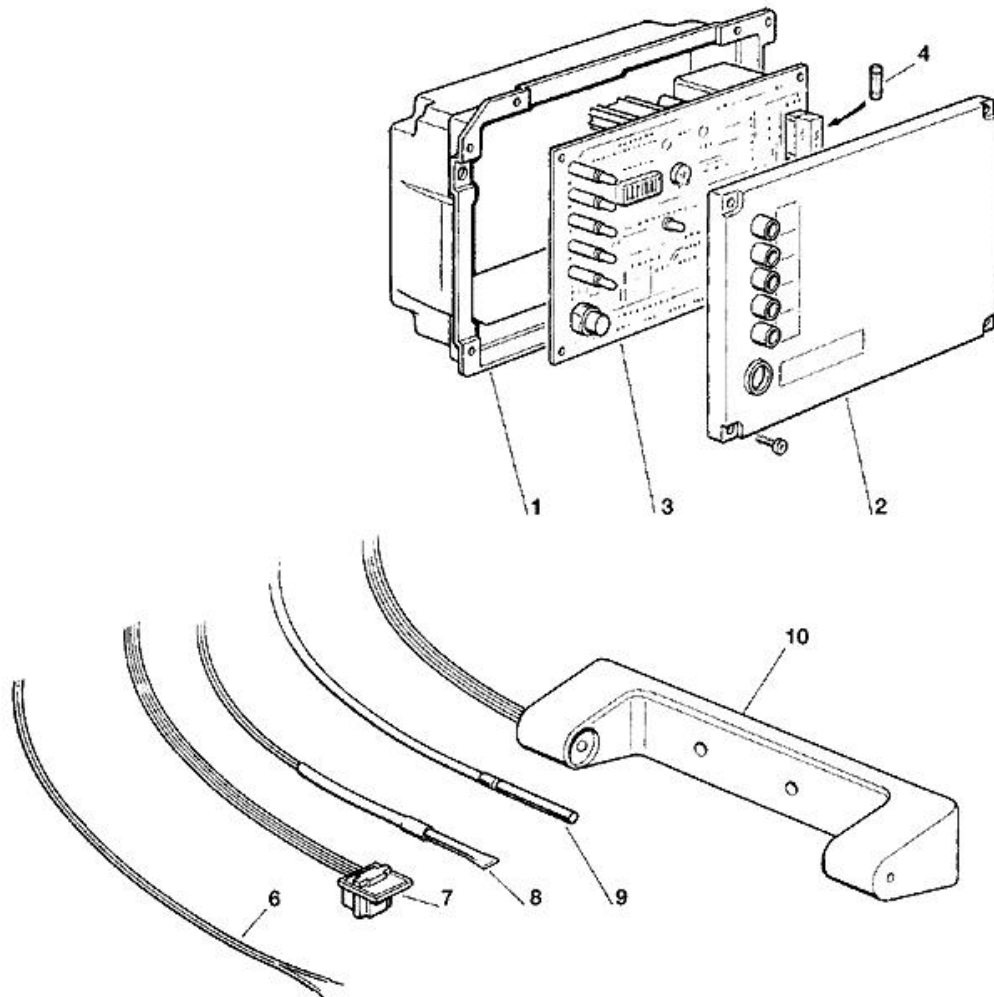
Pos	Code	Description
0043	670011 01	BEARING
0044	060720 00	ICE BREAKER ASSY
0045	420285 05	SCREW
0047	640041 01	O RING
0048	060720 00	ICE BREAKER ASSY
0049	420030 00	SCREW
0050	734105 00	CAP WORM
0051	650297 00	SNAP RING
0052	263612 00	GREASE
0053	001028 07R	KIT BEARING + SEAL AF



Pos	Code	Description
0001	CM 29070021	CONTROL BOX
0002	CM 29015057	CONTROL BOX COVER
0003	060711 10	PC BOARD KIT
0003	620462 03	PC BOARD, 115V
0004	630015 09	FUSE 100MA 250V
0004	630015 10	FUSE 16A 250V
0006	620404 13	WATER LEVEL SENSOR
0007	620404 03	HALL SENSOR
0008	620404 11	CONDENSER SENSOR
0009	620404 10	EVAPORATOR SENSOR
0010	650674 01	ICE LEVEL CTL.



Pos	Code	Description
0001	CM 29070021	CONTROL BOX
0002	CM 29015057	CONTROL BOX COVER
0003	620462 03	PC BOARD, 115V
0003	620462 13	PC BOARD
0004	630015 09	FUSE 100MA 250V
0004	630015 10	FUSE 16A 250V
0006	620519 02	WATER LEVEL SENSOR
0007	620404 03	HALL SENSOR
0008	620519 04	CONDENSER SENSOR
0009	620519 01	EVAPORATOR SENSOR
0010	650674 01	ICE LEVEL CTL.



Pos	Code	Description
0001	CM 29070021	CONTROL BOX
0002	CM 29015057	CONTROL BOX COVER
0003	620462 15	PC BOARD
0003	620462 16	PC BOARD, 115V
0004	630015 15	FUSIBLE - T6.4A-250V
0006	620519 02	WATER LEVEL SENSOR
0007	620404 03	HALL SENSOR
0008	620519 04	CONDENSER SENSOR
0009	620519 01	EVAPORATOR SENSOR
0010	650674 01	ICE LEVEL CTL.