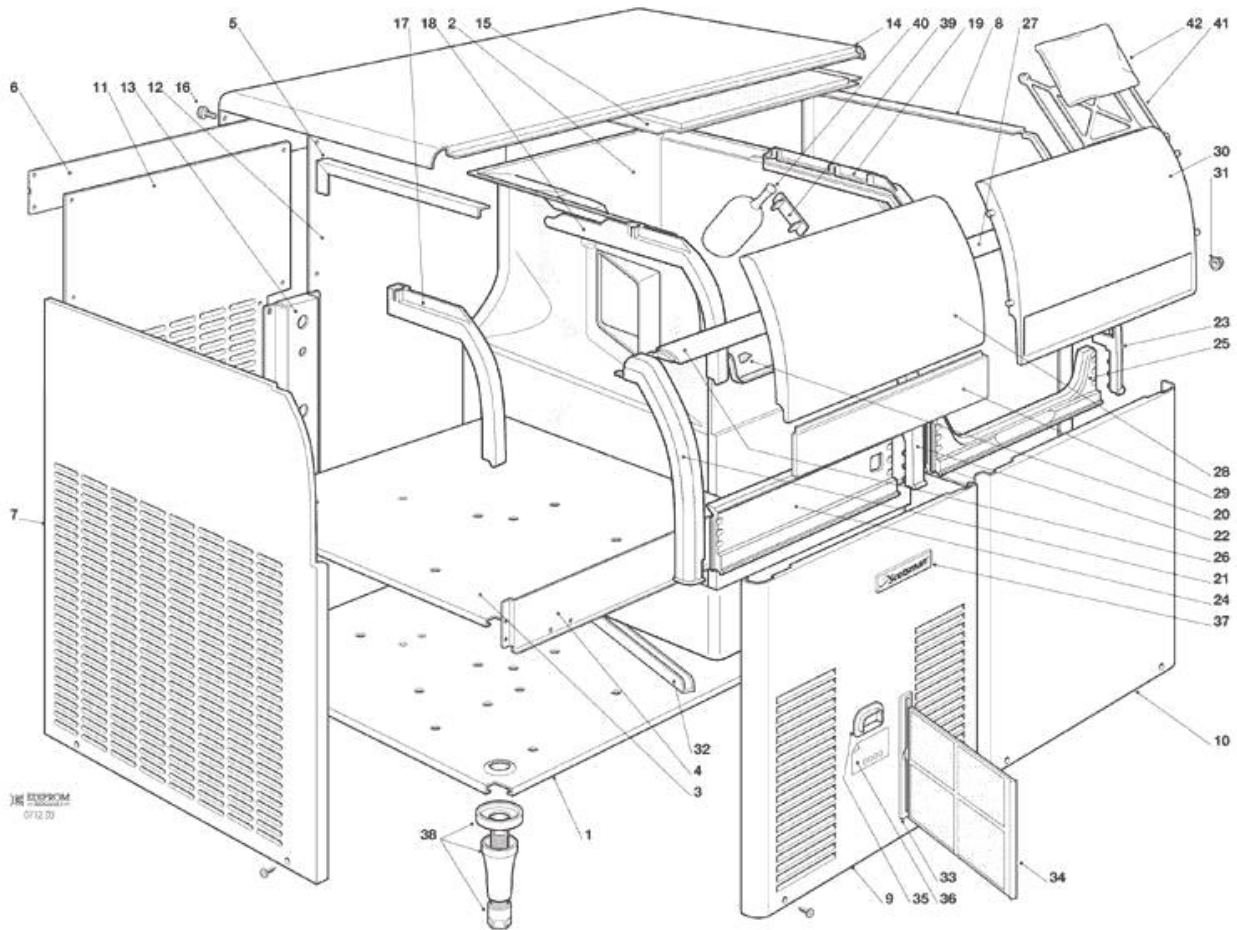
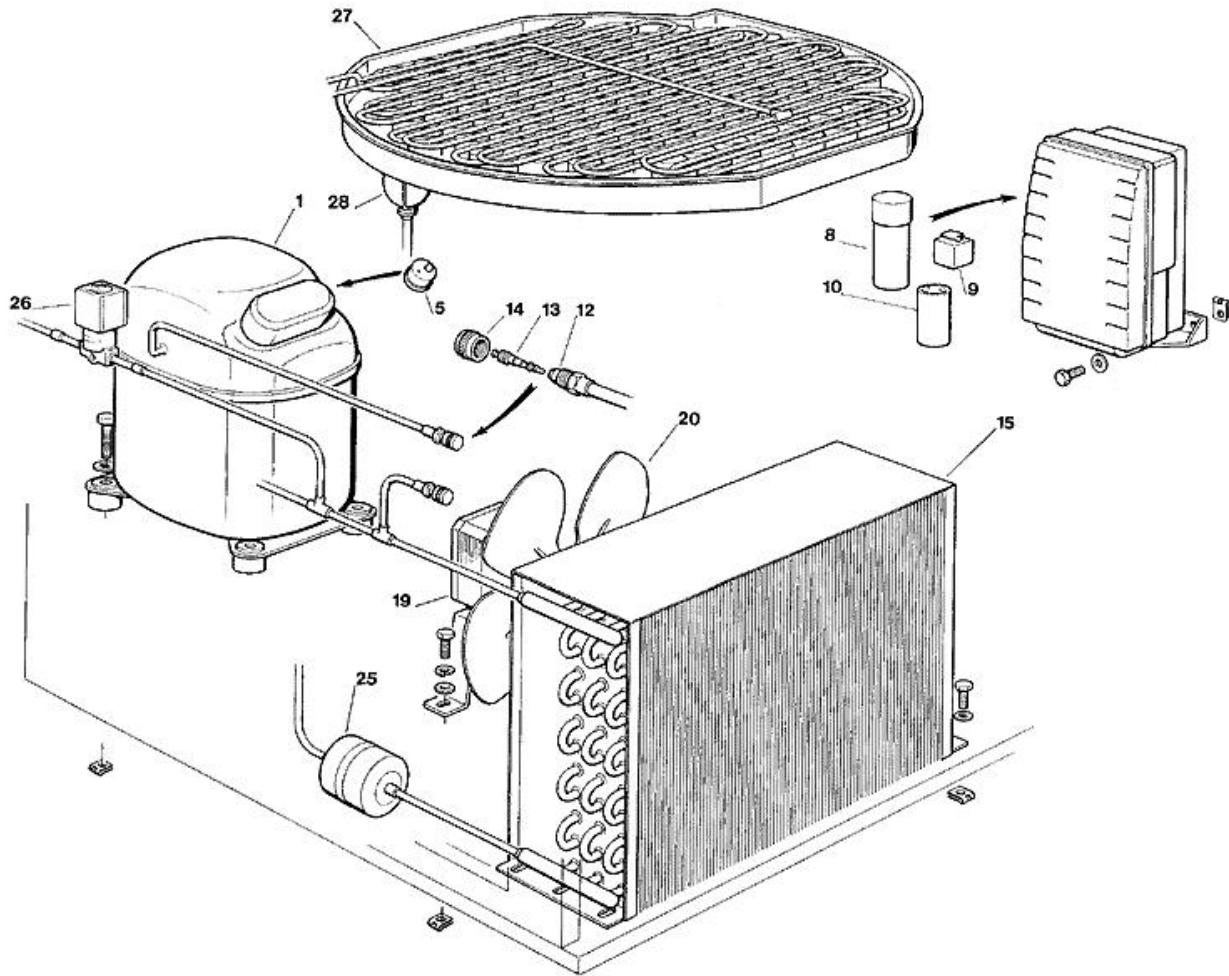


- 1 UNIT PANELS
- 2 REFRIGERANT SYSTEM AIR COOLED
- 3 REFRIGERANT SYSTEM WATER COOLED
- 4 WATER SYSTEM
- 5 WATER DRAIN SYSTEM
- 6 CONTROL BOX AND P.C. BOARD - UP TO S.N. 53261
- 7 CONTROL BOX AND P.C. BOARD ASSY - FROM S.N. 53262 TO S.N. 53919
- 8 CONTROL BOX AND P.C. BOARD ASSY - FROM S.N. 53920 TO S.N. 54462
- 9 P.C. BOARD AND SENSORS ASSY - FROM S.N. 54463 UP TO S.N. 55170
- 10 P.C. BOARD AND SENSORS ASSY - FROM S.N. 55171

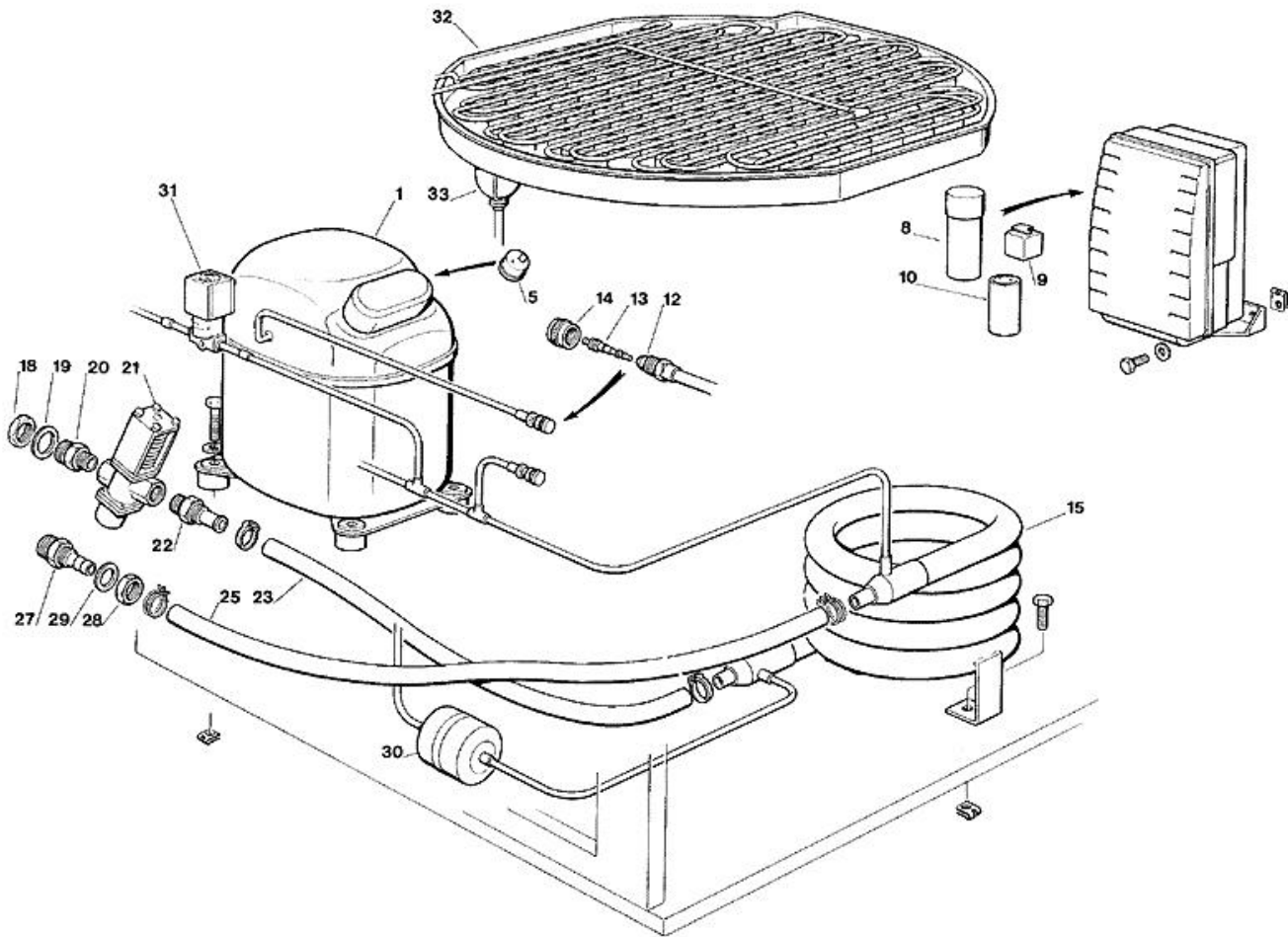


Pos	Code	Description
0001	781460 01	UNIT BASE
0002	782107 01R	INSULATED STORAGE BIN
0003	702447 00	SUPPORT, EVAPORATOR
0004	702450 00	BRACKET, FRONT SIDE
0005	702482 00	BRACKET, UPPER MIDDLE
0006	702454 00	BRACKET, REAR UPPER SIDE
0007	722236 00	PANEL, LEFT SIDE
0008	722215 00	PANEL, RIGHT SIDE
0009	722237 00	PANEL, FRONT - AIR COOLED
0009	722237 01	PANEL, FRONT - WATER COOLED
0010	722238 00	PANEL, FRONT RIGHT SIDE
0011	702432 00	PANEL, REAR LEFT SIDE
0012	702469 00	PANEL, REAR RIGHT SIDE
0013	702484 00	BRACKET, REAR
0014	781465 01R	TOP PANEL ASSY
0015	650952 01	INSULATION
0015	660866 01	PLASTIC COVER
0016	650806 00	THUMB SCREW
0017	660784 02	GUIDE, LEFT SIDE
0018	660879 01	GUIDE, LEFT SIDE
0019	660879 00	GUIDE, RIGHT SIDE
0020	660816 00	SHOCK ABSORBER
0021	660832 00	LEFT SIDE DOOR FRAME
0022	660846 00	DOOR FRAME, LEFT SIDE
0023	660832 01	RIGHT SIDE DOOR FRAME
0024	660833 00	BOTTOM DOOR FRAME
0025	660857 00	BIN DOOR FRAME BOTTOM LINER
0026	660785 00	UPPER DOOR FRAME
0026	724428 00	U SHAPE BRKT
0027	660785 02	DOOR FRAME, UPPER SIDE
0027	724428 01	U SHAPE BRKT
0028	660864 02	DOOR, LEFT SIDE
0029	722240 00	STRIPE, FRONT LEFT SIDE
0030	782108 00R	BIN DOOR ASSY
0031	660286 00	BUSHING
0032	660817 00	SLIDE, AIR FILTER
0033	660804 02	AIR FILTER SEAT
0034	660805 02	AIR FILTER
0035	660829 00	FRONT SWITCH PLASTIC PROTECTION
0036	650624 07	LABEL
0037	650850 00	SCOTSMAN LOGO
0038	650670 00	LEG KIT
0039	660767 01	SCOOP HOLDER
0040	650923 00	SCOOP
0041	660831 00	RUBBER BRACKET, SANITISING BAG

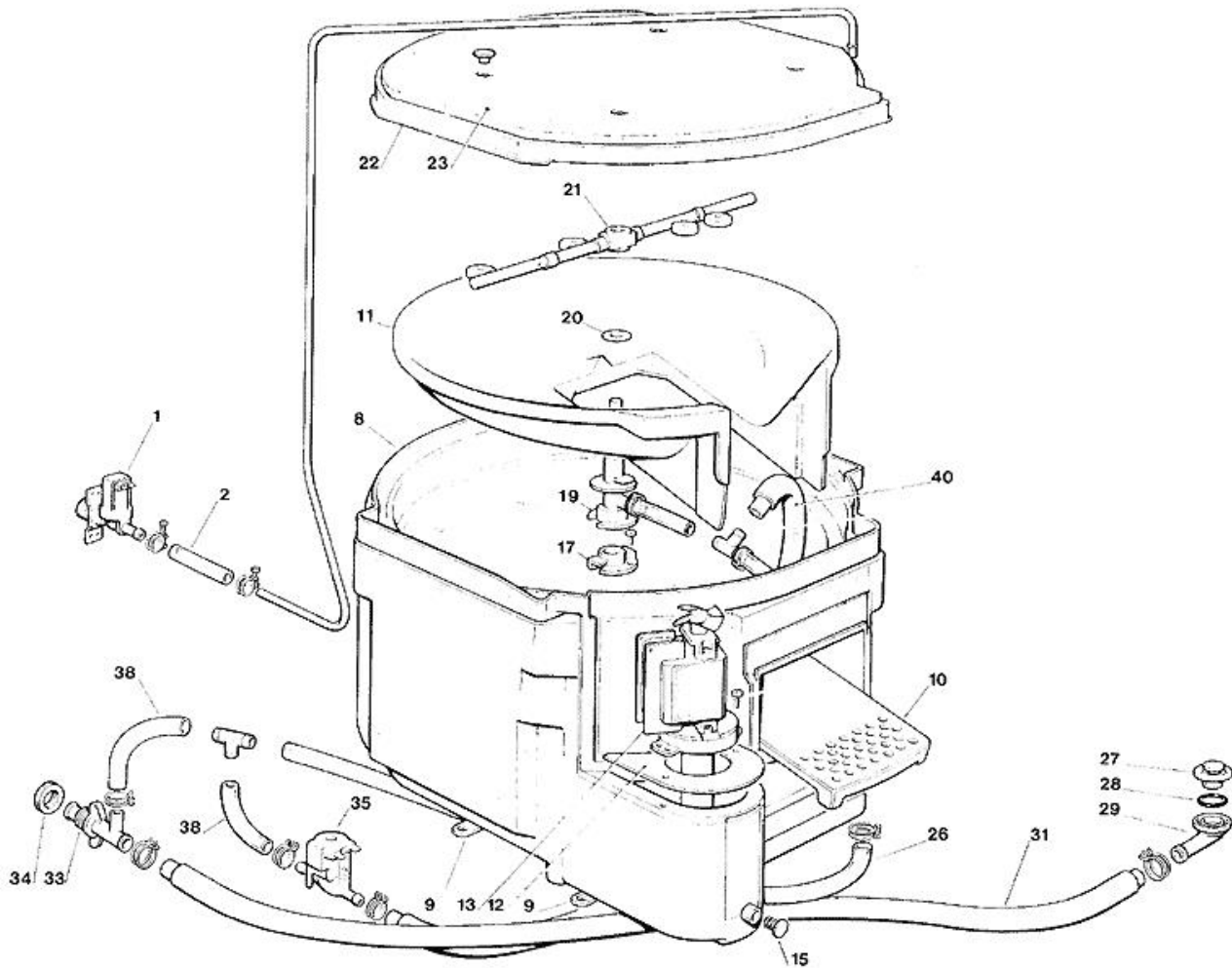
Pos	Code	Description
0042	650909 00	SANITISING BAG



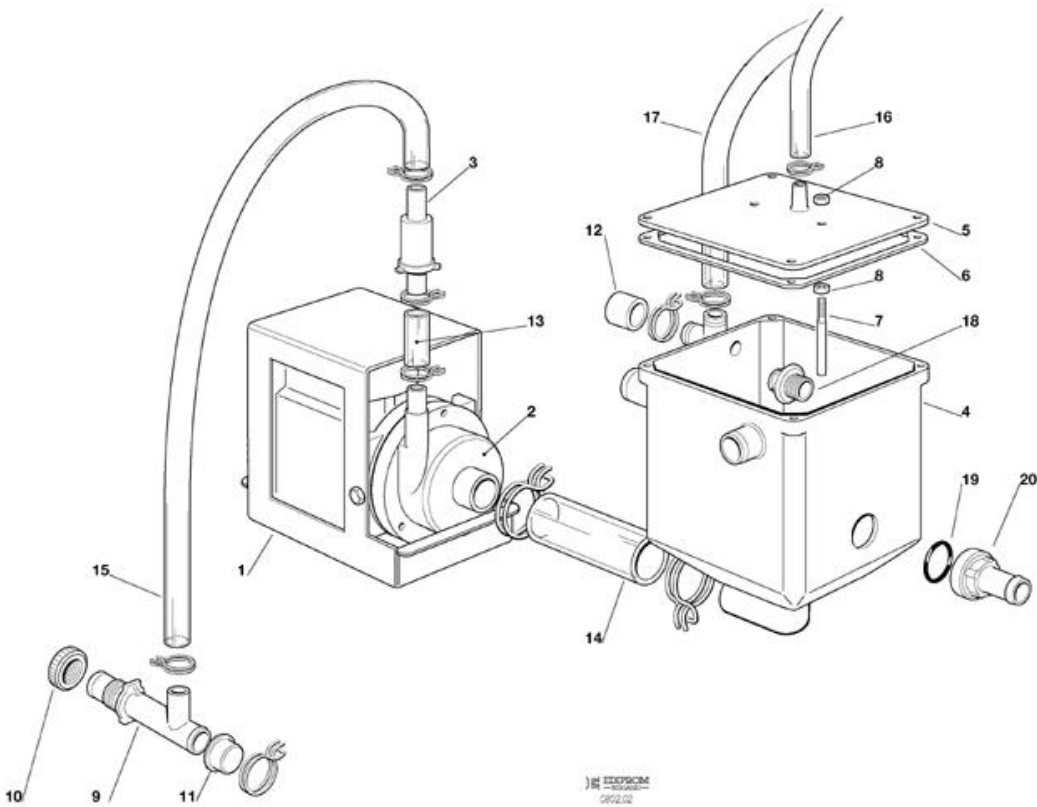
Pos	Code	Description
0001	670099 04	COMPRESSOR - 230/50/1
0001	670099 09	COMPRESSOR 230/60/1
0001	670099 14	COMPRESSOR - 115/60/1
0005	620058 53	PROTECTOR 115/60
0005	620058 78	PROTECTOR MST 000ALKD
0005	620058 81	PROTECTOR 230/60
0008	620167 19	RUN CAPACITOR - 30 MFD
0008	620167 21	CAPACITOR - 15 MFD/400V
0009	620057 46	RELAY - 230/50
0009	620057 50	RELAY - 230/60
0009	620168 20	RELAY - 115V
0010	620167 00	START CAPACITOR 88-108MFD/330V
0010	620167 01	START CAPACITOR 64-77 MFD/330V
0010	620167 41	START CAPACITOR 115/60
0012	650109 00	VALVE BODY
0013	670012 00	VALVE CORE
0014	650106 00	CAP
0015	620436 00	CONDENSER
0019	620419 04	FAN MOTOR - 230/50-60
0019	620419 05	FAN MOTOR - 115/60
0020	620419 34	FAN BLADE - 50HZ
0025	670006 01	FILTER
0026	620306 17	COIL - 115/60
0026	620306 46	HOT GAS VALVE BODY
0026	620306 48	COIL - 230/50-60
0027	784434 02	EVAPORATOR ASSY - LARGE
0027	784435 02	EVAPORATOR ASSY - MEDIUM
0027	784436 01	EVAPORATOR ASSY - SMALL
0028	784658 00	SUCTION LINE



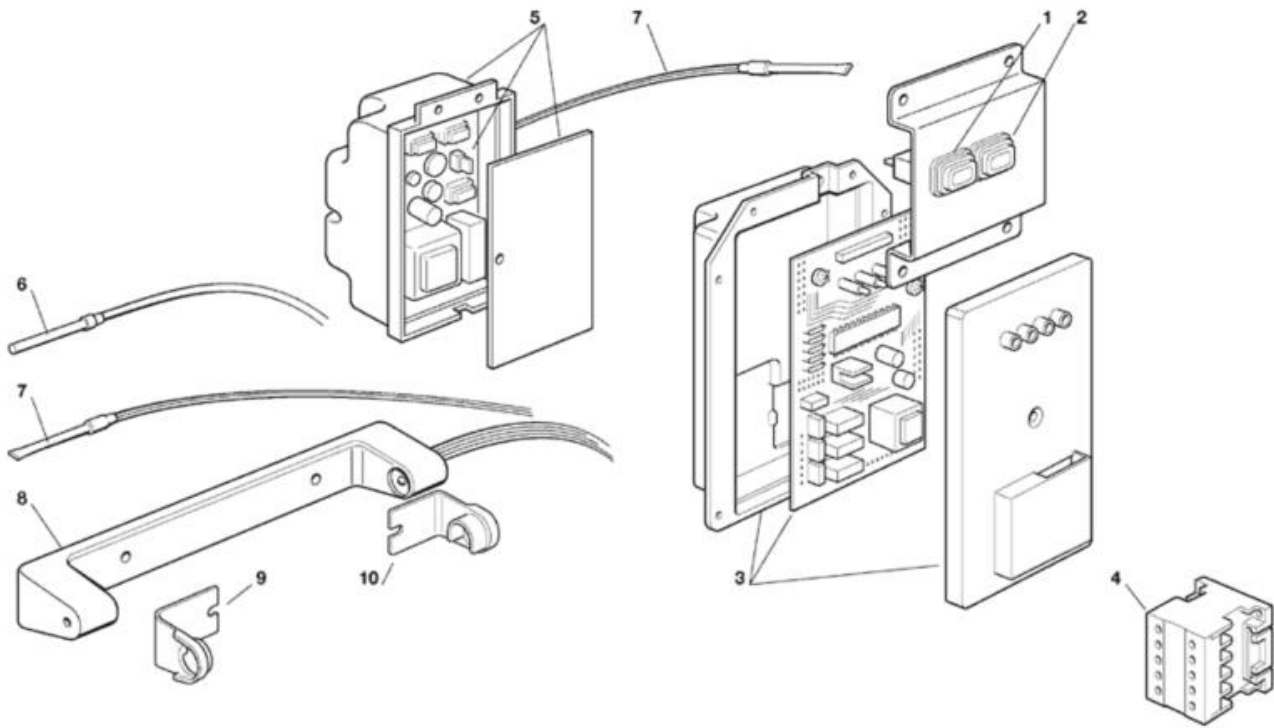
Pos	Code	Description
0001	670099 04	COMPRESSOR - 230/50/1
0001	670099 09	COMPRESSOR 230/60/1
0001	670099 14	COMPRESSOR - 115/60/1
0005	620058 53	PROTECTOR 115/60
0005	620058 78	PROTECTOR MST 000ALKD
0005	620058 81	PROTECTOR 230/60
0008	620167 19	RUN CAPACITOR - 30 MFD
0008	620167 21	CAPACITOR - 15 MFD/400V
0009	620057 46	RELAY - 230/50
0009	620057 50	RELAY - 230/60
0009	620168 20	RELAY - 115V
0010	620167 00	START CAPACITOR 88-108MFD/330V
0010	620167 01	START CAPACITOR 64-77 MFD/330V
0010	620167 41	START CAPACITOR 115/60
0012	650109 00	VALVE BODY
0013	670012 00	VALVE CORE
0014	650106 00	CAP
0015	620495 02	CONDENSER
0018	400053 00	NUT
0019	400031 01	WASHER
0020	733204 00	WATER INLET FITTING
0021	620111 00	WATER REGUL. VALVE
0022	733173 01	FITTING
0023	281900 03	TUBE 18X12
0025	281900 03	TUBE 18X12
0027	660291 00	TEE TUBE (D13)
0028	400030 01	NUT
0029	400031 00	WASHER
0030	670006 01	FILTER
0031	620306 17	COIL - 115/60
0031	620306 46	HOT GAS VALVE BODY
0031	620306 48	COIL - 230/50-60
0032	784434 02	EVAPORATOR ASSY - LARGE
0032	784435 02	EVAPORATOR ASSY - MEDIUM
0032	784436 01	EVAPORATOR ASSY - SMALL
0033	784658 00	SUCTION LINE



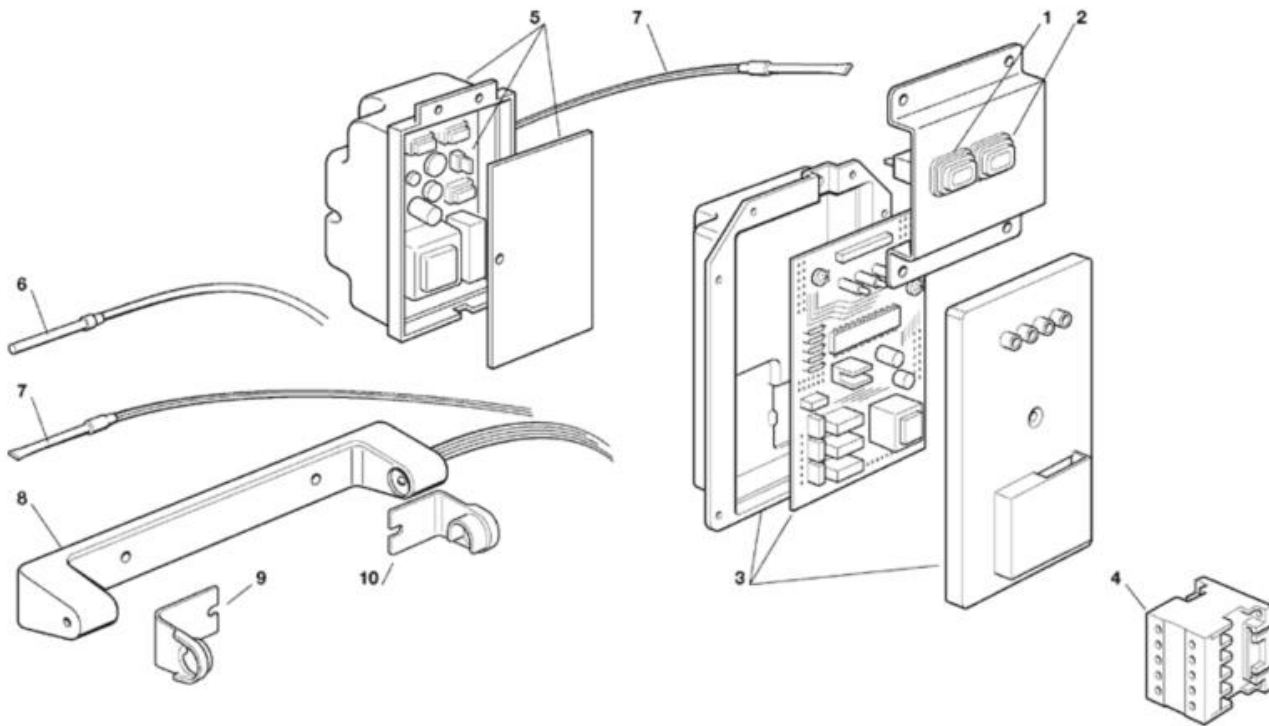
Pos	Code	Description
0001	650105 54	INLET VALVE - 230/50 - 60
0001	650105 56	WATER INLET VALVE - 115
0002	281900 04	TUBE
0008	784344 00R	SUMP & FREEZING CHAMBER
0009	660489 00	BRACKET
0010	660488 01	MOBILE INNER BOTTOM
0011	660487 01	INNER BOTTOM
0012	723132 04	METAL BRACKET
0013	620430 00	WATER PUMP 230/50
0013	620430 01	WATER PUMP 115/60
0013	620430 02	WATER PUMP 230/60
0015	650550 00	PLASTIC PLUG
0017	660483 00	PLASTIC FLANGE
0019	660475 00	BEARING
0020	440013 06	TRUST WASHER
0021	793127 00	SPRAY BAR
0022	660491 00	EVAPORATOR COVER
0023	650538 00	INSULATION
0026	610213 00	HOSE ASSY
0027	660211 01	DRAIN FILTER
0028	640134 00	O RING 4093
0029	660213 01	FITTING
0031	610148 10	TUBE
0033	660224 00	TEE TUBE
0034	660535 00	PLASTIC NUT
0035	620460 00	WATER DRAIN VALVE
0038	610213 00	HOSE ASSY
0040	610188 00	TUBE



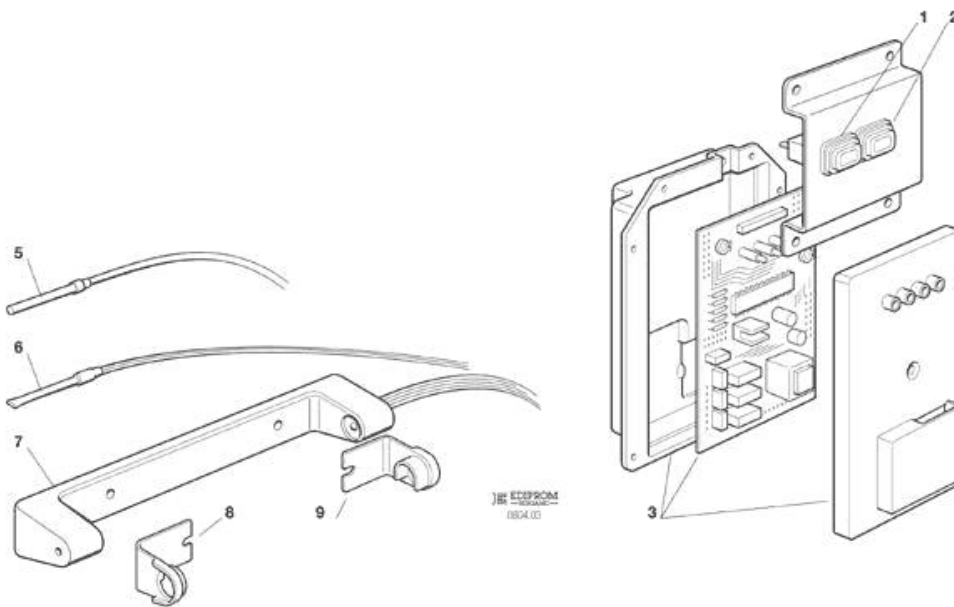
Pos	Code	Description
0001	620471 01	WATER PUMP 230/60
0001	702445 00	BRACKET
0002	620471 00	WATER PUMP ASSY - 230/50
0003	650811 00	VALVE
0004	660710 01	SUMP
0005	060602 01	SUMP COVER ASSY
0006	640140 00	GASKET
0007	724215 10	WATER LEVEL METAL PIN
0008	430031 00	NUT
0009	660224 00	TEE TUBE
0010	660535 00	PLASTIC NUT
0011	650173 01	PLASTIC CAP
0012	660570 00	PLASTIC CAP
0013	281830 09	TUBE
0014	610148 10	TUBE
0015	610171 02	TUBE
0016	281830 06	WATER DRAIN TUBE - PER METER
0017	610213 00	HOSE ASSY
0018	660211 01	DRAIN FILTER
0019	640134 00	O RING 4093
0020	660219 02	BIN DRAIN



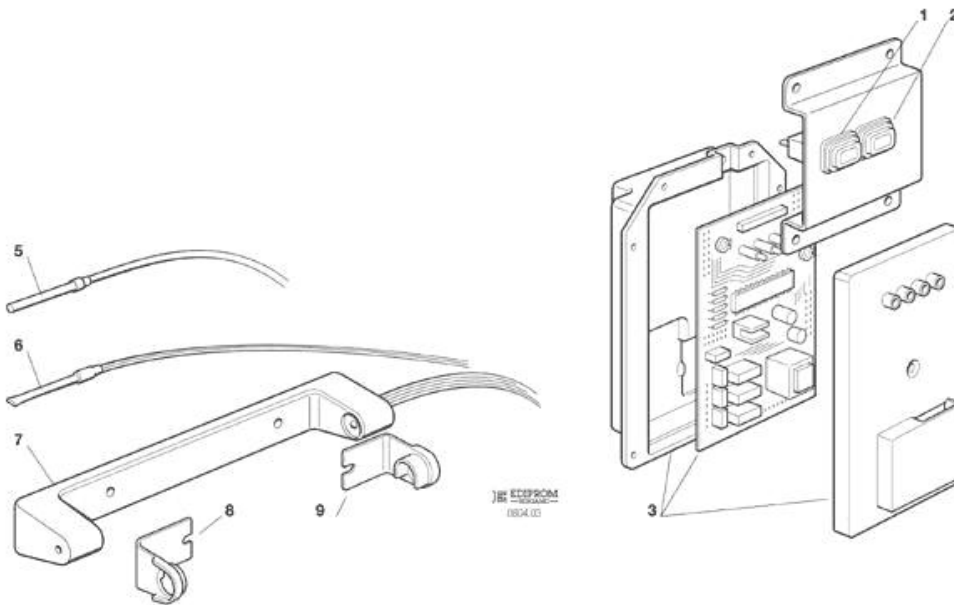
Pos	Code	Description
0001	060666 00	SWITCHES ASSY
0002	060666 00	SWITCHES ASSY
0003	060711 00	PC BOARD KIT
0003	620462 01	P. C. BOARD ASSY - 115/60/1
0004	630119 00	CONTACTOR
0004	630124 07	CONTACTOR - 115/60
0005	060711 30	PC BOARD ASSY - CLEANING REMIND - 230V
0005	620489 01	3 WIRES CABLE
0005	785104 03R	PC BOARD ASSY - CLEANING REMIND - 115V
0006	620404 10	EVAPORATOR SENSOR
0007	620404 11	CONDENSER SENSOR
0008	650674 00	ICE LEVEL CONTROL
0009	660720 00	PLASTIC COVER
0010	660720 01	PLASTIC COVER



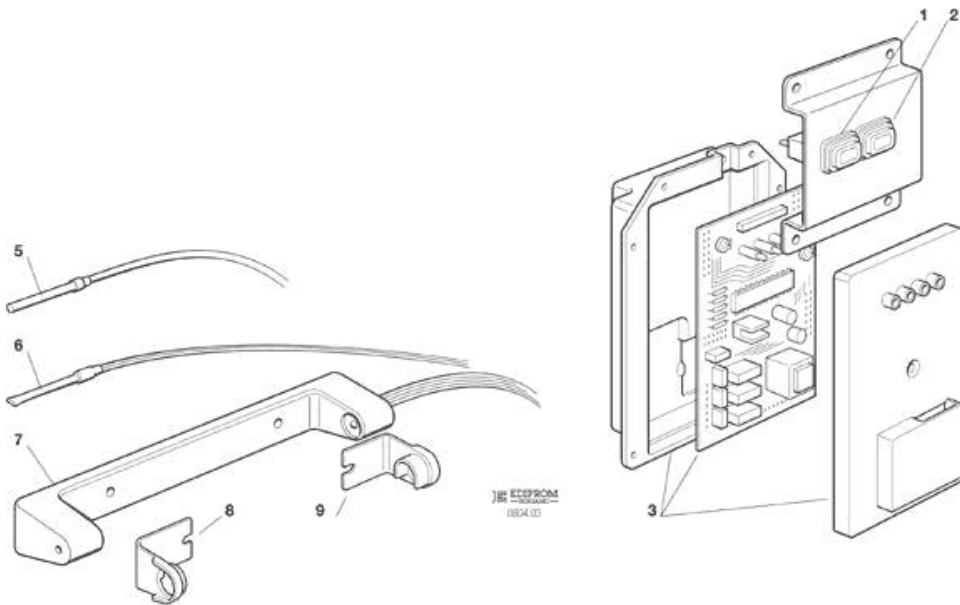
Pos	Code	Description
0001	620487 03	PUSH BUTTON SWITCH
0001	620487 04	PLASTIC PROTECTION
0001	620504 00	WARNING LIGHT
0002	620487 02	LIGHTED SWITCH
0002	620487 04	PLASTIC PROTECTION
0003	060711 00	PC BOARD KIT
0003	620462 01	P. C. BOARD ASSY - 115/60/1
0004	630119 00	CONTACTOR
0004	630124 07	CONTACTOR - 115/60
0005	060711 30	PC BOARD ASSY - CLEANING REMIND - 230V
0005	620489 01	3 WIRES CABLE
0005	785104 03R	PC BOARD ASSY - CLEANING REMIND - 115V
0006	620404 10	EVAPORATOR SENSOR
0007	620404 11	CONDENSER SENSOR
0008	650674 00	ICE LEVEL CONTROL
0009	660720 00	PLASTIC COVER
0010	660720 01	PLASTIC COVER



Pos	Code	Description
0001	620487 03	PUSH BUTTON SWITCH
0001	620487 04	PLASTIC PROTECTION
0001	620504 00	WARNING LIGHT
0002	620487 02	LIGHTED SWITCH
0002	620487 04	PLASTIC PROTECTION
0003	060711 00	PC BOARD KIT
0003	620489 01	3 WIRES CABLE
0005	620404 10	EVAPORATOR SENSOR
0006	620404 11	CONDENSER SENSOR
0007	650674 00	ICE LEVEL CONTROL
0008	660720 00	PLASTIC COVER
0009	660720 01	PLASTIC COVER



Pos	Code	Description
0001	620487 01	WARNING LIGHT - RESET BUTTON
0002	620487 00	MASTER LIGHTED SWITCH
0003	060711 00	PC BOARD KIT
0003	620489 01	3 WIRES CABLE
0005	620404 10	EVAPORATOR SENSOR
0006	620404 11	CONDENSER SENSOR
0007	650674 00	ICE LEVEL CONTROL
0008	660720 00	PLASTIC COVER
0009	660720 01	PLASTIC COVER



Pos	Code	Description
0001	620487 01	WARNING LIGHT - RESET BUTTON
0002	620487 00	MASTER LIGHTED SWITCH
0003	620462 11	PC BOARD
0003	620489 01	3 WIRES CABLE
0003	630015 15	FUSIBLE - T6.4A-250V
0005	620519 01	EVAPORATOR SENSOR
0006	620519 04	CONDENSER SENSOR
0007	650674 00	ICE LEVEL CONTROL
0008	660720 00	PLASTIC COVER
0009	660720 01	PLASTIC COVER