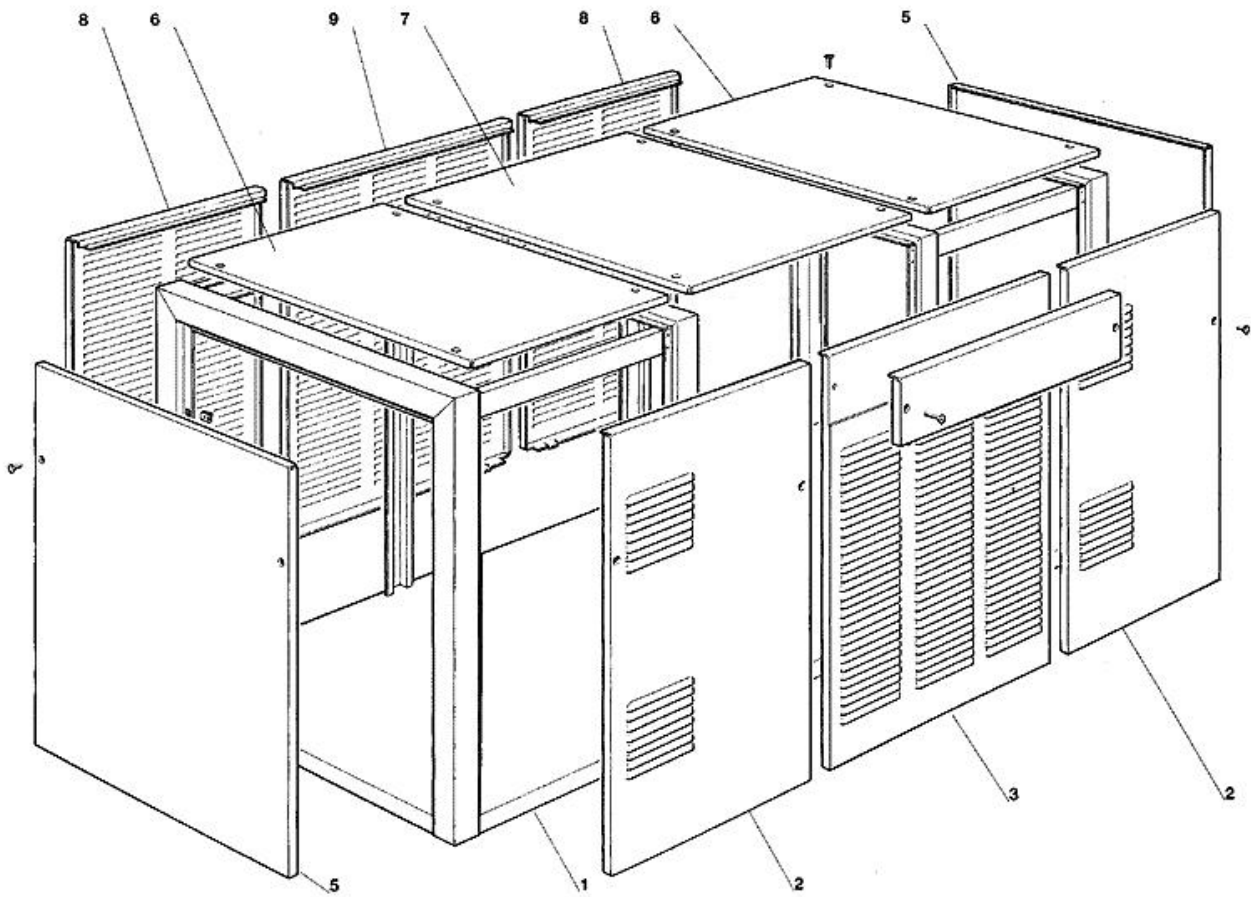
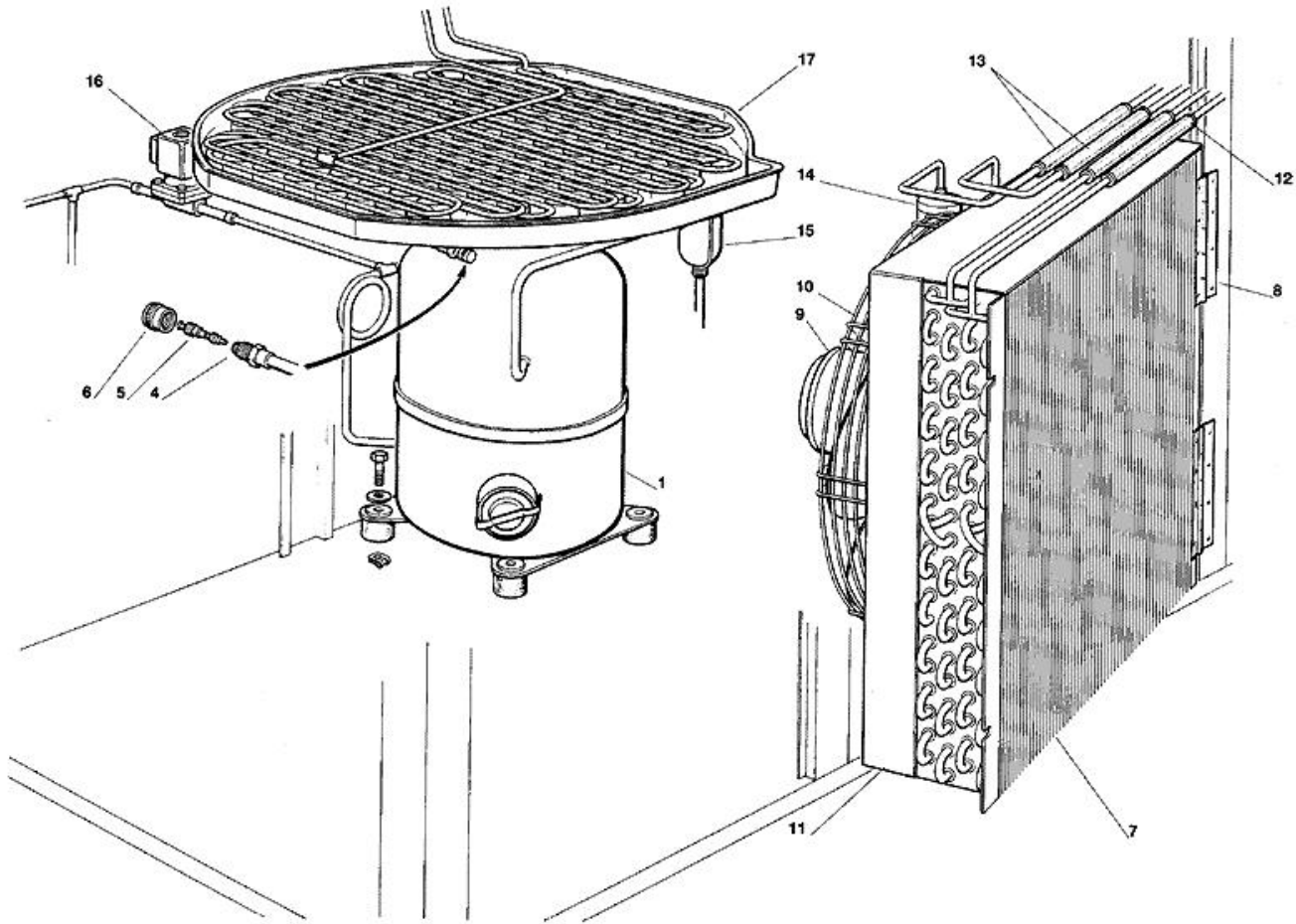


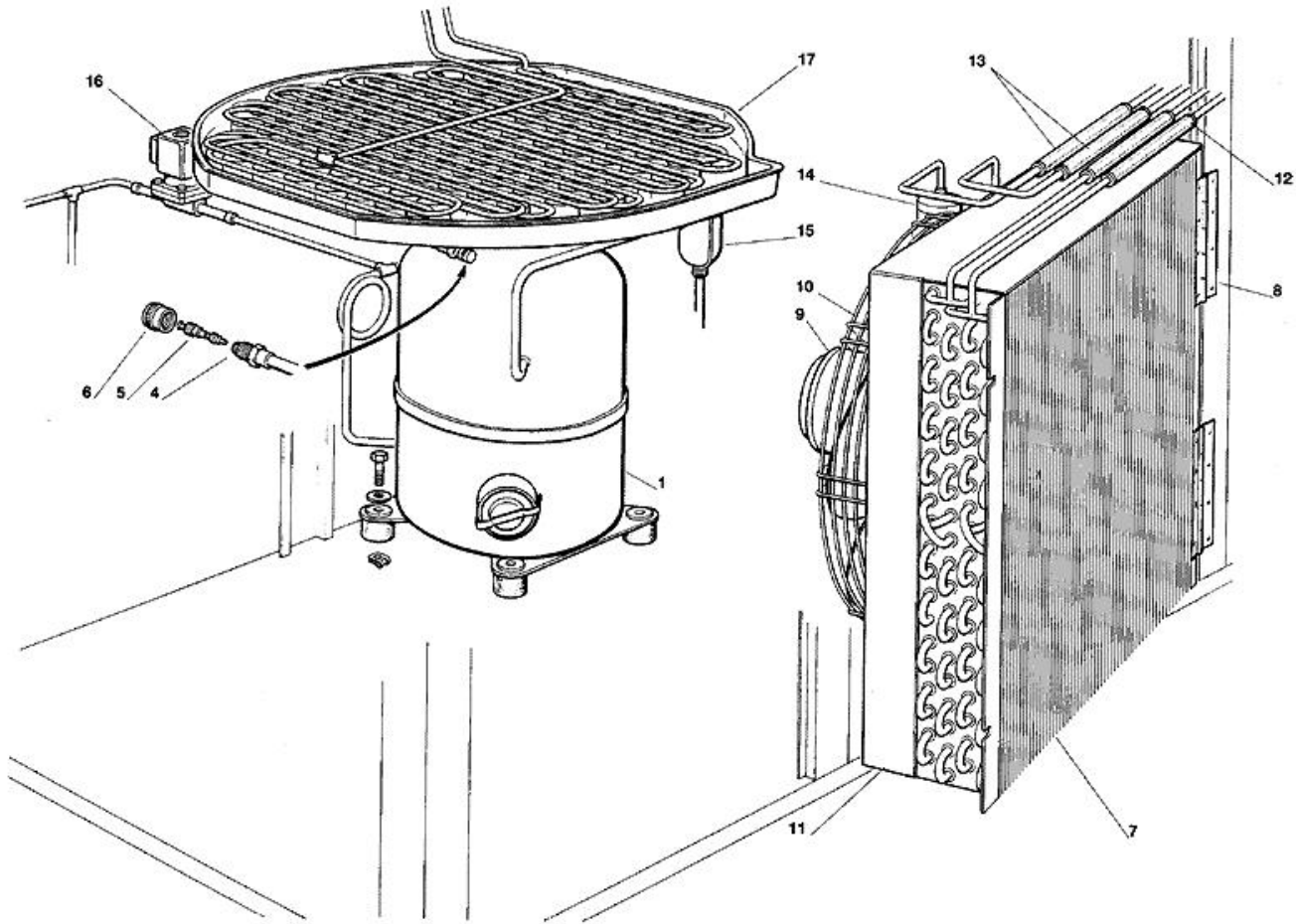
- 1 UNIT PANELS
- 2 REFRIGERANT SYSTEM AIR COOLED - UP TO S.N. 3665
- 3 REFRIGERANT SYSTEM AIR COOLED - FROM S.N. 3666
- 4 REFRIGERANT SYSTEM WATER COOLED - UP TO S.N. 3665
- 5 REFRIGERANT SYSTEM WATER COOLED - FROM S.N. 3666
- 6 WATER SYSTEM
- 7 P.C. BOARD AND SENSOR ASSY (up to S.N. 002971)
- 8 P.C. BOARD AND SENSORS ASSY - FROM S.N. 02972 UP TO S.N. 03941
- 9 P.C. BOARD AND SENSORS ASSY - FROM S.N. 03942



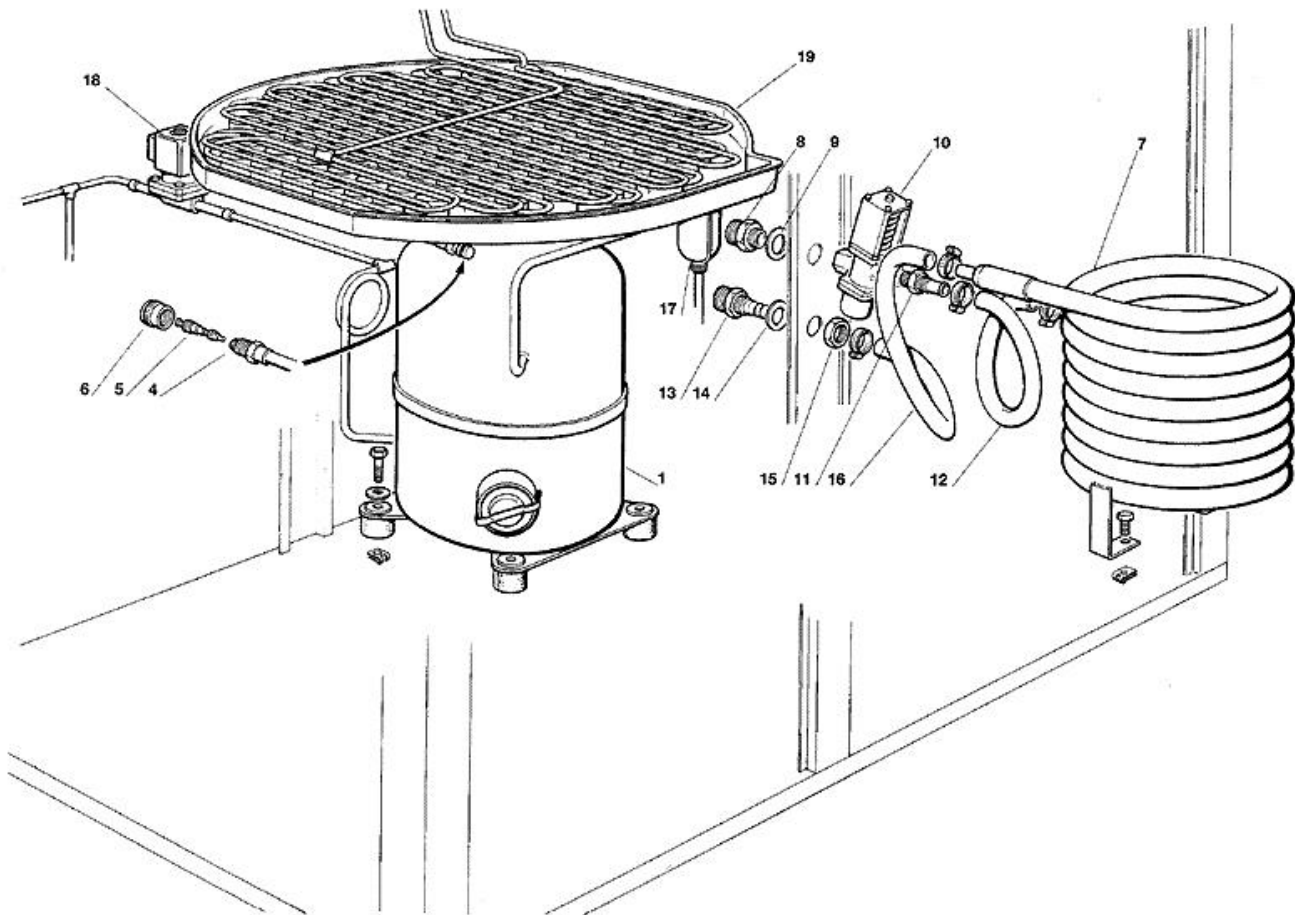
Pos	Code	Description
0001	784360 02R	UNIT FRAME
0002	702104 01	FRONT SIDE PANEL
0003	721664 01	CENTRAL FRONT PANEL
0005	702041 01	SIDE PANEL S.S.
0006	702102 01	TOP SIDE PANEL
0007	702102 03	TOP CENTRAL PANEL S.S.
0008	721665 00	REAR SIDE PANEL
0009	721666 00	REAR CENTRAL PANEL



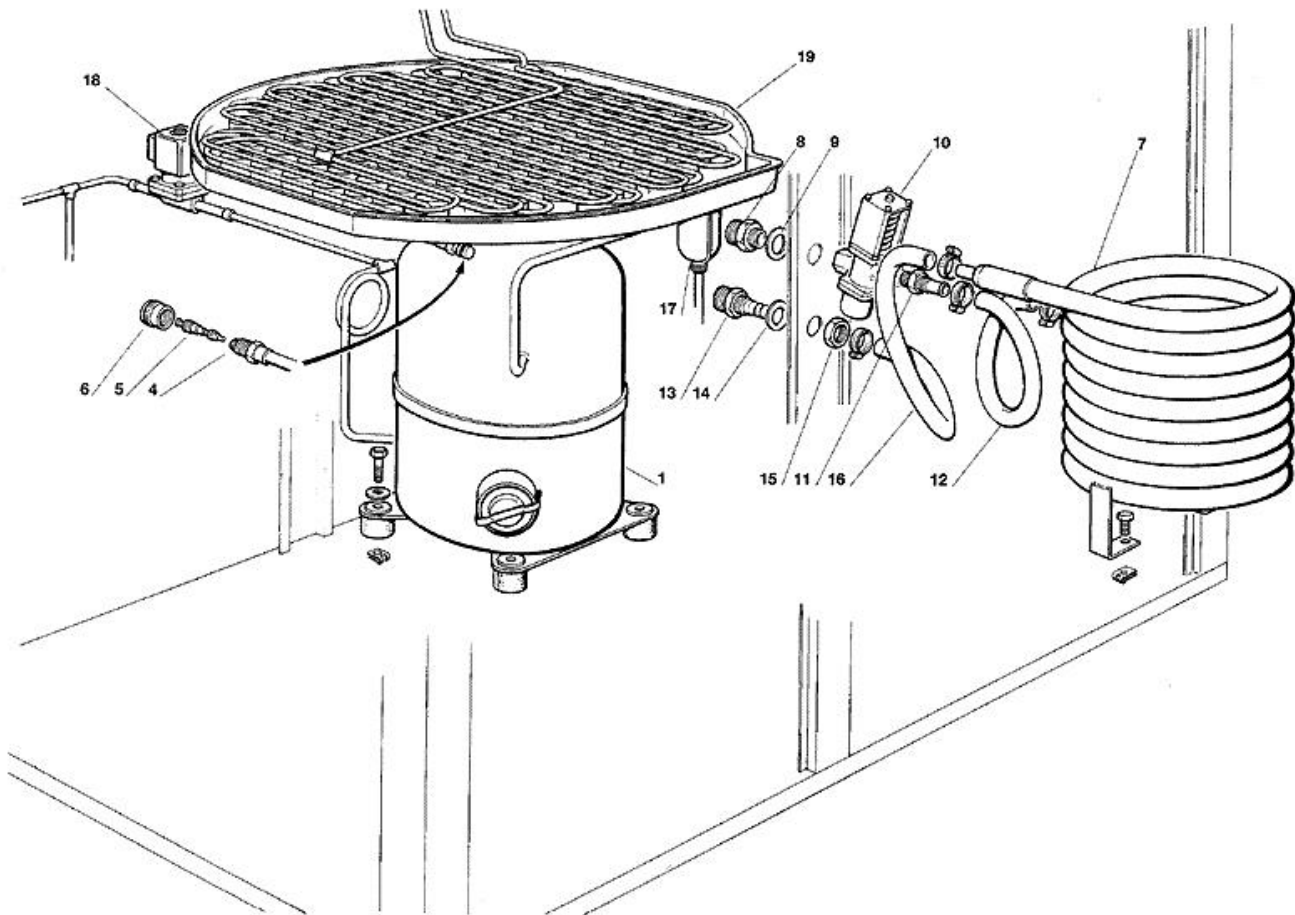
Pos	Code	Description
0001	670098 00	COMPRESSOR - 400/50/3
0001	670098 03	COMPRESSOR - 230/60/3
0004	650109 00	VALVE BODY
0005	670012 00	VALVE CORE
0006	650106 00	CAP
0007	620432 00	CONDENSER
0008	650163 01	CLASP
0009	620274 00	FAN BLADE
0009	620490 00	FAN MOTOR
0010	620338 00	FAN GRID
0011	702063 01	SHROUD
0012	650313 03	VIBRATION ABSORBER
0013	650313 03	VIBRATION ABSORBER
0014	670006 01	FILTER
0015	784440 00R	SUCTION LINE RIGHT
0015	784440 02R	SUCTION LINE LEFT
0016	620306 07	HOT GAS VALVE BODY
0016	620306 48	COIL - 230/50-60
0017	784434 02	EVAPORATOR ASSY - LARGE
0017	784435 02	EVAPORATOR ASSY - MEDIUM



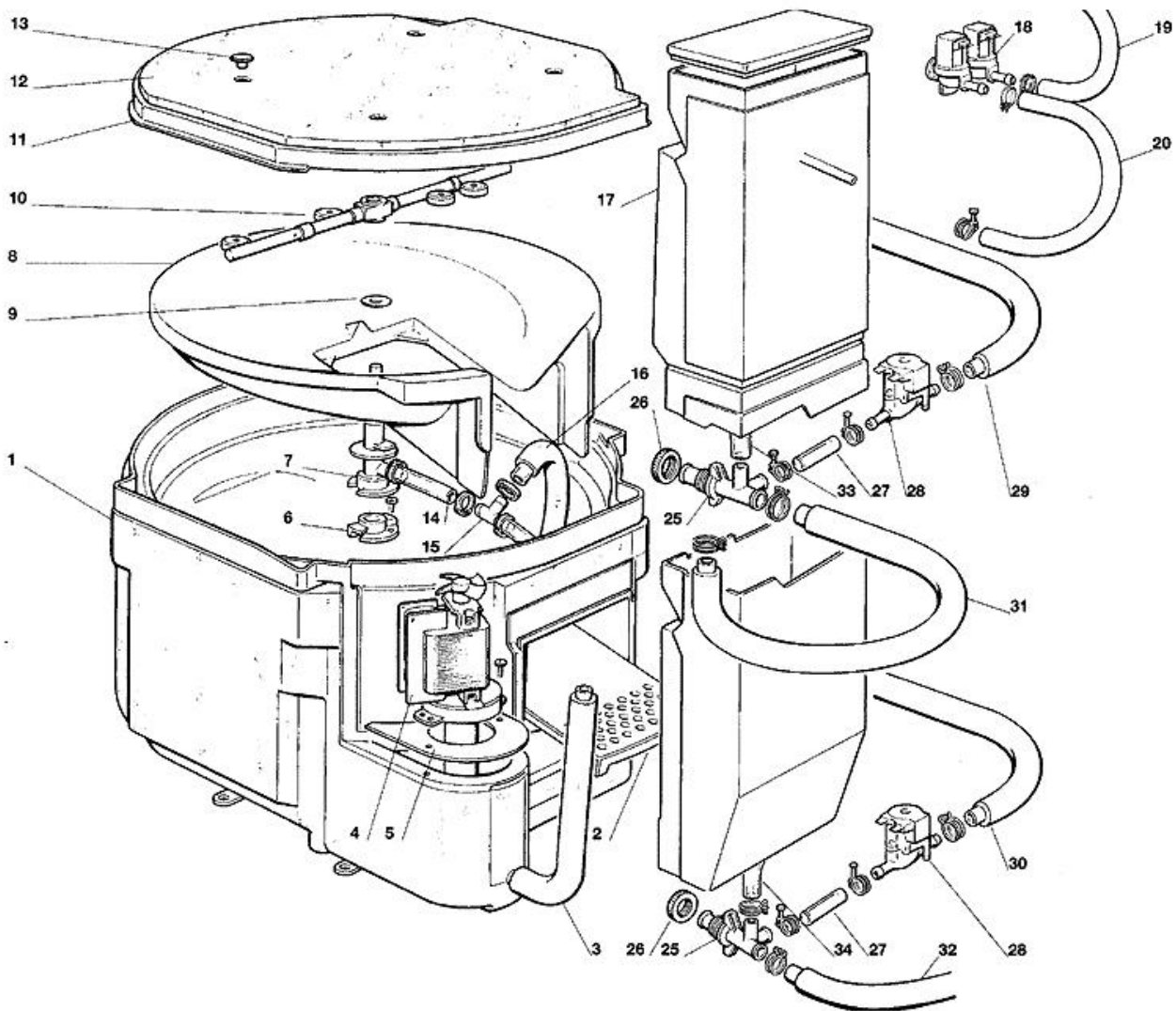
Pos	Code	Description
0001	18008749 24	COMPRESSOR - 230/60/3
0001	670098 00	COMPRESSOR - 400/50/3
0004	650109 00	VALVE BODY
0005	670012 00	VALVE CORE
0006	650106 00	CAP
0007	620432 00	CONDENSER
0008	650163 01	CLASP
0009	620274 00	FAN BLADE
0009	620490 00	FAN MOTOR
0010	620338 00	FAN GRID
0011	702063 01	SHROUD
0012	650313 03	VIBRATION ABSORBER
0013	650313 03	VIBRATION ABSORBER
0014	670006 01	FILTER
0015	784440 00R	SUCTION LINE RIGHT
0015	784440 02R	SUCTION LINE LEFT
0016	620306 07	HOT GAS VALVE BODY
0016	620306 48	COIL - 230/50-60
0017	784434 02	EVAPORATOR ASSY - LARGE
0017	784435 02	EVAPORATOR ASSY - MEDIUM



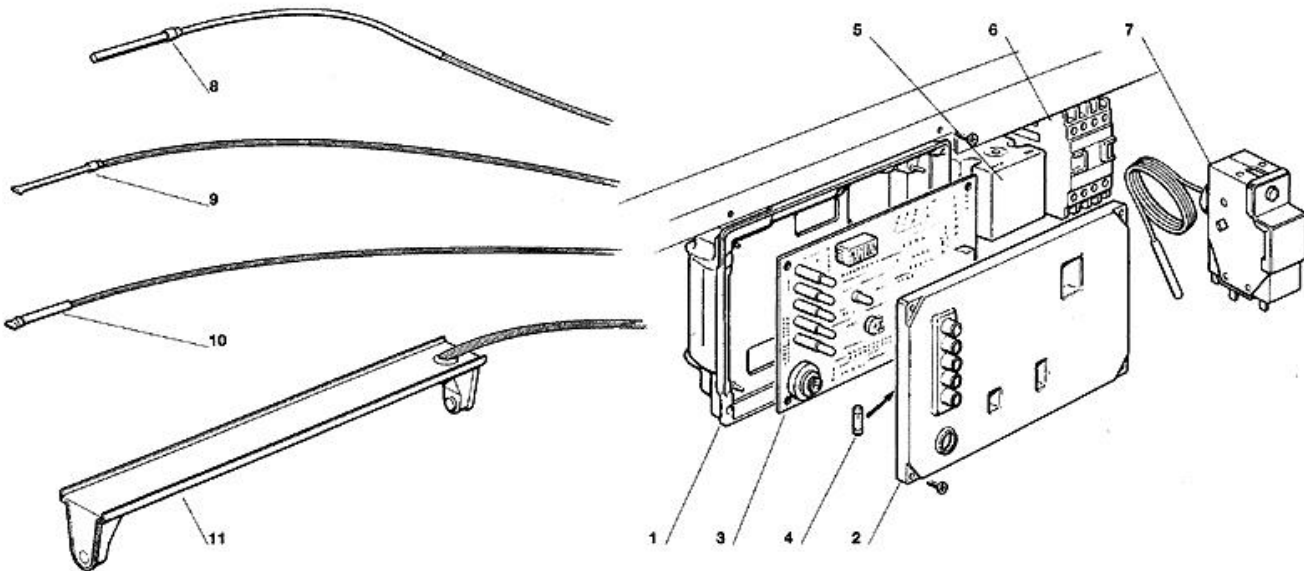
Pos	Code	Description
0001	670098 00	COMPRESSOR - 400/50/3
0001	670098 03	COMPRESSOR - 230/60/3
0004	650109 00	VALVE BODY
0005	670012 00	VALVE CORE
0006	650106 00	CAP
0007	620495 01	WATER COOLED CONDENSER
0008	733204 00	WATER INLET FITTING
0009	400031 01	WASHER
0010	620111 00	WATER REGUL. VALVE
0011	733173 01	FITTING
0012	281900 03	TUBE 18X12
0013	733174 00	FITTING
0014	400031 01	WASHER
0015	400076 00	NUT
0017	784440 00R	SUCTION LINE RIGHT
0017	784440 02R	SUCTION LINE LEFT
0018	620306 07	HOT GAS VALVE BODY
0018	620306 48	COIL - 230/50-60
0019	784434 02	EVAPORATOR ASSY - LARGE
0019	784435 02	EVAPORATOR ASSY - MEDIUM



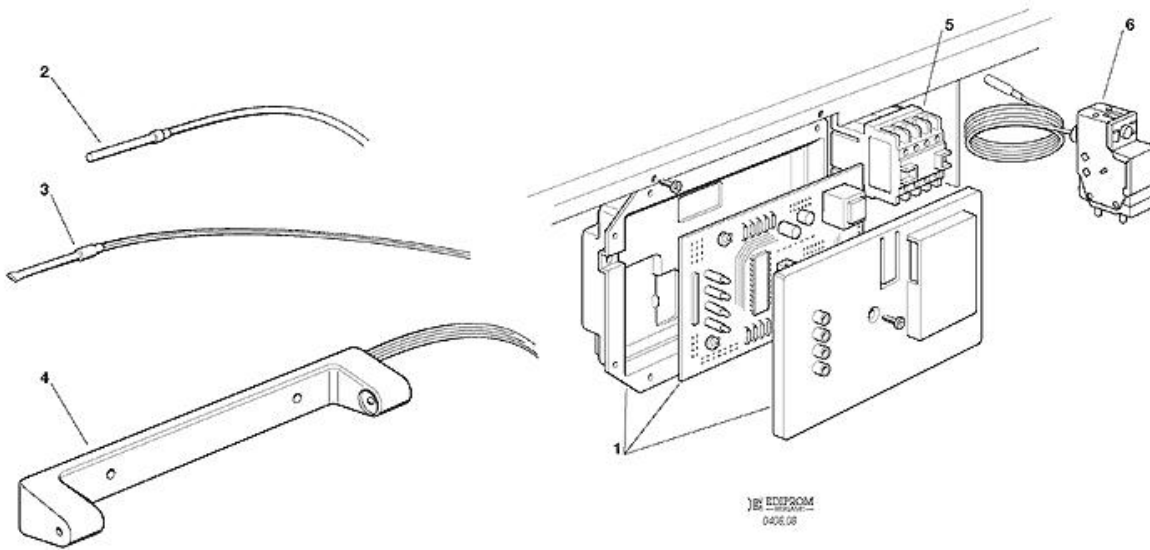
Pos	Code	Description
0001	18008749 24	COMPRESSOR - 230/60/3
0001	670098 00	COMPRESSOR - 400/50/3
0004	650109 00	VALVE BODY
0005	670012 00	VALVE CORE
0006	650106 00	CAP
0007	620495 01	WATER COOLED CONDENSER
0008	733204 00	WATER INLET FITTING
0009	400031 01	WASHER
0010	620111 00	WATER REGUL. VALVE
0011	733173 01	FITTING
0012	281900 03	TUBE 18X12
0013	733174 00	FITTING
0014	400031 01	WASHER
0015	400076 00	NUT
0017	784440 00R	SUCTION LINE RIGHT
0017	784440 02R	SUCTION LINE LEFT
0018	620306 07	HOT GAS VALVE BODY
0018	620306 48	COIL - 230/50-60
0019	784434 02	EVAPORATOR ASSY - LARGE
0019	784435 02	EVAPORATOR ASSY - MEDIUM



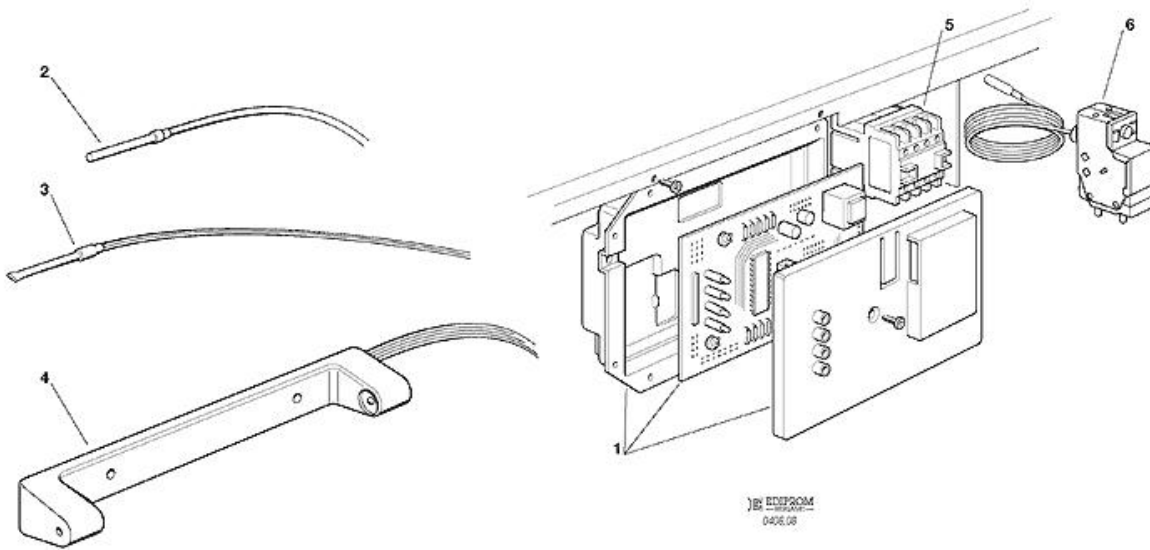
Pos	Code	Description
0001	784344 00R	SUMP & FREEZING CHAMBER
0002	660488 01	MOBILE INNER BOTTOM
0003	610148 10	TUBE
0004	620430 00	WATER PUMP 230/50
0004	620430 02	WATER PUMP 230/60
0005	723132 03	S.S. PUMP BRACKET
0006	660483 00	PLASTIC FLANGE
0007	660475 00	BEARING
0008	660487 01	INNER BOTTOM
0009	440013 06	TRUST WASHER
0010	793127 00	SPRAY BAR
0011	660491 00	EVAPORATOR COVER
0012	650538 00	INSULATION
0014	610188 00	TUBE
0015	610188 00	TUBE
0016	610148 10	TUBE
0017	660477 01	ICE CHUTE
0018	650105 53	WATER SOL. VALVE
0019	281900 01	TUBE 16X10
0020	281900 01	TUBE 16X10
0025	660224 00	TEE TUBE
0026	660535 00	PLASTIC NUT
0027	281830 06	WATER DRAIN TUBE - PER METER
0028	620460 00	WATER DRAIN VALVE
0029	281830 06	WATER DRAIN TUBE - PER METER
0030	281830 06	WATER DRAIN TUBE - PER METER
0031	610148 10	TUBE
0032	610148 10	TUBE



Pos	Code	Description
0001	CM 29070021	CONTROL BOX
0002	660547 01	CONTROL BOX COVER
0003	060711 00	PC BOARD KIT
0004	630015 09	FUSE 100MA 250V
0004	630015 10	FUSE 16A 250V
0005	620387 05	TIMER
0006	620428 02	RELAY
0006	630148 00	CONTACTOR
0007	620508 00	PRESSURE CONTROL
0008	620404 10	EVAPORATOR SENSOR
0009	620404 11	CONDENSER SENSOR
0010	620404 02	AMBIENT SENSOR
0011	650674 00	ICE LEVEL CONTROL



Pos	Code	Description
0001	060711 00	PC BOARD KIT
0002	620404 10	EVAPORATOR SENSOR
0003	620404 11	CONDENSER SENSOR
0004	650674 00	ICE LEVEL CONTROL
0005	620428 02	RELAY
0005	630148 00	CONTACTOR
0006	620508 00	PRESSURE CONTROL



Pos	Code	Description
0001	620462 11	PC BOARD
0001	630015 15	FUSIBLE - T6.4A-250V
0002	620519 01	EVAPORATOR SENSOR
0003	620519 04	CONDENSER SENSOR
0004	650674 00	ICE LEVEL CONTROL
0005	620428 02	RELAY
0005	630148 00	CONTACTOR
0006	620508 00	PRESSURE CONTROL