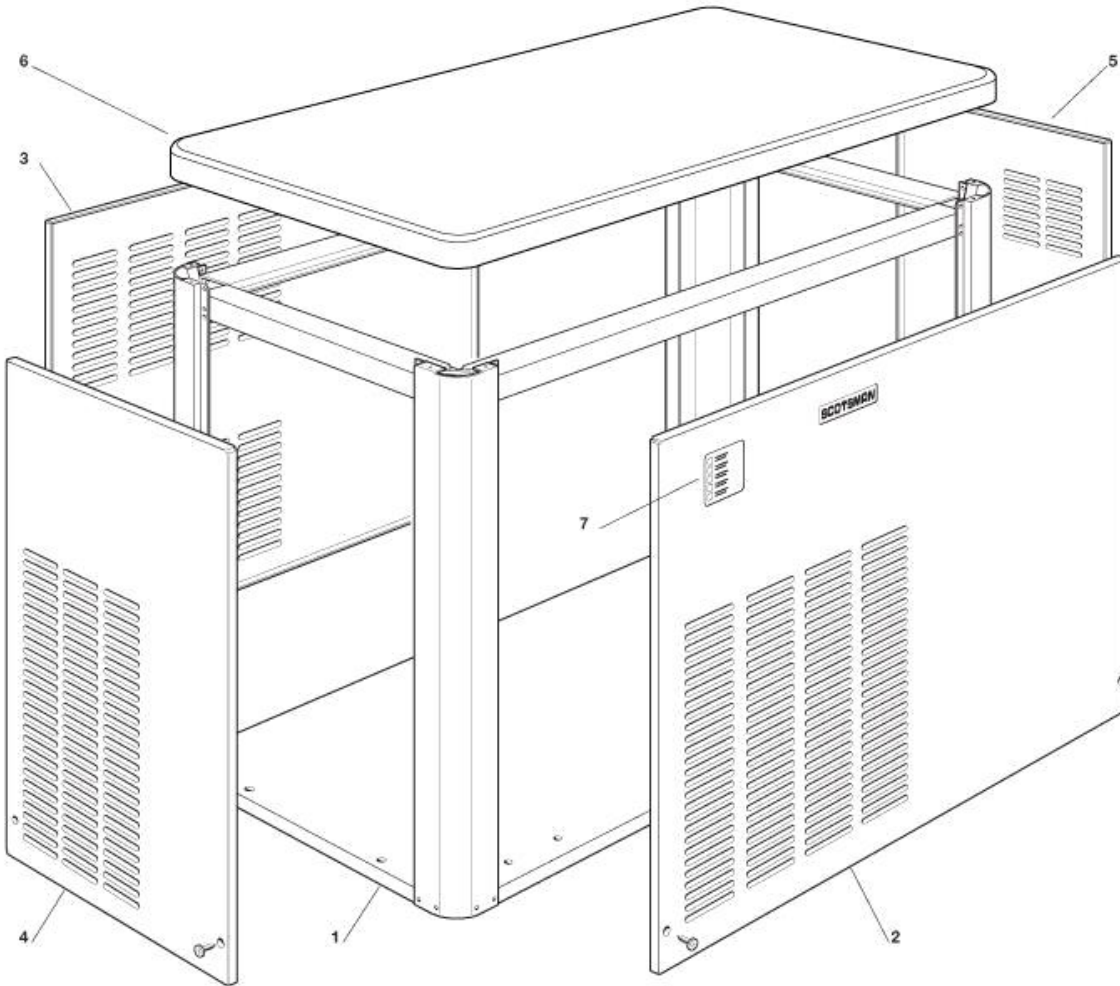
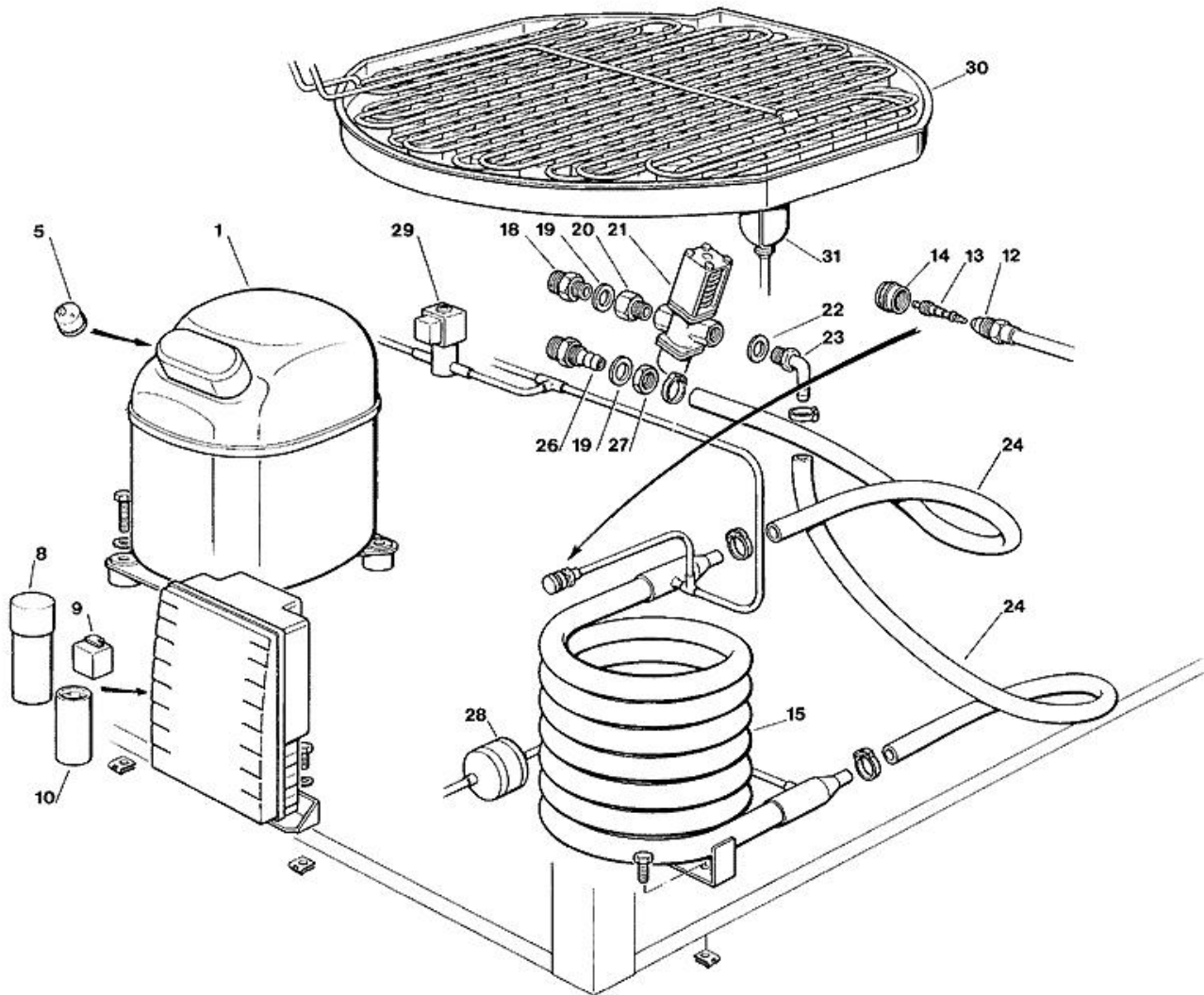


-
- 1 UNIT PANELS
 - 2 REFRIGERANT SYSTEM AIR COOLED
 - 3 REFRIGERANT SYSTEM WATER COOLED
 - 4 WATER SYSTEM
 - 5 P.C. BOARD AND SENSORS ASSY - UP TO S.N. 28849
 - 6 P.C. BOARD AND SENSORS ASSY - FROM S.N. 28850

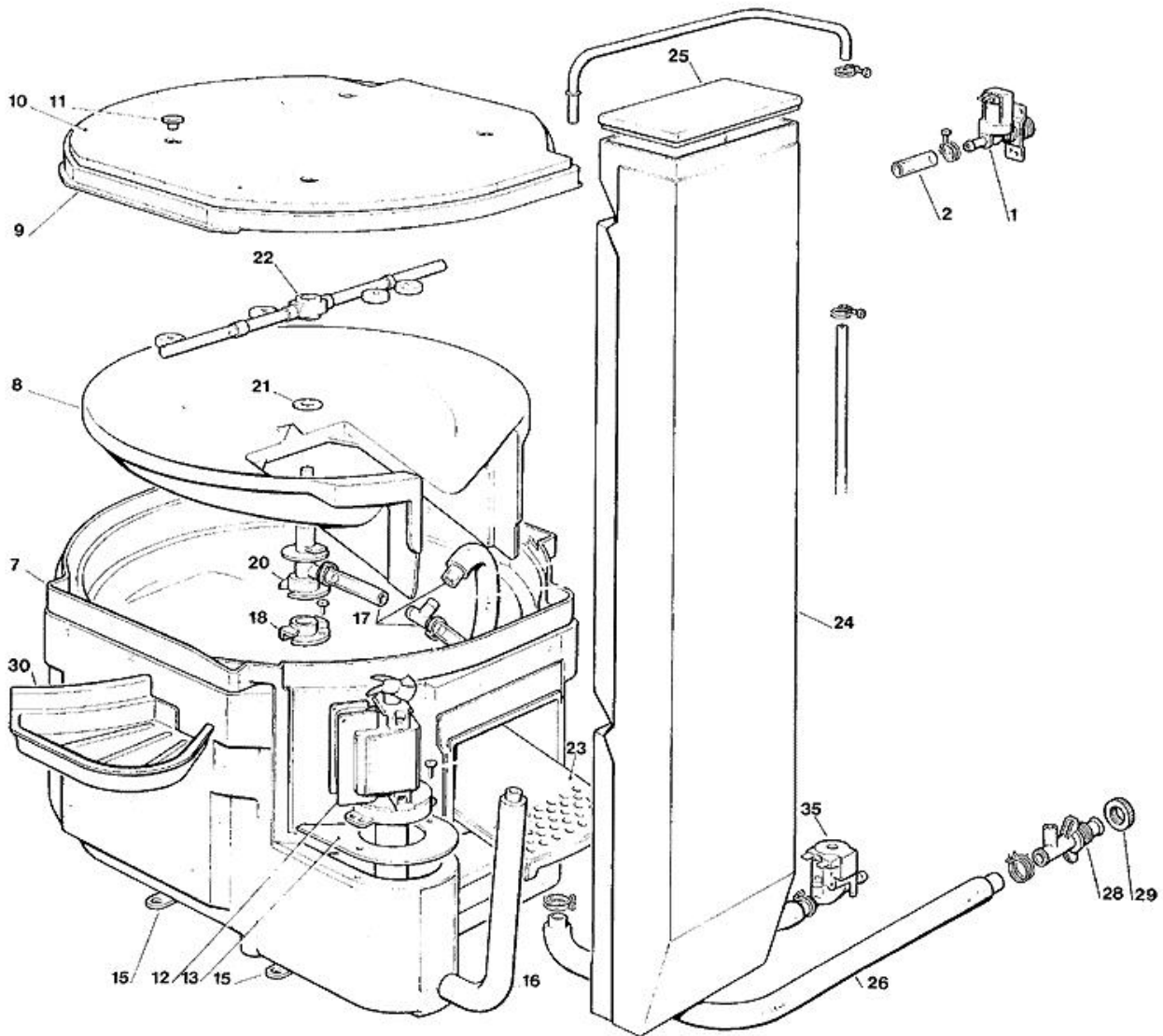


Pos	Code	Description
0001	791095 01R	FRAME ASSY
0002	721943 00	FRONT PANEL
0003	702439 00	REAR PANEL
0004	721942 00	LEFT SIDE PANEL
0005	721941 00	RIGHT SIDE PANEL
0006	660850 00	TOP PANEL
0007	650624 10	MONITORING LED ASSY

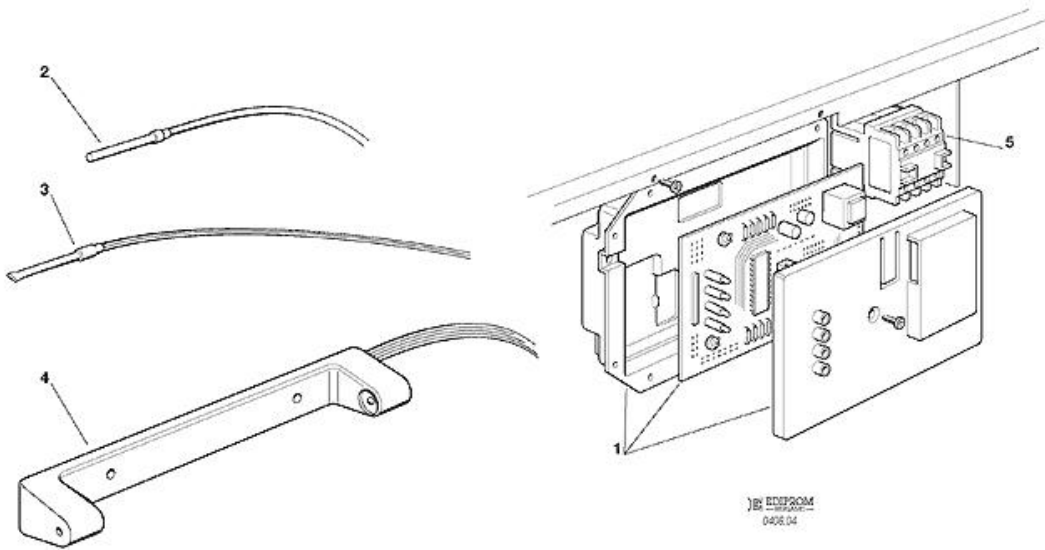
Pos	Code	Description
0001	18008749 22	COMPRESSOR 230/60
0001	670098 00	COMPRESSOR - 400/50/3
0001	670098 01	COMPRESSOR - 230/50/1
0008	18001902 55	CAPACITOR 230/60
0008	620167 54	CAPACITOR - 35 MFD/450V
0009	18001903 46	RELAY 230/60
0009	620057 43	RELAY - 230/50
0010	620167 48	CAPACITOR - 156 MFD/330V
0012	650109 00	VALVE BODY
0013	670012 00	VALVE CORE
0014	650106 00	CAP
0015	620437 00	AIR COOLED CONDENSER
0019	620419 04	FAN MOTOR - 230/50-60
0019	620419 65	FAN MOTOR BRACKET
0020	620419 34	FAN BLADE - 50HZ
0020	620419 35	FAN BLADE - 60HZ
0025	670006 01	FILTER
0026	620306 46	HOT GAS VALVE BODY
0026	620306 48	COIL - 230/50-60
0027	784434 02	EVAPORATOR ASSY - LARGE
0027	784435 02	EVAPORATOR ASSY - MEDIUM
0027	784436 01	EVAPORATOR ASSY - SMALL
0027	784597 00	EVAPORATOR XL
0028	784440 04	SUCTION LINE



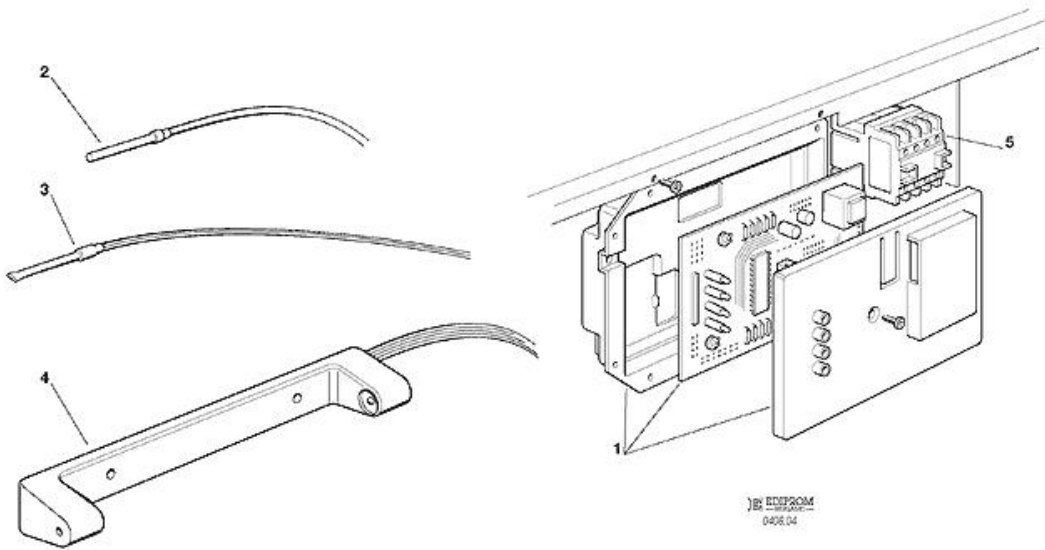
Pos	Code	Description
0001	18008749 22	COMPRESSOR 230/60
0001	670098 00	COMPRESSOR - 400/50/3
0001	670098 01	COMPRESSOR - 230/50/1
0008	18001902 55	CAPACITOR 230/60
0008	620167 54	CAPACITOR - 35 MFD/450V
0009	18001903 46	RELAY 230/60
0009	620057 43	RELAY - 230/50
0010	620167 48	CAPACITOR - 156 MFD/330V
0012	650109 00	VALVE BODY
0013	670012 00	VALVE CORE
0014	650106 00	CAP
0015	620495 01	WATER COOLED CONDENSER
0018	733204 00	WATER INLET FITTING
0019	400031 01	WASHER
0020	650575 00	FITTING
0021	620111 00	WATER REGUL. VALVE
0023	733208 02	COUPLING
0024	281900 03	TUBE 18X12
0026	733174 00	FITTING
0027	400076 00	NUT
0028	670006 01	FILTER
0029	620306 46	HOT GAS VALVE BODY
0029	620306 48	COIL - 230/50-60
0030	784434 02	EVAPORATOR ASSY - LARGE
0030	784435 02	EVAPORATOR ASSY - MEDIUM
0030	784436 01	EVAPORATOR ASSY - SMALL
0030	784597 00	EVAPORATOR XL
0031	784440 04	SUCTION LINE



Pos	Code	Description
0001	650105 53	WATER SOL. VALVE
0001	650105 57	WATER INLET VALVE XL
0002	281900 04	TUBE
0007	784344 00R	SUMP & FREEZING CHAMBER
0008	660487 01	INNER BOTTOM
0009	660491 00	EVAPORATOR COVER
0010	650538 00	INSULATION
0011	660419 00	PLASTIC PLUG
0012	620430 00	WATER PUMP 230/50
0012	620430 02	WATER PUMP 230/60
0013	723132 03	S.S. PUMP BRACKET
0015	660489 00	BRACKET
0016	610148 10	TUBE
0017	610188 00	TUBE
0018	660483 00	PLASTIC FLANGE
0020	660475 00	BEARING
0021	440013 06	TRUST WASHER
0022	793127 00	SPRAY BAR
0023	660488 01	MOBILE INNER BOTTOM
0024	660477 01	ICE CHUTE
0025	660477 02	CHUTE COVER
0026	610167 00	TUBE
0028	660224 00	TEE TUBE
0029	660535 00	PLASTIC NUT
0030	660538 00	CARTER PUMP
0035	620460 00	WATER DRAIN VALVE



Pos	Code	Description
0001	060711 00	PC BOARD KIT
0002	620404 10	EVAPORATOR SENSOR
0003	620404 11	CONDENSER SENSOR
0004	650674 00	ICE LEVEL CONTROL
0005	620513 01	THERMAL RELAY - 400V
0005	630148 00	CONTACTOR



Pos	Code	Description
0001	620462 11	PC BOARD
0001	630015 15	FUSIBLE - T6.4A-250V
0002	620519 01	EVAPORATOR SENSOR
0003	620519 04	CONDENSER SENSOR
0004	650674 00	ICE LEVEL CONTROL
0005	620513 01	THERMAL RELAY - 400V
0005	630148 00	CONTACTOR