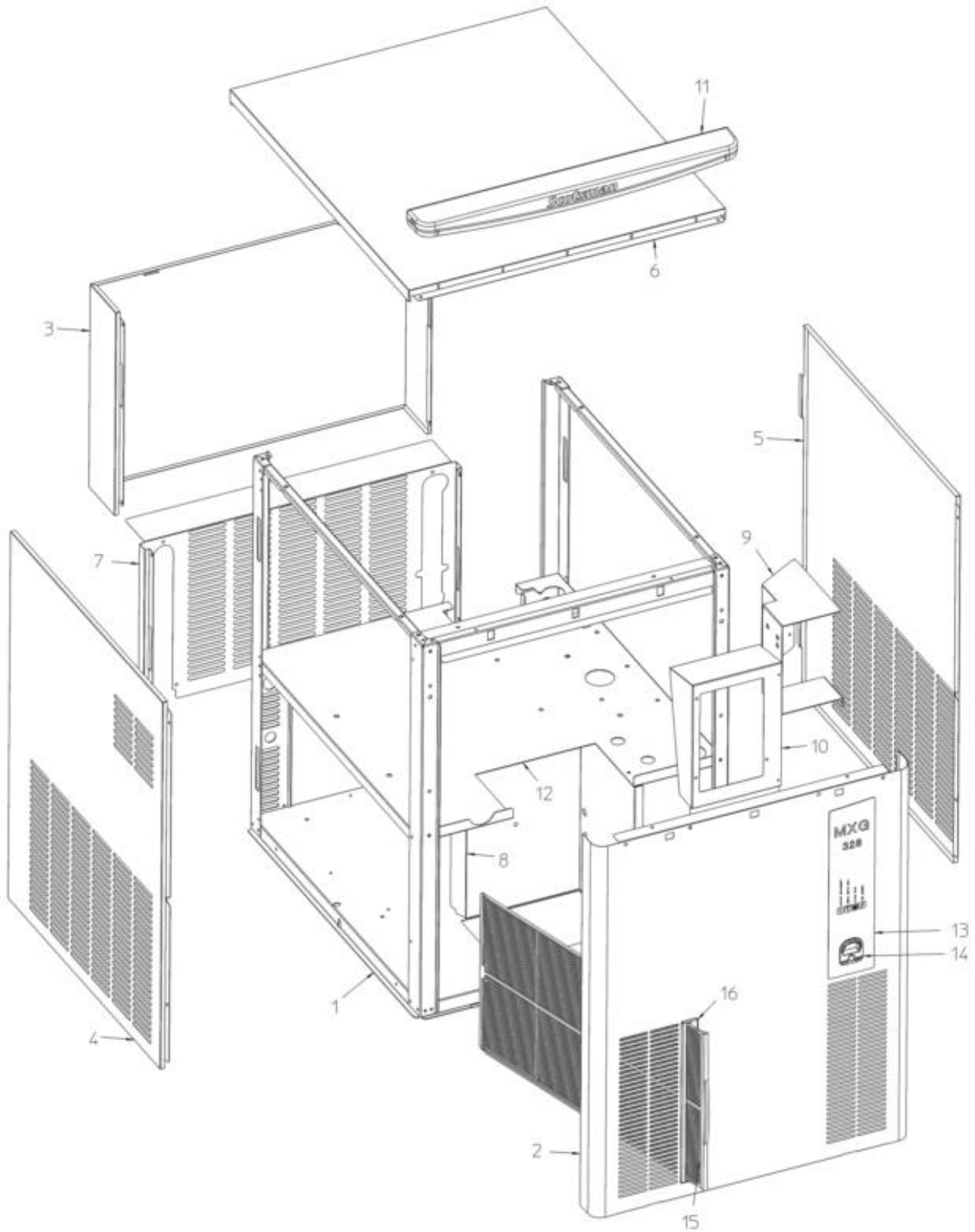
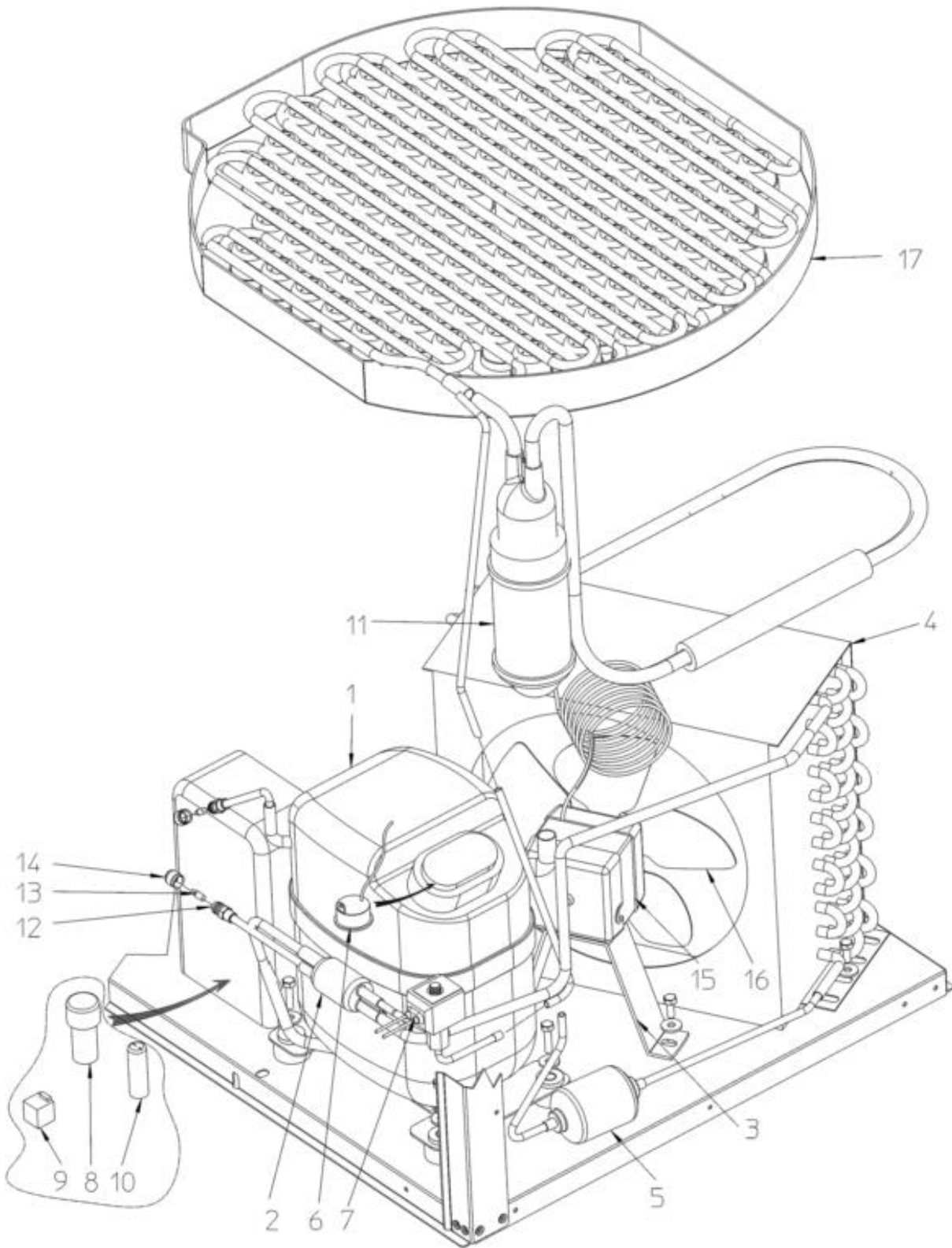


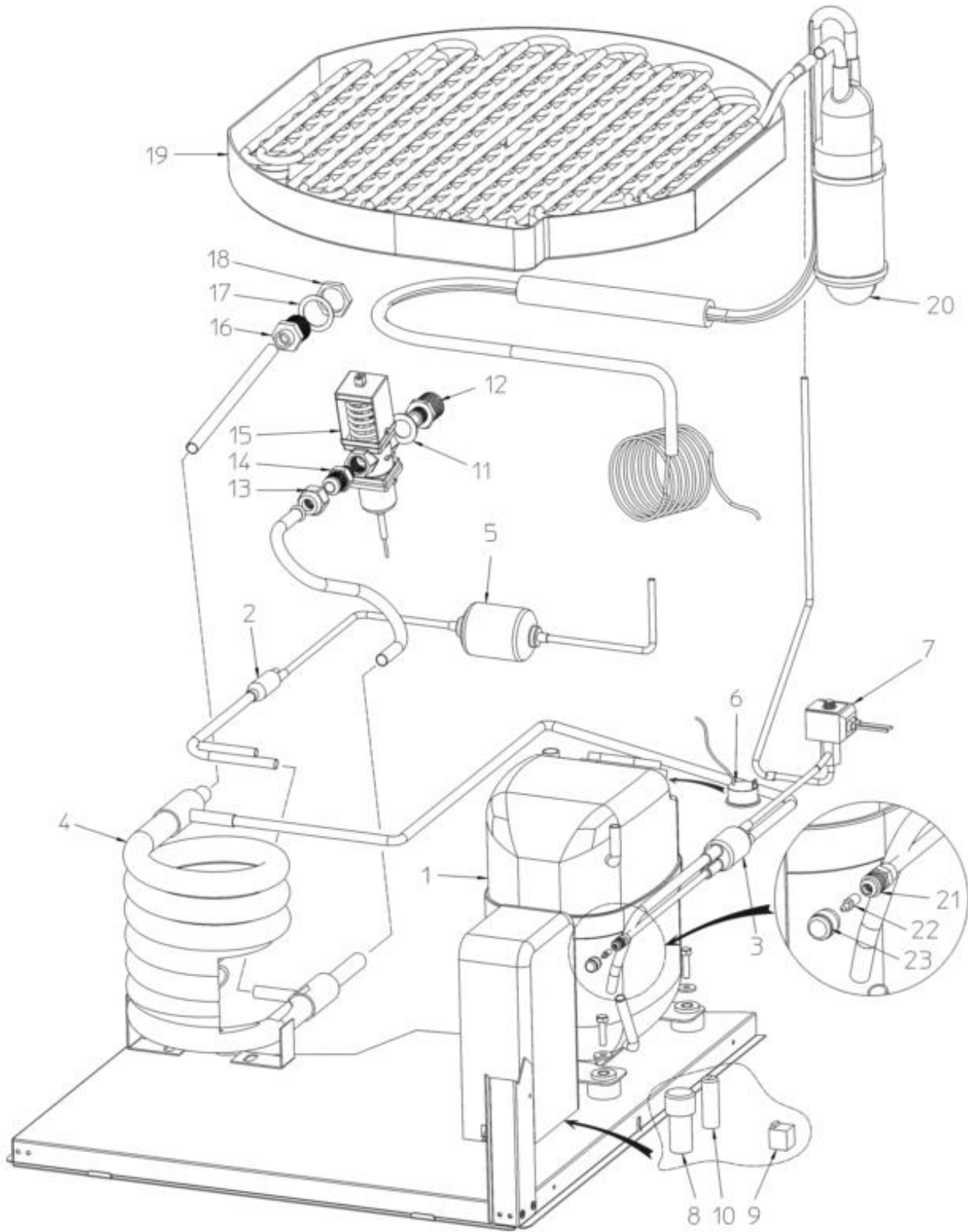
-
- 1 UNIT PANELS
 - 2 REFRIGERANT SYSTEM AIR COOL
 - 3 REFRIGERANT SYSTEM WATER COOLED
 - 4 WATER SYSTEM
 - 5 P.C. BOARD AND SENSORS ASSY



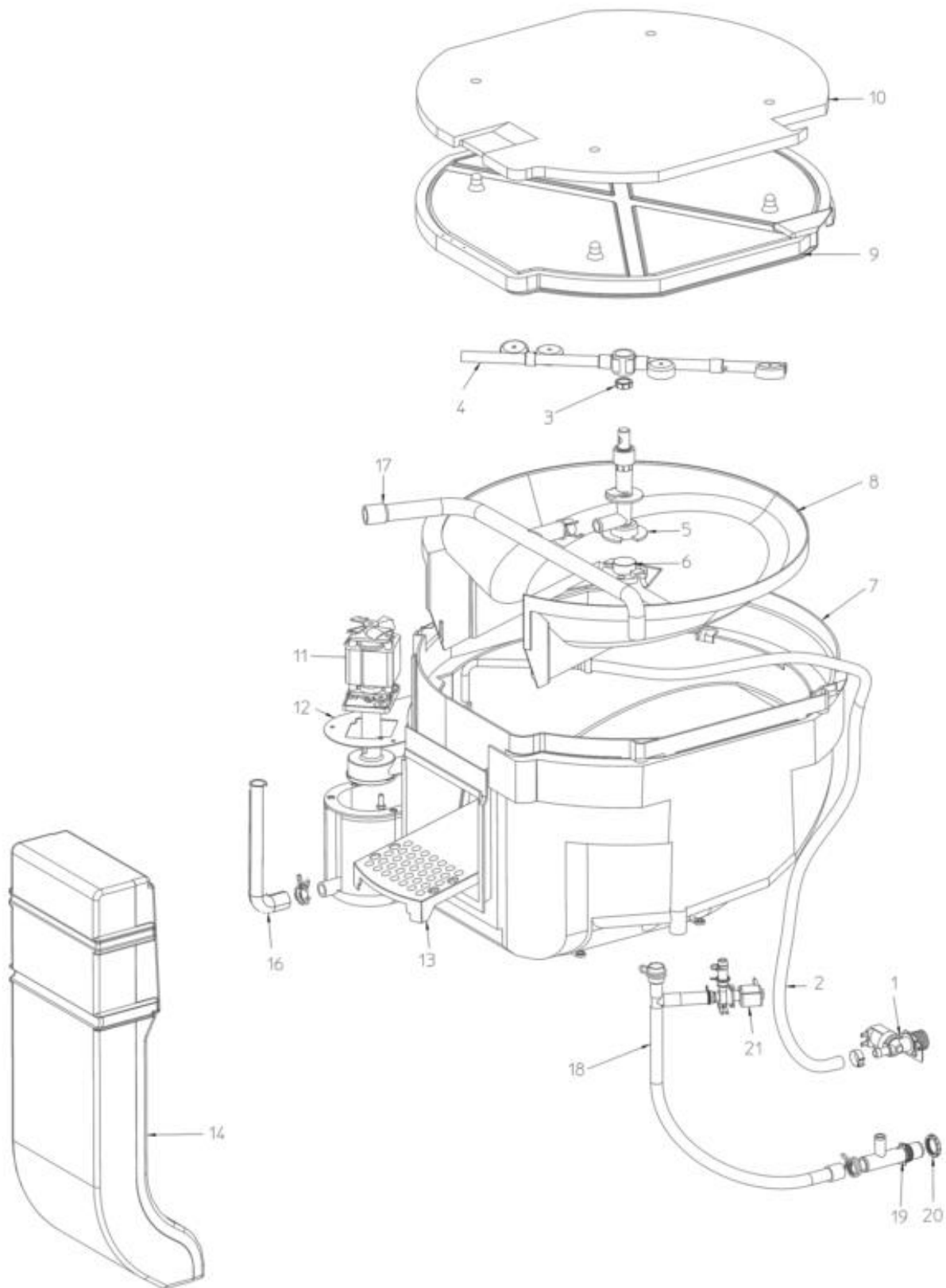
Pos	Code	Description
0001	791160 00R	UNIT FRAME
0002	722816 00	FRONT PANEL
0003	722819 00	UPPER REAR PANEL
0004	722815 00	LEFT PANEL
0005	722814 00	RIGHT PANEL
0006	722817 00	TOP PANEL
0007	722818 00	LOWER REAR PANEL
0008	705272 00	BRACKET
0009	705268 00	ELECTRICAL BOX
0010	724545 00	PCB BRACKET
0011	661142 00	PLASTIC BRACKET
0012	702786 00	SUPPORT EVAPORATOR
0013	651513 00	LABEL
0014	620487 00	MASTER LIGHTED SWITCH
0014	661121 01	SWITCH FRAME
0015	661144 00	AIR FILTER
0016	661143 00	AIR FILTER FRAME



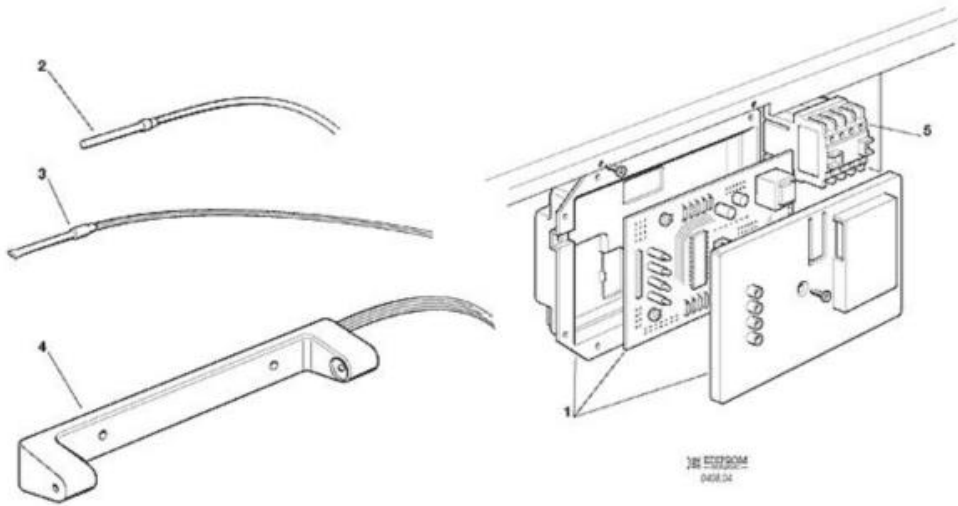
Pos	Code	Description
0001	670099 04	COMPRESSOR - 230/50/1
0002	630137 02	MECHANICAL FILTER
0003	620419 65	FAN MOTOR BRACKET
0004	620434 00	AIR COOLED CONDENSER
0005	670006 01	FILTER
0006	620058 78	PROTECTOR MST 000ALKD
0007	620306 46	HOT GAS VALVE BODY
0007	620306 48	COIL - 230/50-60
0008	620167 21	CAPACITOR - 15 MFD/400V
0009	620057 46	RELAY - 230/50
0010	620167 00	START CAPACITOR 88-108MFD/330V
0011	784816 01R	SUCTION LINE ASSY
0012	650109 00	VALVE BODY
0013	670012 00	VALVE CORE
0014	650106 00	CAP
0015	620419 04	FAN MOTOR - 230/50-60
0016	620419 34	FAN BLADE - 50HZ
0017	784435 06	EVAPORATOR ASSY "M"



Pos	Code	Description
0001	670099 04	COMPRESSOR - 230/50/1
0002	630020 02	MECHANICAL FILTER
0003	630137 02	MECHANICAL FILTER
0004	620495 00	WATER COOLED CONDENSER
0005	670006 01	FILTER
0006	620058 78	PROTECTOR MST 000ALKD
0007	620306 46	HOT GAS VALVE BODY
0007	620306 48	COIL - 230/50-60
0008	620167 21	CAPACITOR - 15 MFD/400V
0009	620057 46	RELAY - 230/50
0010	620167 00	START CAPACITOR 88-108MFD/330V
0011	400031 01	WASHER
0012	733204 00	WATER INLET FITTING
0013	400085 00	NUT
0014	733208 02	COUPLING
0015	620111 00	WATER REGUL. VALVE
0016	733205 04	WATER INLET FITTING
0017	400052 00	WASHER
0018	400053 00	NUT
0019	784435 06	EVAPORATOR ASSY "M"
0020	784816 01R	SUCTION LINE ASSY
0021	650109 00	VALVE BODY
0022	670012 00	VALVE CORE
0023	650106 00	CAP



Pos	Code	Description
0001	650105 54	INLET VALVE - 230/50 - 60
0002	281900 01	TUBE 16X10
0003	440013 06	TRUST WASHER
0004	793127 03	SPRAY BAR
0005	660475 00	BEARING
0006	660483 00	PLASTIC FLANGE
0007	784344 00R	SUMP & FREEZING CHAMBER
0008	660487 00	INNER BOTTOM
0009	660491 00	EVAPORATOR COVER
0010	650538 00	INSULATION
0011	620430 00	WATER PUMP 230/50
0012	723132 05	PUMP BRACKET
0013	660488 00	MOBILE BOTTOM
0014	660135 00	ICE CHUTE
0016	610148 10	TUBE
0017	610188 00	TUBE
0018	610236 00	TUBE
0019	660224 02	DRAIN FITTING
0020	660535 00	PLASTIC NUT
0021	620460 00	WATER DRAIN VALVE



Pos	Code	Description
0001	620462 11	PC BOARD – 230V
0002	620519 01	EVAPORATOR SENSOR
0003	620519 04	CONDENSER SENSOR
0004	650674 07	ICE LEVEL SENSOR
0005	0	Not Present