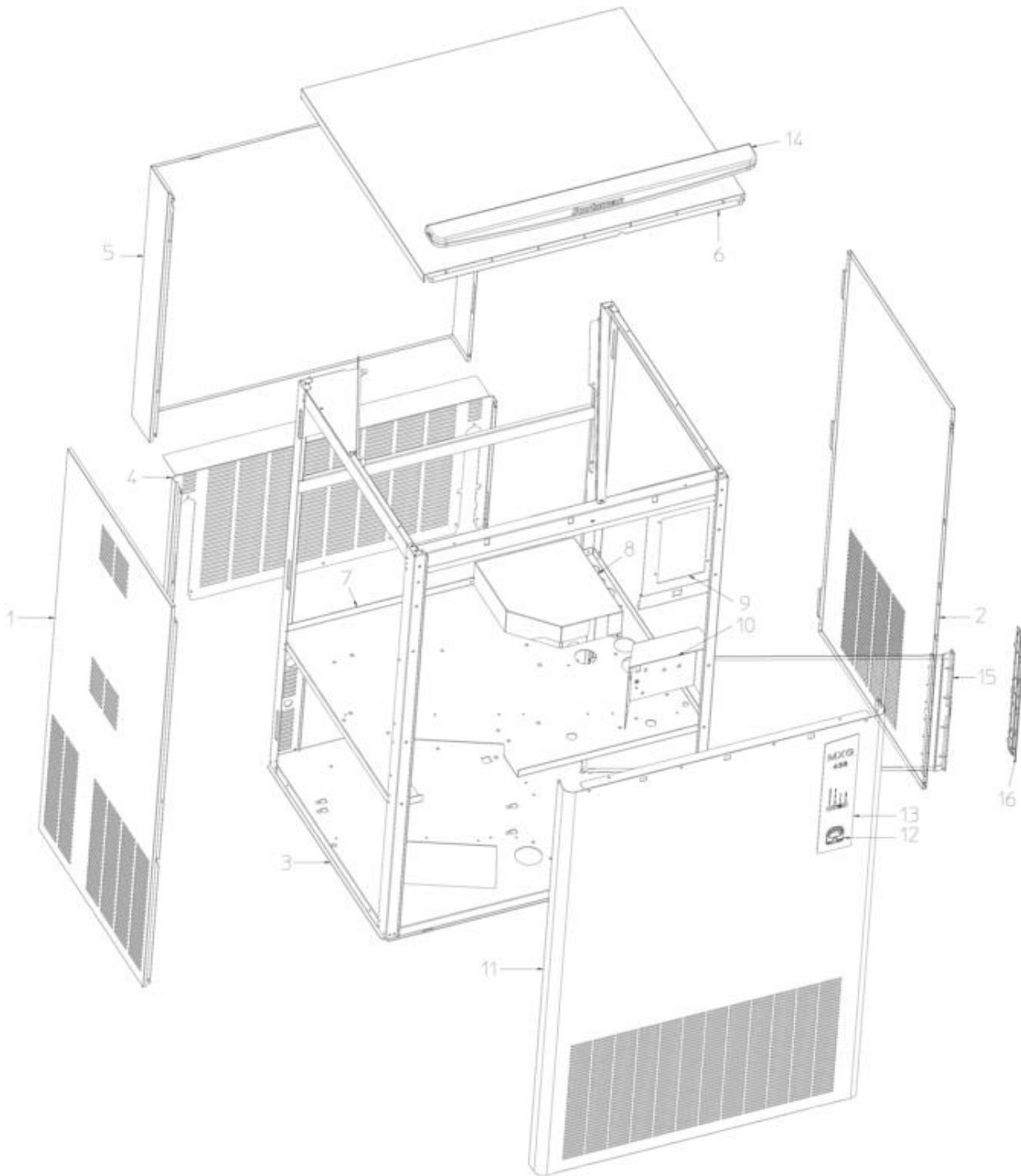
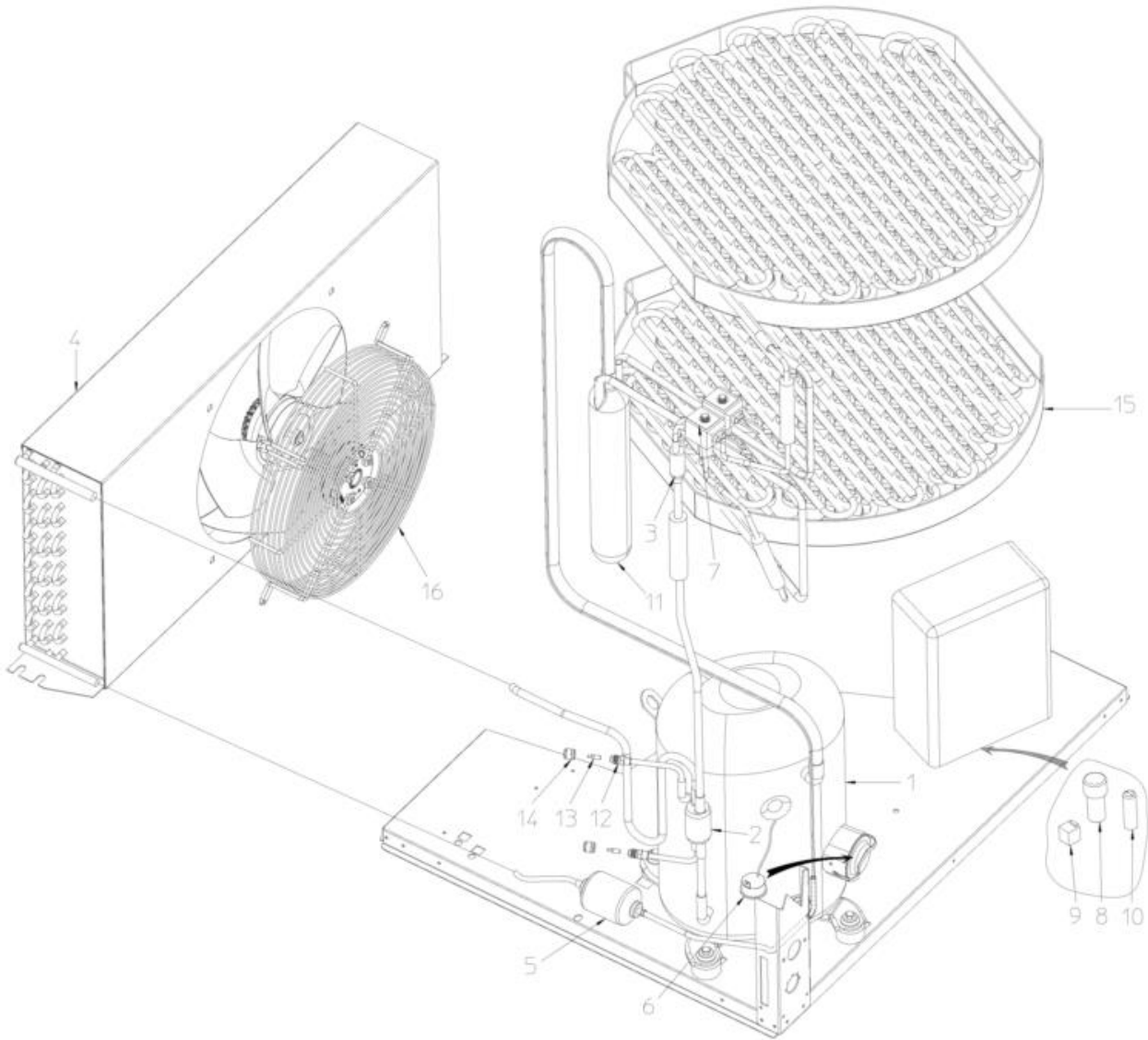


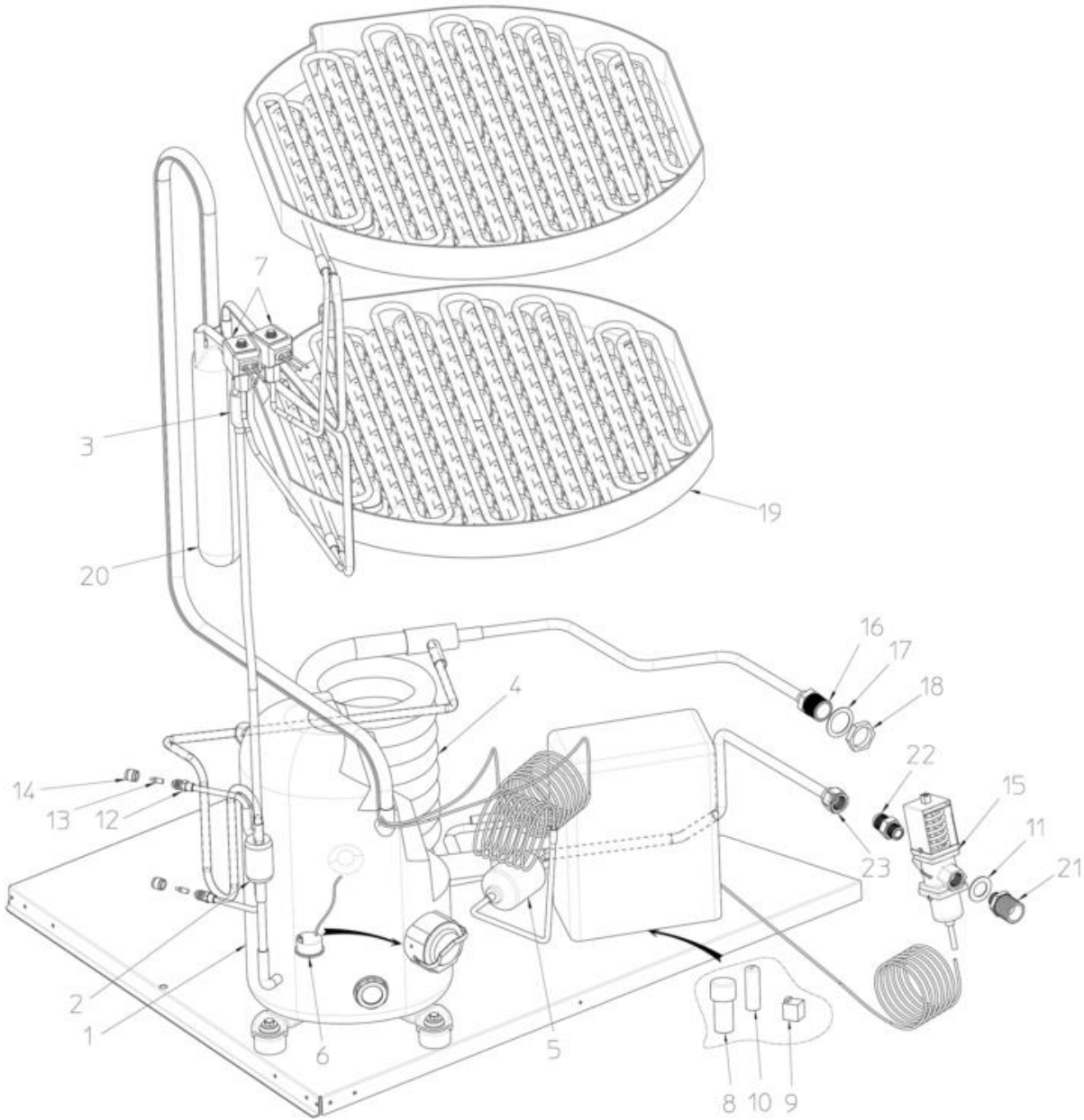
- 
- 1 UNIT PANELS
  - 2 REFRIGERANT SYSTEM AIR COOL
  - 3 REFRIGERANT SYSTEM WATER COOLED
  - 4 WATER SYSTEM
  - 5 P.C. BOARD AND SENSORS ASSY



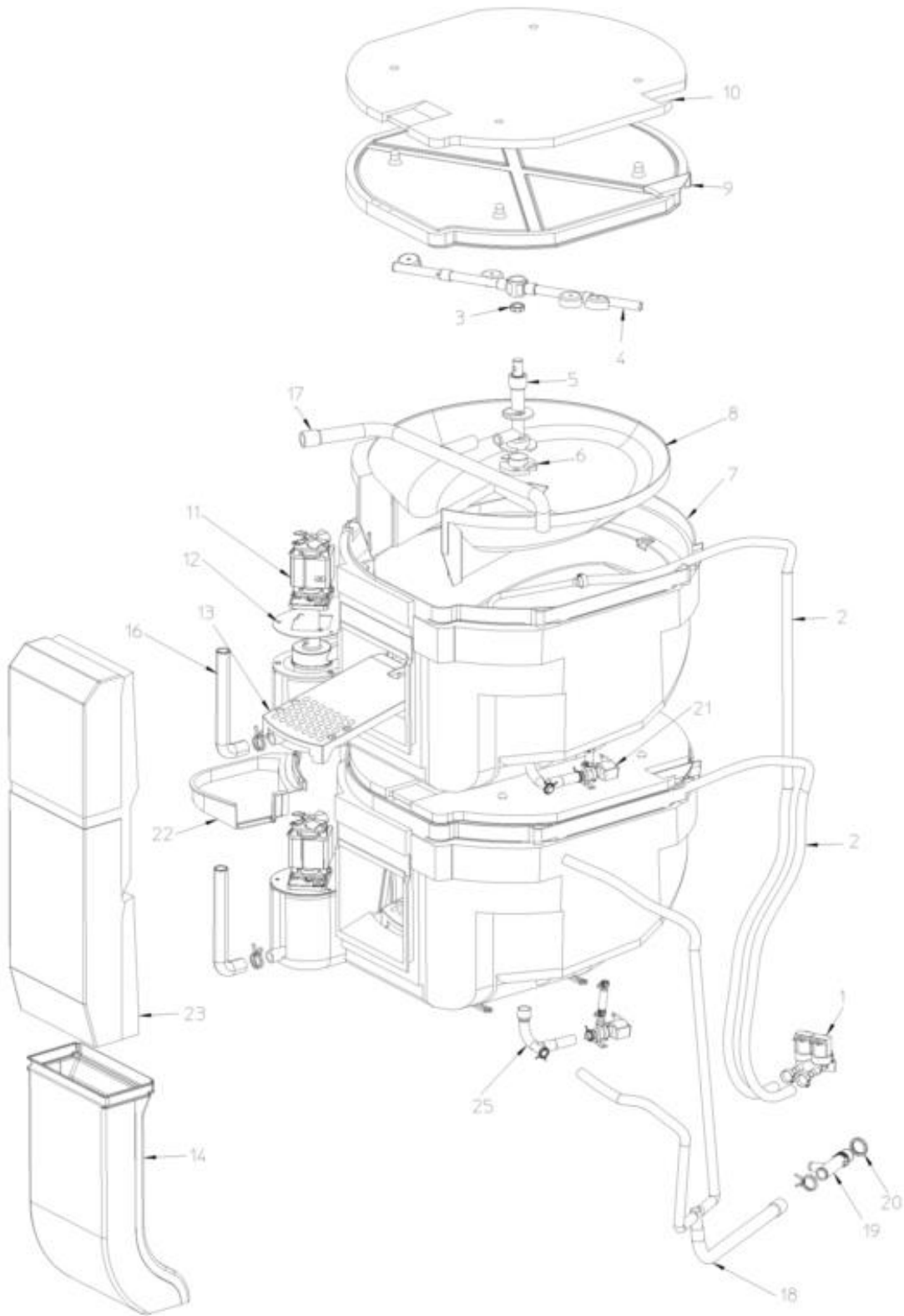
| Pos  | Code       | Description              |
|------|------------|--------------------------|
| 0001 | 722843 00  | LEFT SIDE PANEL          |
| 0002 | 722844 00  | RIGHT SIDE PANEL         |
| 0003 | 791161 00R | UNIT FRAME               |
| 0004 | 722846 00  | LOWER REAR PANEL         |
| 0005 | 722845 00  | UPPER REAR PANEL         |
| 0006 | 722847 00  | TOP PANEL                |
| 0007 | 704346 00  | EVAPORATOR SUPPORT       |
| 0008 | 705273 00  | COMPRESSOR COVER BRACKET |
| 0009 | 724549 00  | PCB BRACKET              |
| 0010 | 705275 00  | ELECTRIC BOX             |
| 0011 | 722842 00  | FRONT PANEL              |
| 0012 | 620487 00  | MASTER LIGHTED SWITCH    |
| 0012 | 661121 00  | PLASTIC PROTECTION       |
| 0013 | 651513 03  | LABEL                    |
| 0014 | 661142 01  | PLASTIC BRACKET          |
| 0015 | 793242 00R | AIR FILTER               |
| 0016 | 661150 00  | FILTER FRAME             |



| Pos  | Code       | Description              |
|------|------------|--------------------------|
| 0001 | 670098 01  | COMPRESSOR - 230/50/1    |
| 0002 | 630137 02  | MECHANICAL FILTER        |
| 0003 | 630020 02  | MECHANICAL FILTER        |
| 0004 | 620567 00  | AC CONDENSER             |
| 0005 | 670006 01  | FILTER                   |
| 0006 | 0          | Not Present              |
| 0007 | 620306 46  | HOT GAS VALVE BODY       |
| 0007 | 620306 48  | COIL - 230/50-60         |
| 0008 | 620167 48  | CAPACITOR - 156 MFD/330V |
| 0009 | 620057 43  | RELAY - 230/50           |
| 0010 | 620167 24  | CAPACITOR 35MFD/400V     |
| 0011 | 784822 01R | SUCTION LINE ASSY        |
| 0012 | 650109 00  | VALVE BODY               |
| 0013 | 670012 00  | VALVE CORE               |
| 0014 | 650106 00  | CAP                      |
| 0015 | 784435 07  | EVAPORATOR ASSY          |
| 0016 | 620568 00  | FAN MOTOR ASSY           |

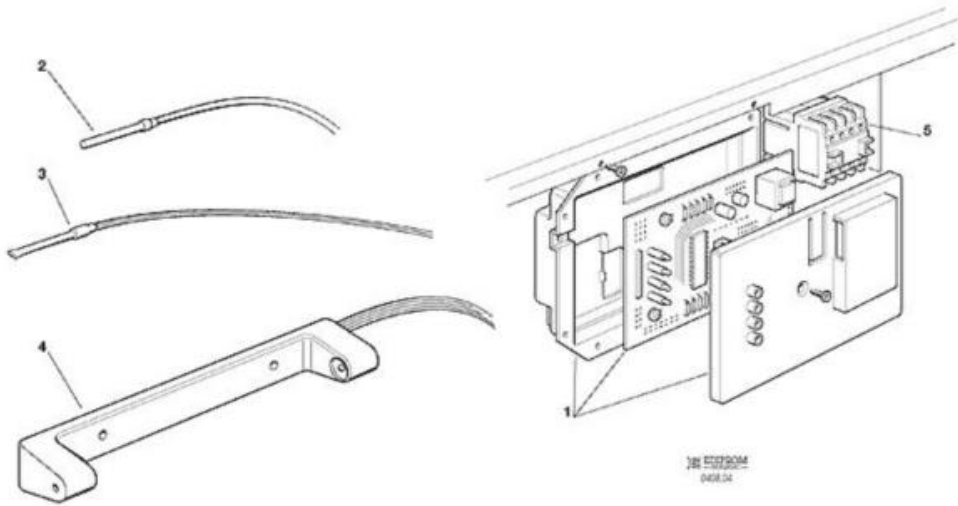


| Pos  | Code       | Description              |
|------|------------|--------------------------|
| 0001 | 670098 01  | COMPRESSOR - 230/50/1    |
| 0002 | 630137 02  | MECHANICAL FILTER        |
| 0003 | 630020 02  | MECHANICAL FILTER        |
| 0004 | 620495 01  | WATER COOLED CONDENSER   |
| 0005 | 670006 01  | FILTER                   |
| 0006 | 0          | Not Present              |
| 0007 | 620306 46  | HOT GAS VALVE BODY       |
| 0007 | 620306 48  | COIL - 230/50-60         |
| 0008 | 620167 48  | CAPACITOR - 156 MFD/330V |
| 0009 | 620057 43  | RELAY - 230/50           |
| 0010 | 620167 24  | CAPACITOR 35MFD/400V     |
| 0011 | 400031 01  | WASHER                   |
| 0012 | 650109 00  | VALVE BODY               |
| 0013 | 670012 00  | VALVE CORE               |
| 0014 | 650106 00  | CAP                      |
| 0015 | 620111 00  | WATER REGUL. VALVE       |
| 0016 | 733205 04  | WATER INLET FITTING      |
| 0017 | 400052 00  | WASHER                   |
| 0018 | 400053 00  | NUT                      |
| 0019 | 784435 07  | EVAPORATOR ASSY          |
| 0020 | 784822 01R | SUCTION LINE ASSY        |
| 0021 | 733204 00  | WATER INLET FITTING      |
| 0022 | 733208 02  | COUPLING                 |
| 0023 | 400085 00  | NUT                      |





| Pos  | Code       | Description             |
|------|------------|-------------------------|
| 0001 | 650105 53  | WATER SOL. VALVE        |
| 0002 | 281900 01  | TUBE 16X10              |
| 0003 | 440013 06  | TRUST WASHER            |
| 0004 | 793127 03  | SPRAY BAR               |
| 0005 | 660475 00  | BEARING                 |
| 0006 | 660483 00  | PLASTIC FLANGE          |
| 0007 | 784344 00R | SUMP & FREEZING CHAMBER |
| 0008 | 660487 00  | INNER BOTTOM            |
| 0009 | 660491 00  | EVAPORATOR COVER        |
| 0010 | 650538 00  | INSULATION              |
| 0011 | 620430 00  | WATER PUMP 230/50       |
| 0012 | 723132 05  | PUMP BRACKET            |
| 0013 | 660488 00  | MOBILE BOTTOM           |
| 0014 | 661135 02  | ICE CHUTE               |
| 0016 | 610148 10  | TUBE                    |
| 0017 | 610188 00  | TUBE                    |
| 0018 | 610237 00  | TUBE                    |
| 0019 | 660224 02  | DRAIN FITTING           |
| 0020 | 660535 00  | PLASTIC NUT             |
| 0021 | 620460 00  | WATER DRAIN VALVE       |
| 0022 | 660538 01  | PLASTIC PROTECTION      |
| 0023 | 660477 06  | CHUTE                   |
| 0025 | 610238 00  | TUBE                    |



| Pos  | Code      | Description       |
|------|-----------|-------------------|
| 0001 | 620462 11 | PC BOARD – 230V   |
| 0002 | 620519 01 | EVAPORATOR SENSOR |
| 0003 | 620519 04 | CONDENSER SENSOR  |
| 0004 | 650674 07 | ICE LEVEL SENSOR  |
| 0005 | 630148 00 | CONTACTOR         |